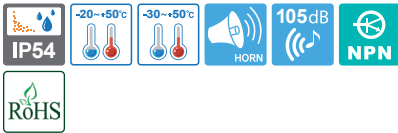


S100D series



Various built-in sound tones of warning sounds, alarms and melodies



S100DLR



S100DL/ S100DS



S100D

Signal/ Warning Light and Electric Horn Combinations

Common Specifications(S100DLR/ S100DL/ S100DS/ S100D)

- Ø100mm signal/warning lights and electric horn combination provides both audible and visual signaling capability in one unit
- Can select the proper signaling effect from a variety of light sources and sound tones
- Materials : Lens-AS, Housing-ABS, Reflector-Heat resistant ABS
- Protection rating : IP54
- Compliant with RoHS directive (S100DLR/ S100DL)

S100DLR LED Revolving Light & Electric Horn

- Revolving speed : 120-140RPM
- Ambient operating temperature : -20°C to +50°C

| Model number | Voltage | Current | Sound Pattern and Volume | Certificates | Weight | Color |
|--------------|---------|---------|--|----------------------|--------|---|
| S100DLR | DC12V | 0.483A | <ul style="list-style-type: none"> • WS-5 Warning sounds : 105dB • WM-5 Melodies : 105dB • WA-5 Alarms : 103dB • WV-5 Customizable sounds : 95dB | CE DC24V, AC only | 0.89kg | <ul style="list-style-type: none"> • R-Red • A-Amber • G-Green • B-Blue |
| | DC24V | 0.327A | | | 0.89kg | |
| | AC110V | 0.120A | | | 1.27kg | |
| | AC220V | 0.060A | | | 1.27kg | |

S100DL LED Steady/Flashing Light & Electric Horn

- Flashing rate : 60-80 flashes/min
(Built-in switch for selection between steady and flashing mode)
- Ambient operating temperature : -30°C to +50°C
- Certificates : CE Compliant

| Model number | Voltage | Current | Sound Pattern and Volume | Certificates | Weight | Color |
|--------------|---------|----------------|--|----------------------|--------|---|
| S100DL | DC12V | Max. 0.410A | <ul style="list-style-type: none"> • WS-5 Warning sounds : 105dB • WM-5 Melodies : 105dB • WA-5 Alarms : 103dB • WV-5 Customizable sounds : 95dB | CE DC24V, AC only | 0.95kg | <ul style="list-style-type: none"> • R-Red • A-Amber • G-Green • B-Blue |
| | -24V | | | | 1.16kg | |
| | AC110V | 0.115A | | | 1.16kg | |
| | AC220V | 0.060A | | | 1.16kg | |

S100DS Xenon Lamp Strobe Light & Electric Horn

- Flashing rate : 60-80 flashes/min
- Ambient operating temperature : -30°C to +50°C

| Model number | Voltage | Current | Sound Pattern and Volume | Certificates | Weight | Bulb | Color |
|--------------|---------|---------|--|----------------------|--------|------|---|
| S100DS | DC12V | 1.330A | <ul style="list-style-type: none"> • WS-5 Warning sounds : 105dB • WM-5 Melodies : 105dB • WA-5 Alarms : 103dB • WV-5 Customizable sounds : 95dB | CE DC24V, AC only | 0.76kg | 48 | <ul style="list-style-type: none"> • R-Red • A-Amber • G-Green • B-Blue |
| | -24V | | | | 1.21kg | | |
| | AC110V | 0.230A | | | 1.21kg | | |
| | AC220V | 0.155A | | | 1.21kg | | |

S100D Bulb Revolving Light & Electric Horn

- Revolving Speed : 120-140RPM
- Ambient operating temperature : -20°C to +50°C
- Certificates : CE Compliant

| Model number | Voltage | Current | Bulb | | | Sound Pattern and Volume | Certificates | Weight | Color |
|--------------|---------|---------|--------|------------|----------|--|----------------------|--------|---|
| | | | Spec | Standard | Parts no | | | | |
| S100D | DC12V | 1.266A | 12V10W | T16x35 15S | 9 | <ul style="list-style-type: none"> • WS-5 Warning sounds : 105dB • WM-5 Melodies : 105dB • WA-5 Alarms : 103dB • WV-5 Customizable sounds : 95dB | CE DC24V, AC only | 0.96kg | <ul style="list-style-type: none"> • R-Red • A-Amber • G-Green • B-Blue |
| | DC24V | 0.766A | 24V10W | T16x35 15S | 10 | | | 0.96kg | |
| | AC110V | 0.187A | 12V10W | T16x35 15S | 9 | | | 1.38kg | |
| | AC220V | 0.094A | 12V10W | T16x35 15S | 9 | | | 1.38kg | |

※ Please refer to Page144 for detailed specification of sound tones.

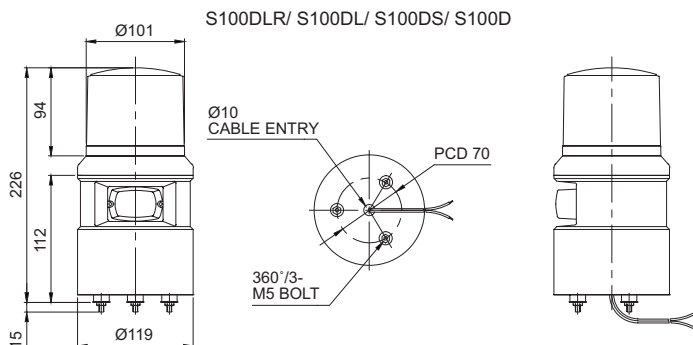
S100D series

Signal/ Warning Light and Electric Horn Combinations



Technical Diagram

(Units : mm)



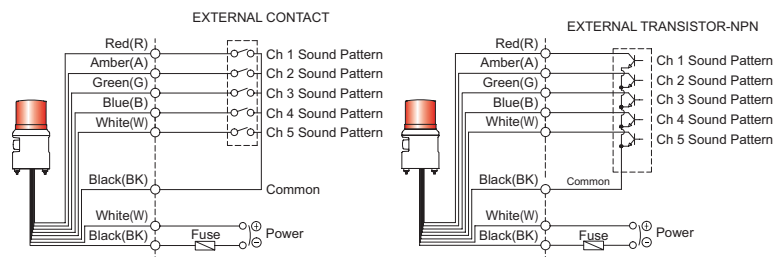
- S100D series come with prerecorded sounds.
- For WV(5Customized sounds)type, Input audio message needs to be provide by the customer prior to manufacturing.
- S100DL model wiring can be done with either external transistor wiring.
- In case of wiring by using transistor, NPN transistor is needed and follow the wiring diagram on the right in order to wire properly.



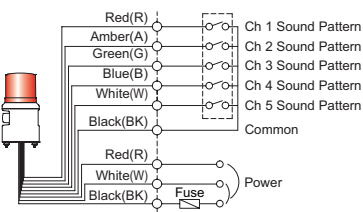
Wiring Instructions

S100DLR/S100DL/S100DS/S100D-DC/AC

S100DL-DC/AC



S100D/S100DLR-AC compatible type



S100D applied to a metallic mold machine.

- External power line standard : UL1015 AWG18(0.75sq)×2C 400mm
- External signal line standard : UL1007 AWG22(03sq) 400mm
- S100D, S100DLR : Black output line is negative(-)
- AC compatible type shall be connected the black and white wires when using AC110V, and the black and red wires when using AC220V.



Do not apply voltage to each signal line. It may cause damage to the product.

By default the warning light is turned on when the power is supplied, the voice/ alarm output is powered on by a separate connection. Please wire properly.



Ordering Specification

| S100D | - | WA | - | 220 | - | R |
|--|---|--|---|---|---|---|
| [Model number] | | [Sound] | | [Voltage] | | [Color] |
| <ul style="list-style-type: none"> • S100DLR • S100DL • S100DS • S100D | | <ul style="list-style-type: none"> • WS-Warning • WM-Melody • WA-Alarm • WV-Customizable sound | | <ul style="list-style-type: none"> • 12-DC12V • 24-DC24V • 12/24-DC12V-24V (S100DL, S100DS only) • 110-AC110V • 220-AC220V | | <ul style="list-style-type: none"> • R-Red • A-Amber • G-Green • B-Blue |