

# SRN/SEN15/SEN25

## General Electric Horns



### Common Specifications(SRN/ SEN15/ SEN25)

- Cost effective model with high signal sound
- A variety of sound selections between warning sounds, alarm sounds, melodies and voice messages to fit your sophisticated application needs
- User defined voice signal type(WV) shall be provided upon request
- Can adjust sound volume with the switch built inside the unit
- Materials : Housing-ABS(Standard Color : Red)
- Ambient operating temperature : -25°C to +50°C
- Protection rating : IP55
- Certificates : CE Compliant

108dB



**SRN**

### SRN Max 108dB

Model number	Built-in Sound	dB	Voltage	Current	Certificate	Weight
SRN	WS 5 Warnings	108dB	DC12V-24V AC110V AC220V	Max.0.320A 0.075A 0.035A	 DC only	DC-0.72kg AC-0.98kg
	WM 5 Melodies	108dB				
	WA 5 Alarms	105dB				
	WV 5 Voices	98dB				

108dB

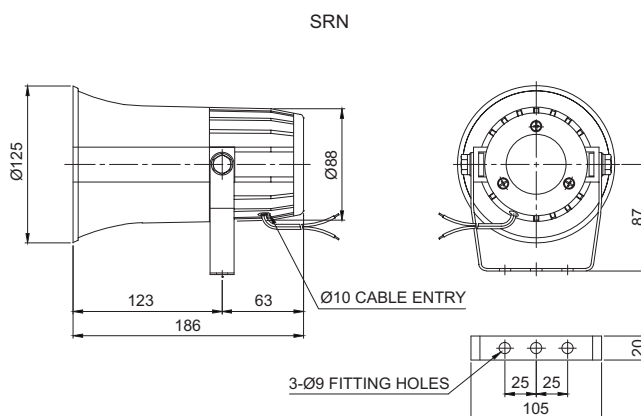


**SEN15**



### Technical Diagram

(Units : mm)



SRN

115dB



**SEN25**

### SEN15 Max 108dB

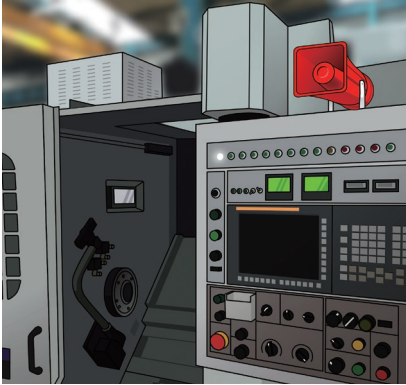
Model number	Built-in Sound	dB	Voltage	Current	Certificate	Weight
SEN15	WS 5 Warnings	108dB	DC12V-24V AC110V AC220V	Max.0.370A 0.080A 0.040A		DC-0.76kg AC-1.03kg
	WM 5 Melodies	108dB				
	WA 5 Alarms	105dB				
	WV 5 Voices	98dB				

### SEN25 Max 115dB

Model number	Built-in Sound	dB	Voltage	Current	Certificate	Weight
SEN25	WS 5 Warnings	115dB	DC12V DC24V AC110V AC220V	2.211A 1.022A 0.226A 0.113A		DC-0.95kg AC-1.23kg
	WM 5 Melodies	115dB				
	WA 5 Alarms	113dB				
	WV 5 Voices	108dB				

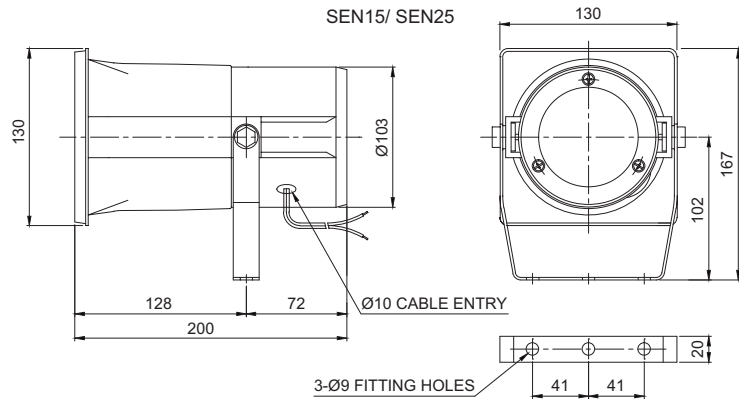
# SRN/SEN15/SEN25

## General Electric Horns



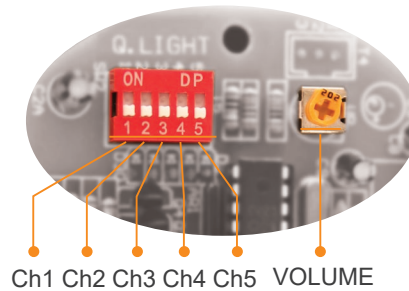
### Technical Diagram

(Units : mm)



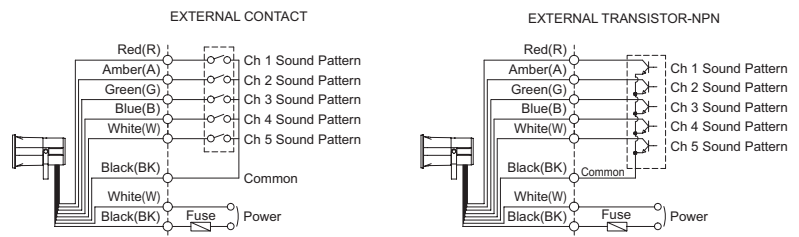
### Sound Selection and Wiring Instructions

- Standard : Internal switch
- Internal switch allows to choose sound pattern for SRN/SEN15/SEN25 models



- External Power Line, Threading type : Standard VCTF(0.75sq×2C)×400mm
- LC type signal line : UL1007 AWG22(0.3sq) 400mm
- Product can be wired regardless of polarity

SRN/ SEN15/ SEN25-DC/AC



### Customization

- Customized type: Select using the external contact(LC)
- You can select the audible sound pattern using external contacts or transistor with a customized external sound line(Model number : -LC)



### Ordering Specification

<b>SRN</b>	-	<b>WS</b>	-	<b>220</b>	-	<b>LC</b>
[Model number]		[Sound]		[Voltage]		[Sound selection]
<ul style="list-style-type: none"> <li>• SRN</li> <li>• SEN15</li> <li>• SEN25</li> </ul>		<ul style="list-style-type: none"> <li>• WS-5 Warnings</li> <li>• WM-5 Melodies</li> <li>• WA-5 Alarms</li> <li>• WV-5 Voices</li> </ul>		<ul style="list-style-type: none"> <li>• 12-DC12V</li> <li>• 24-DC24V</li> <li>• 12/24-DC12V-24V (SRN, SEN15 only)</li> <li>• 110-AC110V</li> <li>• 220-AC220V</li> </ul>		<ul style="list-style-type: none"> <li>• None</li> <li>- Internal Switch</li> <li>• LC</li> <li>- External Contact</li> </ul>