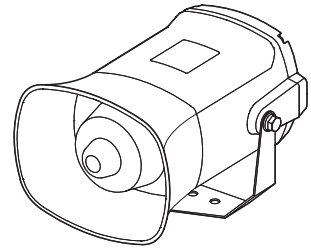


# Self-Standing Multifunctional Electric Sounder

## SMP35-N/ SMP50-N



Thank you for purchasing Qlight's products. Please read this user manual carefully prior to installation and operation to ensure safe and correct use.

### ⚠ Precautions for Safety

Failure to follow the instructions below may cause a loss of life or serious physical injury.

1. During wiring or maintenance, please completely turn off the power of the product. (Failure to follow this may lead to an electric shock.)
2. Do not install the product in locations that subjects it to excessive dust or water other than the conditions designated by the IP protection ratings indicated for each product. (Failure to follow these instructions may cause a fire to the product, electric shock, physical injury, malfunction or damage to the product.)
3. Do not alter or repair this product. If maintenance or repair service is required, please contact your local Qlight contact point. (Failure to follow these instructions may lead to fire, electric shock, or product damage.)
4. Please apply the correct voltage to the product. (Failure to follow these instructions may lead to fire, electric shock, or product damage.)
5. When the product is applied to a condition that may impact lives or property, please make sure to have a double safety device. (Failure to follow this may cause damage to property, fire, electric shock and loss of life.)

### ⚠ Precautions for Correct Use

Failure to follow the proper instructions may cause damage to property, the product, or malfunction of the product that would void the warranty.

1. Please remove any objects that can interrupt ventilation around the product.
2. Please turn off the power of the product immediately if it fails to operate properly.
3. Carefully wire the product according to each product's specification.
4. Please be careful in preventing chemicals such as thinner, benzene, etc. in contact with the surface of the product.
5. Do not apply excessive force/impact to the product.
6. Failure to follow any of the instructions above may cause malfunction or damage to the product, fire, and electric shock.

### Ordering Specifications

SMP50-N	110/220	LC
[Model number]	[Voltage]	[Sound selection]
• SMP35-N	• 12/24-DC12V~24V	• (Blank)
• SMP50-N	• 110/220	• -Built-in switch
	• -AC110V~220V	• LC
		• -External contact

### Product Specifications

Model number	Voltage	Current	Sound pattern and volume	Certificate	Weight
SMP35-N	DC12~24V	Max.0.680A	• Bit Input : 5Ch • Binary Input : 30Ch • Built-in sounds : Max.115dB (Based on WS-Ch6)	CE	0.76kg
	AC110V~220V	Max.0.170A			1.03kg
SMP50-N	DC12~24V	Max.2.800A	• Bit Input : 5Ch • Binary Input : 30Ch • Built-in sounds : Max.123dB (Based on Ch4)		0.95kg
	AC110V~220V	Max.0.540A			1.23kg

• Protection rating : IP65

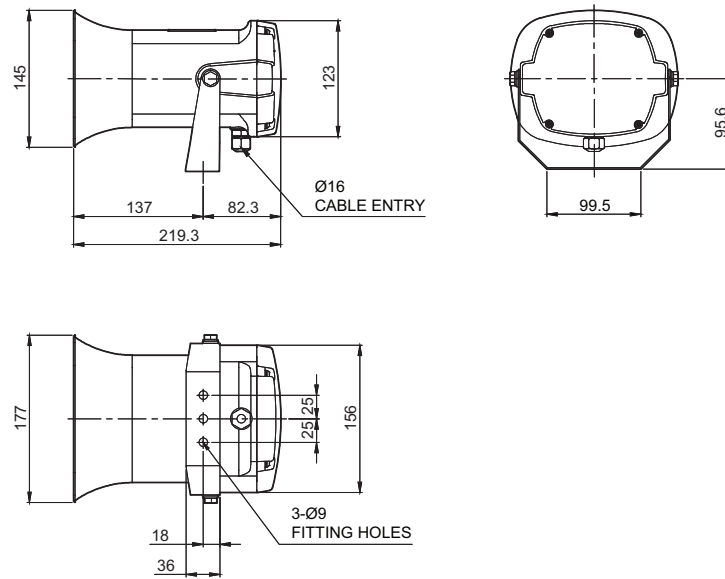
• Ambient operating temperature : -25°C to +50°C



Please scan the QR code for more detailed product information.

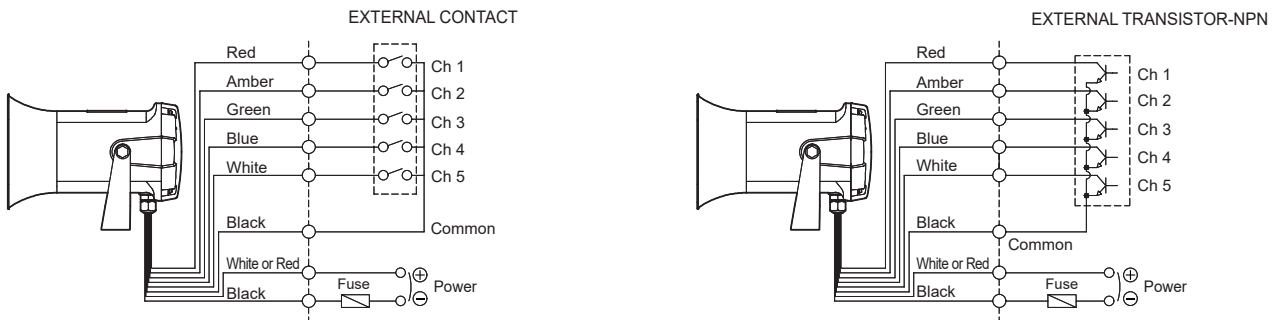
[www.qlight.com](http://www.qlight.com)

SMP35-N/ SMP50-N



Wiring Instructions

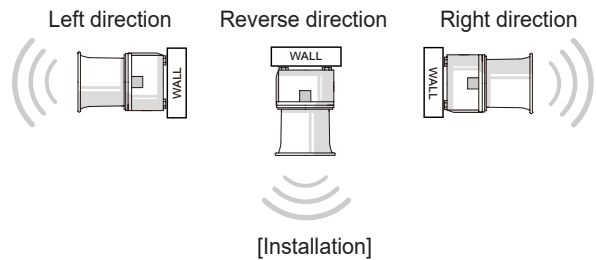
SMP35-N/ SMP50-N-DC/AC



- Standard model uses built-in switch to select sounds.
- Sound signal line model is available upon request if wiring with either external contact or NPN transistor is needed.
- External power line - UL1015 AWG18(0.75sq) x 2C 400mm
- External signal line - UL1007 AWG22(0.3sq) 400mm
- For DC type, the polarity of black line is negative(-).
- In bit input mode, total of 5 sound options are configurable. In binary input mode, total 30 of sound options are configurable.

Precautions for installation

- In case of outdoor applications, install the product in the upright position. Do not install the product horizontal or upside-down positions where water can potentially penetrate into the product and impact it's operation.

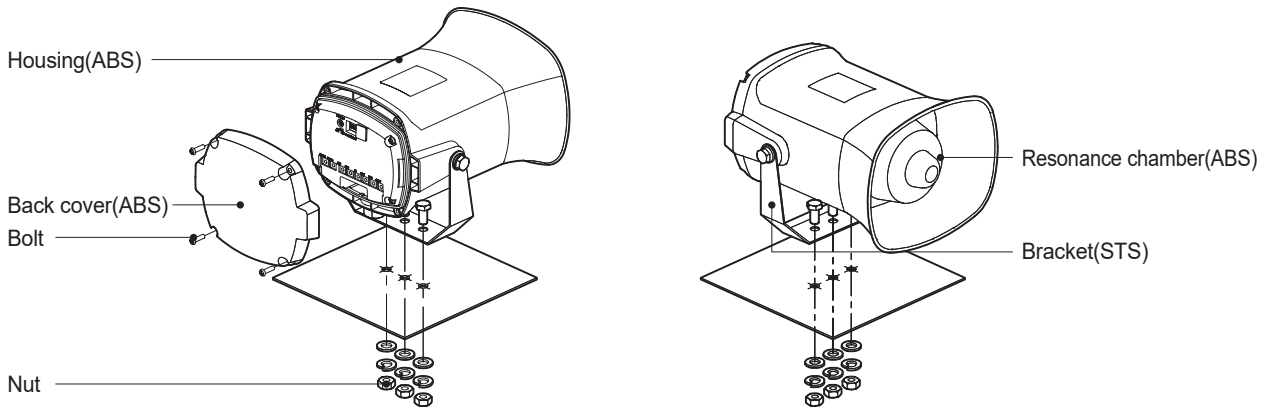


Installation Environment and Protection Rating

- This product is designed for use with protection rating of IP65.
- If the product is installed in locations that subject it to excessive dust or water other than the designated IP protection rating indicated(IP65), it may cause malfunction or damage to the product.
- For further information, please visit our website(www.qlight.com).

## Parts Definition/ Installation

SMP35-N/ SMP50-N



- First, machine taps or holes on the mounting surface.
- The mounting hole of this product is 9mm in diameter.
- When machining taps, fasten the bolt through the mounting hole of the product.
- When machining holes, insert the bolt through the hole of the product, and tighten the nut from the opposite side of the mounting surface.
- Install a flat washer and a spring washer to the bolt if the product can experience severe vibration and shock.

## Bit/ Binary Input Method Using Rear Terminal Block

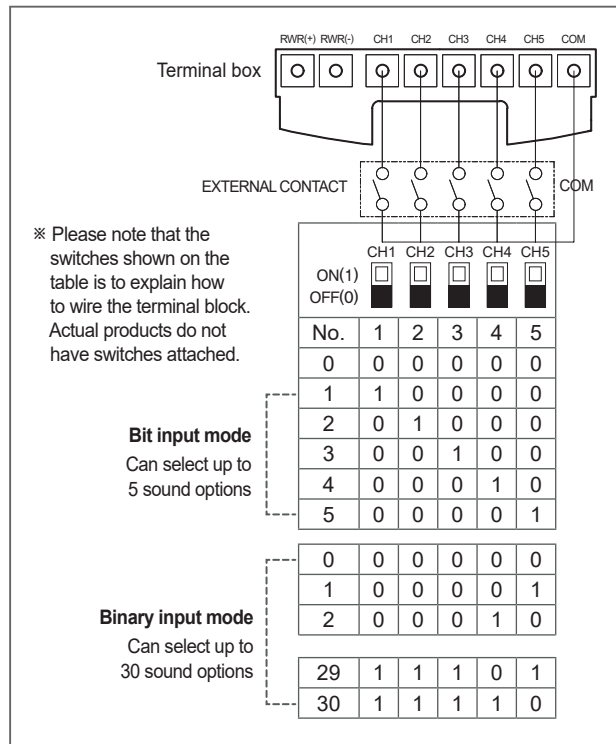
### ■ Bit Input Mode

- Bit input mode(using external line) allows you to select one of five sound options by switching on one of the 5 channels (Ch1 - Ch5).
- Total of 5 sound options are configurable.

### ■ Binary Input Mode

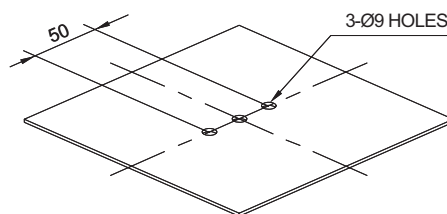
- Binary input mode(using external line) allows you to receive multiple inputs by using the 5 channels(Ch1 - Ch5) to configure one of 30 sound options.
- Total of 30 sound options are configurable.

- **Wiring through terminal block with either external contact or NPN transistor allows either bit or binary input method for sound channel selection.**



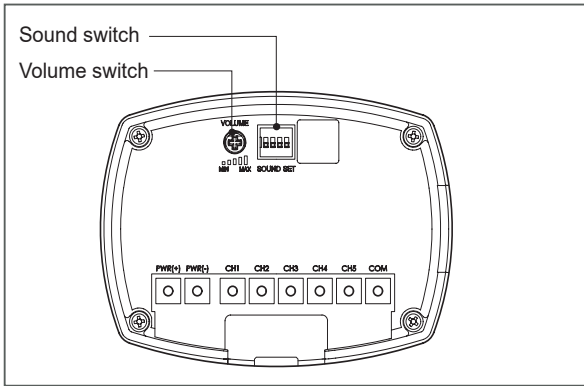
## Mounting Hole Specifications

- Machine holes on the mounting surface referring to the diagram below.

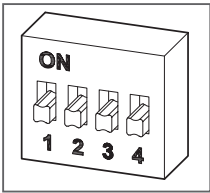


SMP35-N/ SMP50-N

## Rear Control Configuration



## Sound Setting



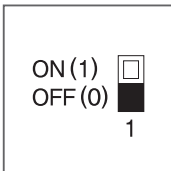
- Built-in sounds can be selected by using a switch either bit or binary sounds.
- Please be conscious of the number selected for your desired sound option.
- Switch No. 1 : Select Bit or Binary
- Switch No. 2,3,4 : Select Built-in sound group

### Select built-in Bit sound group

- It is being used when built-in sound is selected.
- Select between the six sound groups.
- Every group has 5 type of sounds.

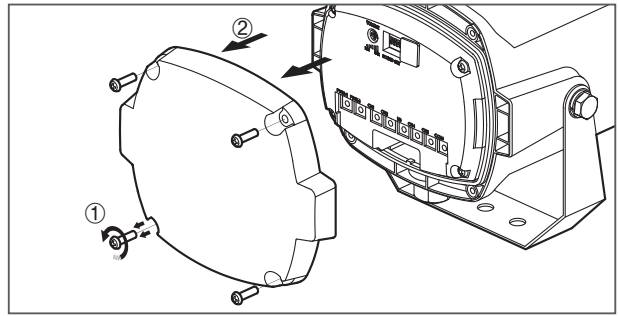
How to select bit type sound group				
ON(1)	<input type="checkbox"/>	<input type="checkbox"/>	<input type="checkbox"/>	Sounds
OFF(0)	2	3	4	
No.	2	3	4	
1	0	0	1	5 Warning Sounds
2	0	1	0	5 Special Warning Sounds (1st Group)
3	0	1	1	5 Melodies
4	1	0	0	5 Alarms
5	1	0	1	5 Special Warning Sounds (2nd Group)
6	1	1	0	5 Special Warning Sounds (3rd Group)

### Select built-in Bit sound group or Binary sound group



- In bit input mode, Please set switch no.1 to off(0).
- In binary input mode, Please set switch no.1 to ON(1).

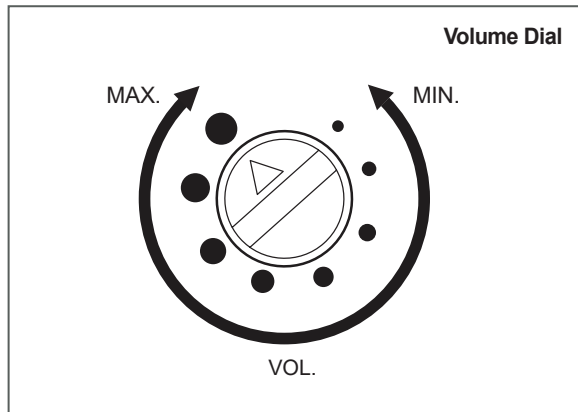
## Rear Cover Removal Instructions



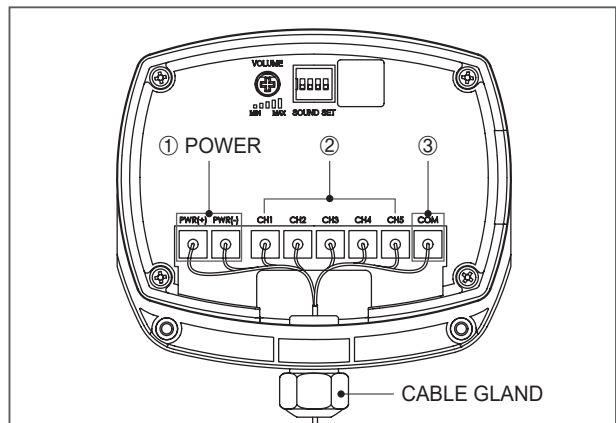
- ① Please loosen and remove the bolts(M4) fixed to the rear cover of the product.
- ② Lightly pull off the rear cover (applying excessive force to the cover can cause a damage to the product).

## Volume Adjustment

- The volume output of this product is adjustable.
- Turn the volume dial clockwise to increase the volume, and turn counter clockwise to decrease the volume.
- There will be no sound when the dial is put at MIN.



## Rear Control Configuration



- ① Terminal for power supply.
- ② Terminal for sound channel selection via either external contact or NPN transistor.
- ③ COM terminal for channel selection via wiring - Please refer to Page 2 "Wiring Instructions".

# Sound Type and Combination Manual

## ■ Bit Input - Playing Built-in Sound

- In bit input mode, you can choose one sound from 30 sounds by configuring the 5 channels.
- This product has a terminal block to select a sound source. For further details, refer to page 5 'Bit/ Binary Input Method using Rear Terminal Block' section of this manual.
- For sound configurations, refer to the table below.

Bit input method sound configuration						Type of sound (WS group as an example)
No.	Ch1	Ch2	Ch3	Ch4	Ch5	
0	0	0	0	0	0	No sound
1	1	0	0	0	0	Fire.A-ANG(560Hz-1.5kHz)
2	0	1	0	0	0	Emergency WA-U (600Hz-1.5kHz)
3	0	0	1	0	0	Ambulance PI-PO (450Hz-900Hz)
4	0	0	0	1	0	Machinery Fault(820Hz)
5	0	0	0	0	1	High Expansion(1kHz)

※ Please be noted that the configuration chart above is explaining how to wire terminal blocks. The actual product does not have a switch.

## ■ Sound Type by Group

Bit input method sound configuration		
Group	Channel	Type of sound
WS	5 Warning Sounds	Ch1 Fire.A-ANG (560Hz-1.5kHz)
		Ch2 Emergency WA-U (600Hz-1.5kHz)
		Ch3 Ambulance PI-PO (450Hz-900Hz)
		Ch4 Machinery Fault (820Hz)
		Ch5 High Expansion (1kHz)
WP	5 Special Warning Sounds (1st Group)	Ch1 Fire.A-ANG (560Hz-1.5kHz)
		Ch2 Abandon Alarm (820Hz)
		Ch3 Machinery Fault (820Hz)
		Ch4 High Expansion (1kHz)
		Ch5 7 Short Pl. / 1 Long (1kHz)
WM	5 Melodies	Ch1 Sweet Home
		Ch2 For Elise
		Ch3 Cuckoo's Waltz
		Ch4 Piano Sonata
		Ch5 Turkish March
WA	5 Alarms	Ch1 Beep Intermittent
		Ch2 Door Chime
		Ch3 Phone Ring
		Ch4 PI.PI.PI Short
		Ch5 Tripping Beat
WO	5 Special Warning Sounds (2nd Group)	Ch1 Rel rel rel (730Hz-920Hz)
		Ch2 Slow Ambulance PI-PO (820Hz-1.05kHz)
		Ch3 Wye yong Wye yong (770Hz-1.2kHz)
		Ch4 Phone ring 2 (740Hz-910Hz)
		Ch5 Fire.A-ANG (770Hz-1.11kHz)
WN	5 Special Warning Sounds (3rd Group)	Ch1 Oit Oit (500Hz-1.11kHz)
		Ch2 Pi o Pi o (940Hz-2.19kHz)
		Ch3 Slow Di o Di o (680Hz-840Hz)
		Ch4 Li long Li ling (420Hz-470Hz)
		Ch5 911 Siren (150Hz-1kHz)

## ■ Binary Input - Playing Built-in Sound

- In binary input mode, you can choose one sound from 30 sounds by configuring the 5 channels.
- This product has a terminal block to select a sound source. For further details, refer to page 5 'Bit/ Binary Input Method using Rear Terminal Block' section of this manual.
- For sound configurations, refer to the table below.
- Please be aware that the configuration for sound using the binary input method is different from the bit input method.

Binary input method sound configuration						Type of sound
No.	Ch1	Ch2	Ch3	Ch4	Ch5	
0	0	0	0	0	0	No sound
1	0	0	0	0	1	Fire.A-ANG (560Hz-1.5kHz)
2	0	0	0	1	0	Emergency WA-U (600Hz-1.5kHz)
3	0	0	0	1	1	Ambulance PI-PO (450Hz-900Hz)
4	0	0	1	0	0	Pi-ik Pi-ik (800Hz)
5	0	0	1	0	1	Machinery Fault (820Hz)
6	0	0	1	1	0	High Expansion (1kHz)
7	0	0	1	1	1	Alarm (1kHz)
8	0	1	0	0	0	Sweet Home
9	0	1	0	0	1	For Elise
10	0	1	0	1	0	Cuckoo's Waltz
11	0	1	0	1	1	Piano Sonata
12	0	1	1	0	0	Turkish March
13	0	1	1	0	1	Magic Flute
14	0	1	1	1	0	Badinerie
15	0	1	1	1	1	Pineapple Rag
16	1	0	0	0	0	Beep Intermittent
17	1	0	0	0	1	Door Chime
18	1	0	0	1	0	Phone Ring
19	1	0	0	1	1	PI.PI.PI Short
20	1	0	1	0	0	Tripping Beat
21	1	0	1	0	1	Rel rel rel (730Hz-920Hz)
22	1	0	1	1	0	Slow Ambulance PI-PO (820Hz-1.05kHz)
23	1	0	1	1	1	Wye yong Wye yong (770Hz-1.2kHz)
24	1	1	0	0	0	Phone ring 2 (740Hz-910Hz)
25	1	1	0	0	1	Fire.A-ANG (770Hz-1.11kHz)
26	1	1	0	1	0	Oit Oit (500Hz-1.11kHz)
27	1	1	0	1	1	Pi o Pi o (940Hz-2.19kHz)
28	1	1	1	0	0	Slow Di o Di o (680Hz-840Hz)
29	1	1	1	0	1	Li long Li ling (420Hz-470Hz)
30	1	1	1	1	0	911 Siren (150Hz-1kHz)

※ Please be noted that the configuration chart above is explaining how to wire terminal blocks. The actual product does not have a switch.

## Operation Method and Setting

When Using a Built-in Sound Source	
Bit input	Binary input
Play one of five sounds from 6 groups	Play one of 30 sounds

### ■ When using a built-in sound source in bit input mode

#### ※ Sound switch setting → Channel selection

1. Please set switch no. 1 to off.
  - For more information, see page 4 '**Sound Selection**' section.
2. Use one of the SOUND setting switches 2, 3 and 4 to select one of the 6 groups.
  - For more information, see page 4 '**Sound Selection**' section.
3. Use the terminal block on the back to select one of the five built-in sounds.
  - For more information, please refer to page 5 '**Sound Type and Combination for Built-in Sound**' - '**Bit Input**' section.

### ■ When using a built-in sound source in binary input mode

#### ※ Sound switch setting → Channel selection

1. Please set switch no. 1 to ON.
  - For more information, see page 4 '**Sound**' section.
2. Use the terminal block on the back to select one of the 30 built-in sounds.
  - For details, please refer to page 5 '**Sound Type and Combination for Built-in Sound**' - '**Binary input**' section.

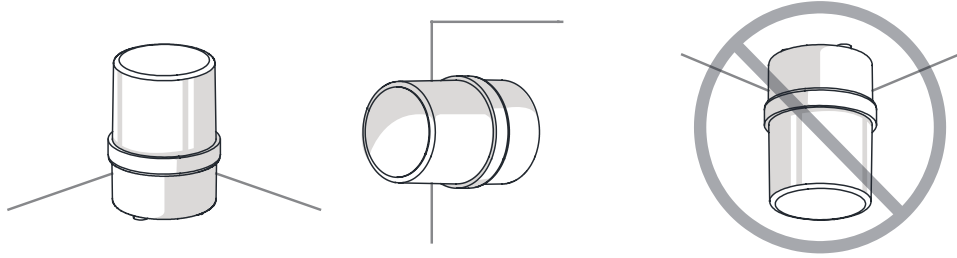
## Product installation direction

- Install the product in accordance with the manual. Otherwise rainwater or moisture may penetrate into the product.

### · BEACON/SIGNALING LIGHT

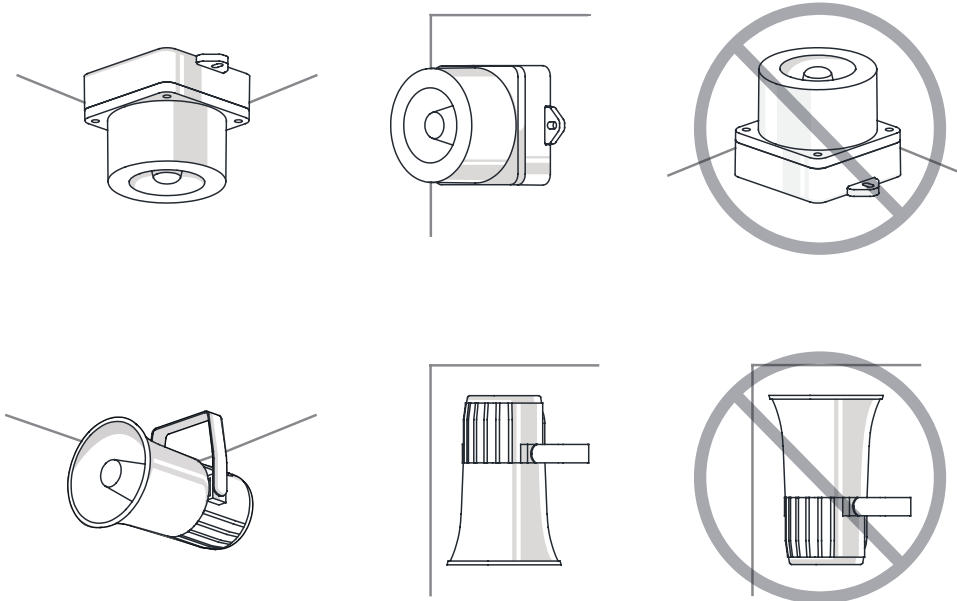
※ For products with a protection rating of less than IPX4, please install it vertically.

Power cord inlet part shall not be facing the sky.



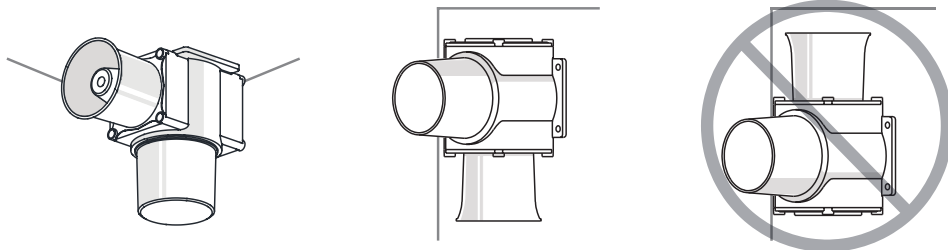
### · ELECTRONIC SOUNDER/SIGNAL HORN

Sounder part shall not be facing the sky.



### · HEAVY-DUTY & EXPLOSION PROOF SIGNALINGS

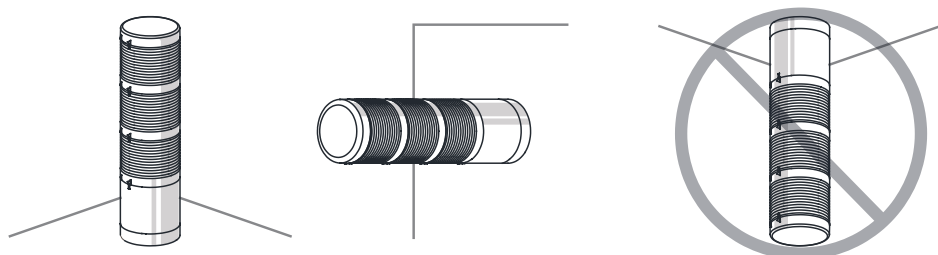
Sounder part shall not be facing the sky.



### · SIGNAL TOWER LIGHTS

※ For products with a protection rating of less than IPX4, please install it vertically.

Power cord inlet part shall not be facing the sky.





For your safety

Specification and dimensions listed in this catalogue subject to change without notice for product quality improvement.  
The newest product information is available on our website.(www.qlight.com)  
Please read the instruction manual attached to the product carefully before installation and use.

*Qlight Co., Ltd. www.qlight.com | trade@qlight.com*

Head Office | Suite #1510, STX-V Tower, 128 Gasan digital 1-ro, Geumcheon-gu, Seoul, Korea

Tel. +82-2-2679-6152(Toll free. +82-80-328-2222) Fax. +82-2-2679-6154

Factory | 185-25, Mukbang-ro, Sangdong-myeon, Gimhae-si, Gyeongsangnamdo, Korea Tel. +82-55-328-1111(Toll free. +82-80-328-1111)

Qlight OverSEAs Sales Dept | 704 Nakdong-daero, Sasang-gu, Busan, Korea(Eomgung-Dong) Tel : +82-51-620-4100

Qlight Public Relations & Marketing Team Office | 704 Nakdong-daero, Sasang-gu, Busan, Korea(Eomgung-Dong) Tel. +82-51-245-0017

---

*Qlight USA, Inc. www.qlight.com www.qlightusa.com | sales@qlightusa.com*

3003 North First Street, Suite #341, San Jose, CA 95134 USA Tel. +1-408-519-5740 Fax. +1-408-519-5739

---

*SHANGHAI Qlight Electronic Co., Ltd. www.qlight.com www.qlightcn.com | qlightcn@qlight.com*

China Factory/ Shanghai Sales Office | #19, Nanda Road, Baoshan Area, Shanghai, China Tel. +86-21-6651-7100 Fax. +86-21-6315-3929

China Factory Site 2 (Qidong) | #33, Haiyan Road, Qidong High-tech Industrial Development Zone, Qidong, Jiangsu Province, China

Tel +86-513-8384-9999 Fax +86-513-8384-9910

**Qlightec**

Innovation in Alarm & Signal

Product Operation Inquiry / Customer Support +82-51-620-4100

You can expect prompt service if you have exact information such as model name, symptom, telephone number and address.

※ ALL PRODUCT, PRODUCT SPECIFICATIONS AND DATA ARE SUBJECT TO CHANGE WITHOUT NOTICE TO IMPROVE RELIABILITY, FUNCTION OR DESIGN OR OTHERWISE.

Head office : Suite #1510, STX-V Tower, 128 Gasan digital 1-ro, Geumcheon-gu, Seoul, Korea (Postal Code : 08507)

Factory : 185-25, Mukbang-Ro, Sangdong-Myeon, Gimhae-Si, Gyeongsangnam-Do, Korea (Postal Code : 50805)

www.qlight.com

EN - SMP35-N - 2305A