

# Wall Mount Electric Horn with Pre-Recorded Special Warning Sound

## QWH Series

Wall mount electric horn that offers 31 pre-recorded warning sounds and 30 user selected sound messages



- Bit input offers 5 channels with 6 sound outputs
- Binary input offers 31 sound outputs and SD Card (MP3) combination

### PRODUCT SPECIFICATION

QWH35(SD) | QWH50(SD)  
QWH35T(SD) | QWH50T(SD)  
QWH35B | QWH35BT

**Materials** Horn-PC+ABS, Housing-PC+ABS

**Ambient operating temperature**

-30°C to +60°C (Standard type/Buzzer type)

-50°C to +60°C (Low temperature type only DC)

-20°C to +50°C (SDCard type)

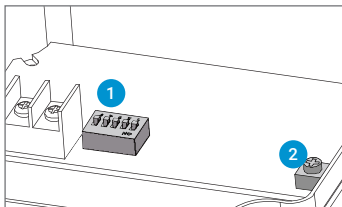
**Cable entry** PG 13.5

**Protection rating** IP66

**Compliant with RoHS directive**

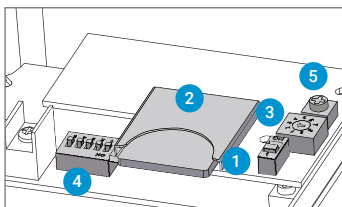
- Signal fit for the specific environment and condition.
- Options to select between 31 special warning sounds included in the pre-recorded sound type and SD Card(MP3) type
- Volume adjustment and sound selection switches located inside the unit. SD Card in the unit offers convenient operation.
- SD Card type allows the user to input the proper voice messages for specific operating conditions.
- Built-in special alarm type standard model and MP3(SDcard)
- Supports Binary Input Mode and Bit Input Mode for SD card
- \* Bit Input Mode can select and play 5 sounds from No. 1 to No. 5 on MP3 files of SDcard
- Tightly sealed structure that blocks water and dust with IP66 protection rating suitable for outdoor installation
- QWH35T, QWH35TSD, QWH50T, QWH50TSD allow for easy wiring with separate terminal box (Built-in terminal block for wiring inside product)

#### Pre-recorded sound type



- 1 Switch for channel selection
- 2 Switch for volume adjustment

#### SD Card (MP3) type



- 1 Switch for sound pattern selection
- 2 SD Card slot for MP3
- 3 Switch for play mode selection
- 4 Switch for channel selection
- 5 Switch for volume adjustment

#### Sound Selection and Volume Adjustment Instructions

QWH series has control switches inside the unit for sound selection and volume adjustment. You can play customized sound message(MP3) with SD Card.

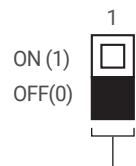
#### The input method of built-in sound type

	1	2	3	4	5
ON	<input type="checkbox"/>	<input type="checkbox"/>	<input type="checkbox"/>	<input type="checkbox"/>	<input type="checkbox"/>
OFF	<input type="checkbox"/>	<input type="checkbox"/>	<input type="checkbox"/>	<input type="checkbox"/>	<input type="checkbox"/>
No.	1	2	3	4	5
0	0	0	0	0	0
1	0	0	0	0	1
2	0	0	0	1	0
:	:	:	:	:	:
31	1	1	1	1	1

Select from 31 pre-recorded output sound options by using a combination of the 5 channel input switches. Selecting one sound by combining 5 switches is Binary Input Method The binary input method allows you to express each of the 31 alarm sound signals with a "0" or "1" by switching the 5 channels on and off as shown in the table.

#### Sound selection instruction for SD Card type

- You can select between pre-recorded sound mode and SD Card sound (MP3) mode with the SOUND selection switch.



- 31 built-in alarm sounds and special sound
- Supports SD Cards for external sound (MP3)
- Binary Input: 31Ch
- Bit Input: 5Ch(SD Card only)
- Please refer to [Sound pattern and combination for special alarm product] on this catalogue for detailed sound tone specification

Selection between pre-recorded sound mode and SD Card sound mode

0: pre-recorded sound mode

1: SD Card sound mode

#### QWH series Product Category

QWH35(T)	Standard pre-recorded sound type
QWH35(T)SD	MP3(SD Card) type
QWH50(T)	Standard pre-recorded sound type, high volume output
QWH50(T)SD	MP3(SD Card) type, high volume output
QWH35B(T)	High volume type



### QWH35 Wall Mount Electric Horn with Pre-Recorded Special Warning Sound, Max.115dB

Model number	Voltage	Current	Sound Pattern and volume	Certificates	Weight
QWH35 Built-in standard sound	DC12V-24V	Max. 0.930A	·Bit Input: 5Ch (SD Card) ·Binary Input: 31Ch ·Warning Sounds: Max.115dB (Based on WS-Ch31)	CE UL	0.9kg
	AC110V-220V	Max. 0.300A			
QWH35SD MP3	DC12V-24V	Max. 0.980A	·MP3: Max.112dB	UL	1.0kg
	AC110V-220V	Max. 0.270A			

※ UL Listed: DC12/24V

### QWH50 Wall Mount Electric Horn with Pre-Recorded Special Warning Sound, Max.123dB

Model number	Voltage	Current	Sound Pattern and volume	Certificates	Weight
QWH50 Built-in standard sound	DC12V-24V	Max. 3.480A	·Bit Input: 5Ch (SD Card) ·Binary Input: 31Ch ·Warning Sounds: Max.123dB (Based on WS-Ch16)	CE UL	2.7kg
	AC110V-220V	Max. 0.460A			
QWH50SD MP3	DC12V-24V	Max. 4.310A	·MP3: Max.115dB	UL	2.8kg
	AC110V-220V	Max. 0.530A			

※ DC type model has a free-voltage range of 10V-30V.

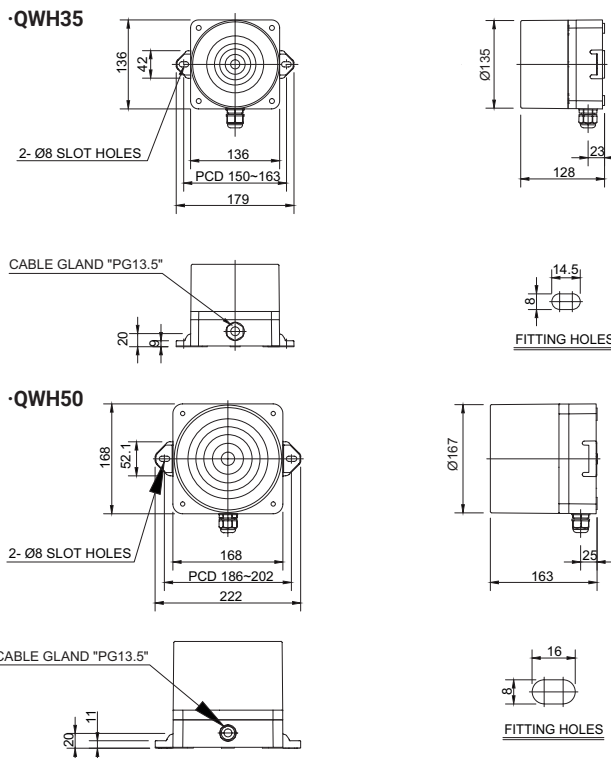
※ AC type model has a free-voltage range of 100V-240V.

※ UL Listed: DC12/24V

※ When playing MP3 files, there may be difference of volume depending on user's audio file type.

### Technical Diagram

Units: mm



### Wiring Instructions

QWH50	-	110/220	-	LC	-	INSD
[Model number]		[Voltage]		[sound selection]		[Including SD card]
QWH35		12/24-DC12V-24V		(Blank)-Standard type		(None)-Without SD card
QWH35SD		110/220-AC110V-220V		LC Type-Uses external contact		INSD-Including SD card
QWH50						
QWH50SD						



QWH35 Series  
(Max.115dB)

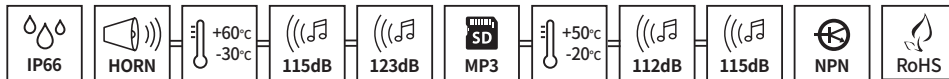


QWH50 Series  
(Max.123dB)

### Customization

· External threading of signal line for sound selection(Model number: -LC)

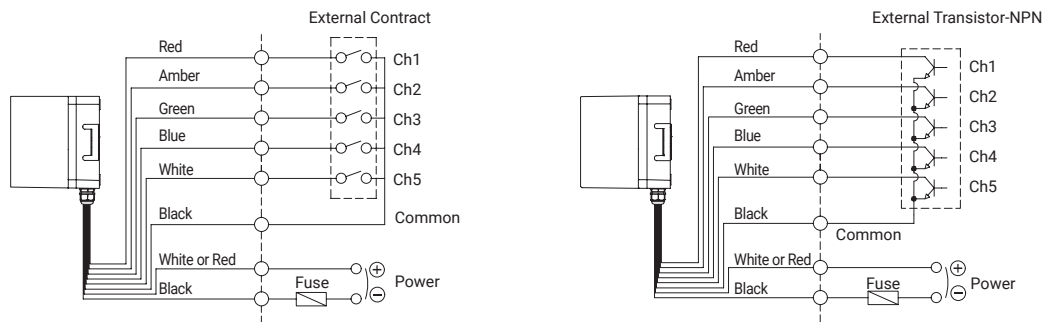
# Wall mounted type electronic sounder with high volume



## Wiring Instructions

- Standard specification: Uses internal switches
- Customization: Uses external contact

- QWH35 / QWH50-DC/AC
- QWH35T / QWH50T-DC/AC



- Channel selection, 5 sounds available with Bit input and 31 sound available with Binary input
- DC type : Black output line is negative(-)
- ※ Please refer to [Sound pattern and combination for multifunctional product] on this catalogue for channel input setting(Wiring instruction is replaced to channel selection switch).