

Wall Mount Electric Horn with Pre-Recorded Special Warning Sound

QWH Series

Wall mount electric horn that offers 31 pre-recorded warning sounds and 30 user selected sound messages



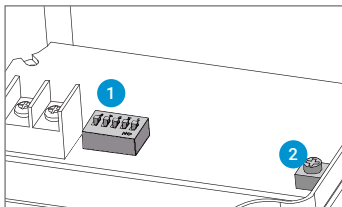
- Bit input offers 5 channels with 6 sound outputs
- Binary input offers 31 sound outputs and SD Card (MP3) combination

PRODUCT SPECIFICATION

QWH35(SD) | QWH50(SD)
QWH35T(SD) | QWH50T(SD)
QWH35B | QWH35BT

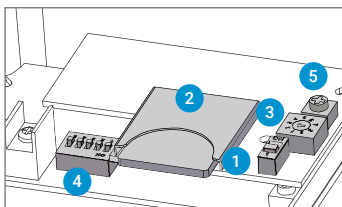
- Signal fit for the specific environment and condition.
- Options to select between 31 special warning sounds included in the pre-recorded sound type and SD Card(MP3) type
- Volume adjustment and sound selection switches located inside the unit. SD Card in the unit offers convenient operation.
- SD Card type allows the user to input the proper voice messages for specific operating conditions.
- Built-in special alarm type standard model and MP3(SDcard)
- Supports Binary Input Mode and Bit Input Mode for SD card
- * Bit Input Mode can select and play 5 sounds from No. 1 to No. 5 on MP3 files of SDcard
- Tightly sealed structure that blocks water and dust with IP66 protection rating suitable for outdoor installation
- QWH35T, QWH35TSD, QWH50T, QWH50TSD allow for easy wiring with separate terminal box (Built-in terminal block for wiring inside product)

Pre-recorded sound type



- 1 Switch for channel selection
- 2 Switch for volume adjustment

SD Card (MP3) type



- 1 Switch for sound pattern selection
- 2 SD Card slot for MP3
- 3 Switch for play mode selection
- 4 Switch for channel selection
- 5 Switch for volume adjustment

Sound Selection and Volume Adjustment Instructions

QWH series has control switches inside the unit for sound selection and volume adjustment. You can play customized sound message(MP3) with SD Card.

QWH series Product Category

QWH35(T)	Standard pre-recorded sound type
QWH35(T)SD	MP3(SD Card) type
QWH50(T)	Standard pre-recorded sound type, high volume output
QWH50(T)SD	MP3(SD Card) type, high volume output
QWH35B(T)	High volume type

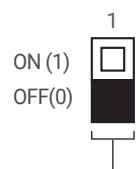
The input method of built-in sound type

	1	2	3	4	5
ON	<input type="checkbox"/>	<input type="checkbox"/>	<input type="checkbox"/>	<input type="checkbox"/>	<input type="checkbox"/>
OFF	<input type="checkbox"/>	<input type="checkbox"/>	<input type="checkbox"/>	<input type="checkbox"/>	<input type="checkbox"/>
No.	1	2	3	4	5
0	0	0	0	0	0
1	0	0	0	0	1
2	0	0	0	1	0
:	:	:	:	:	:
31	1	1	1	1	1

Select from 31 pre-recorded output sound options by using a combination of the 5 channel input switches. Selecting one sound by combining 5 switches is Binary Input Method The binary input method allows you to express each of the 31 alarm sound signals with a "0" or "1" by switching the 5 channels on and off as shown in the table.

Sound selection instruction for SD Card type

- You can select between pre-recorded sound mode and SD Card sound (MP3) mode with the SOUND selection switch.



- 31 built-in alarm sounds and special sound
- Supports SD Cards for external sound (MP3)
- Binary Input: 31Ch
- Bit Input: 5Ch(SD Card only)
- Please refer to [Sound pattern and combination for special alarm product] on this catalogue for detailed sound tone specification

Selection between pre-recorded sound mode and SD Card sound mode

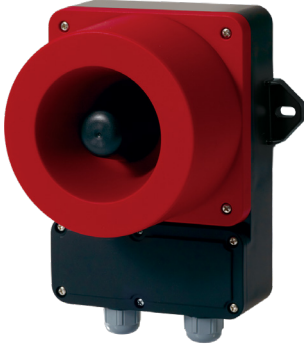
0: pre-recorded sound mode

1: SD Card sound mode

Wall Mount Electric Horn with Pre-Recorded Special Warning Sound

QWH Series

Easy wiring with 2 cable entries terminal box type



QWH35T Series
(Max. 115dB)



QWH50T Series
(Max. 123dB)

QWH35T Wall Mount Electric Horn with Pre-Recorded Special Warning Sound, Max.115dB

Model number	Voltage	Current	Sound Pattern and volume	Certificates	Weight
QWH35T Built-in standard sound	DC12V-24V	Max. 0.930A	·Bit Input: 5Ch (SD Card) ·Binary Input: 31Ch ·Warning Sounds: Max.115dB (Based on WS-Ch31)	CE	1.10kg
	AC110V-220V	Max. 0.300A			
QWH35TSD MP3	DC12V-24V	Max. 0.980A	·MP3: Max.112dB		1.15kg
	AC110V-220V	Max. 0.270A			

QWH50T Wall Mount Electric Horn with Pre-Recorded Special Warning Sound, Max.123dB

Model number	Voltage	Current	Sound Pattern and volume	Certificates	Weight
QWH50T Built-in standard sound	DC12V-24V	Max. 3.480A	·Bit Input: 5Ch (SD Card) ·Binary Input: 31Ch ·Warning Sounds: Max.123dB (Based on WS-Ch16)	CE	3.00kg
	AC110V-220V	Max. 0.460A			
QWH50TSD MP3	DC12V-24V	Max. 4.310A	·MP3: Max.115dB		3.10kg
	AC110V-220V	Max. 0.530A			

※ DC type model has a free-voltage range of 10V-30V.

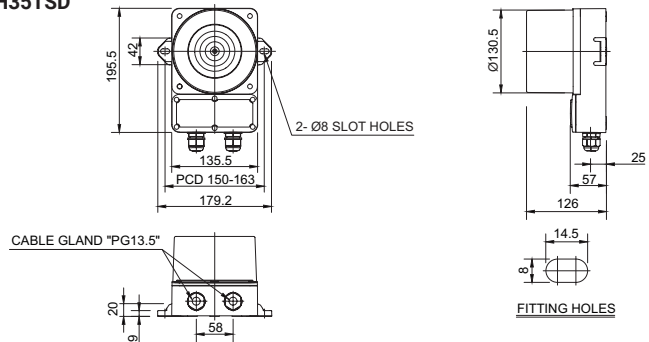
※ AC type model has a free-voltage range of 100V-240V.

※ When playing MP3 files, there may be difference of volume depending on user's audio file type.

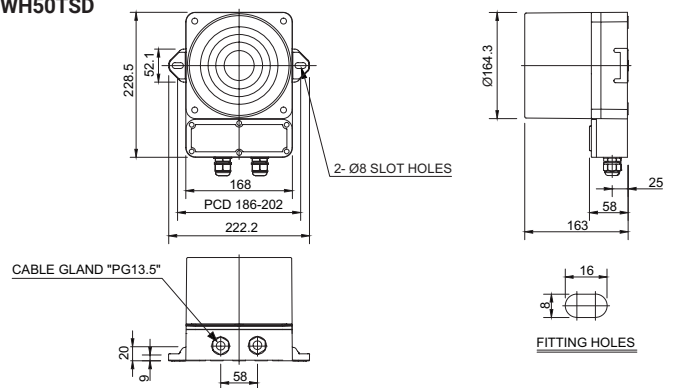
Technical Diagram

Units: mm

·QWH35T / QWH35TSD



·QWH50T / QWH50TSD



Customization

· External threading of sound selection signal line
(Model number: -LC)

Ordering Specification

QWCD35T	-	110/220	-	LC	-	INSD
[Model number]		[Voltage]		[sound selection]		[Including SD card]
QWCD35T		12/24-DC12V-24V		(Blank)-Standard type		(None)-Without SD card
QWCD35TSD		110/220-AC110V-220V		LC Type-Uses external contact		INSD-Including SD card
QWCD50T						
QWCD50TSD						

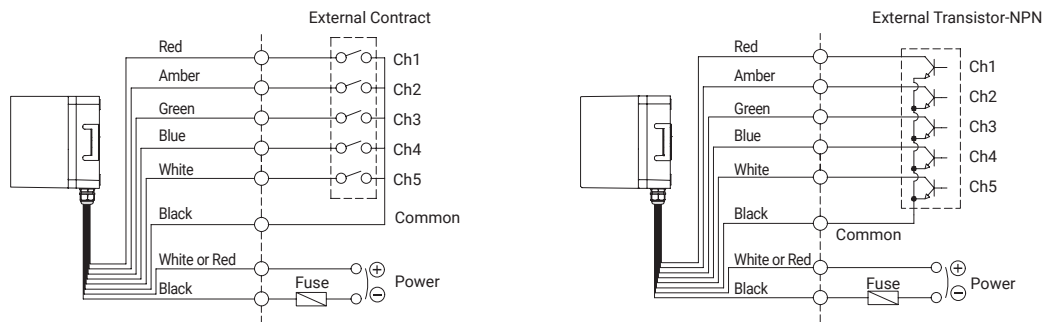
Wall mounted type electronic sounder with high volume



Wiring Instructions

- Standard specification: Uses internal switches
- Customization: Uses external contact

- QWH35 / QWH50-DC/AC
- QWH35T / QWH50T-DC/AC



- Channel selection, 5 sounds available with Bit input and 31 sound available with Binary input
- DC type : Black output line is negative(-)
- ※ Please refer to [Sound pattern and combination for multifunctional product] on this catalogue for channel input setting(Wiring instruction is replaced to channel selection switch).