

SM series

Motor Sirens



120dB



SM200

123dB



SM400



Continuous operation rating time of SM400 is 3 mins. Over 3 mins of continuous operation may cause damage to the motor. Please be careful.



Ordering Specification

SM200	-	24
[Model number]		[Voltage]
• SM200		• 24-DC24V
• SM400		• 110-AC110V
		• 220-AC220V

SM200 120dB Heavy-Duty Motor Siren

- Excellent durability and high volume are suitable for noisy environment
- Motor RPM : 7,200RPM
- Materials : Steel/Al
- Ambient operation temperature : -25°C to +50°C
- Housing standard color : Red
- Insulation resistance : 100MΩ(at 500 VDC)
- Certificates : CE Compliant



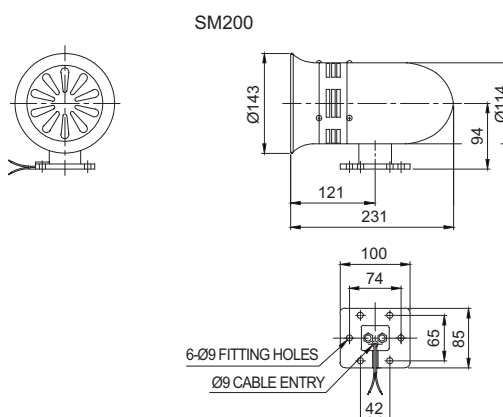
Specifications

Model number	Volume	Voltage	Current	Certificates	Weight	Rated time
SM200	120dB	DC24V	7.820A	 DC24V only	2.19kg	10 min
		AC110V	2.850A		2.55kg	
		AC220V	1.600A		2.55kg	



Technical Diagram

(Units : mm)



SM400 Sound 123dB Heavy-Duty Motor Siren

- 123dB high volume model suitable for long-distance audible signal in noisy environments
- Motor RPM : 7,600RPM
- Materials : Steel/ABS
- Ambient operation temperature : -25°C to +50°C
- Housing standard color : Red
- Insulation resistance : 100MΩ(at 500 VDC)



Specifications

Model number	Volume	Voltage	Current	Certificates	Weight	Rated time
SM400	123dB	DC24V	5.700A	-	3.19kg	3 min
		AC110V	3.600A		3.75kg	
		AC220V	3.200A		3.75kg	



Technical Diagram

(Units : mm)

