

SANA series

Air Horns for Vessels and Heavy Industrial Applications

SANA700 700-800Hz

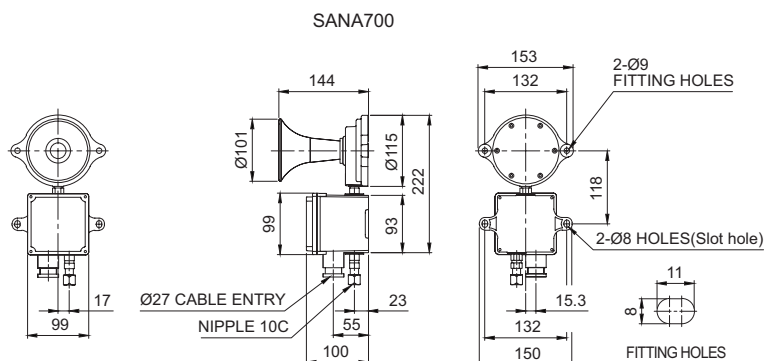


Technical Diagram

(Units : mm)



SANA700



Ordering Specification

| | | | | |
|----------------|---|--------------|---|------------|
| SANA200 | - | 220 | - | R |
| [Model number] | | [Voltage] | | [Color] |
| • SANA200 | | • 24-DC24V | | • R-Red |
| • SANA400 | | • 110-AC110V | | • BK-Black |
| • SANA700 | | • 220-AC220V | | • 7.5BG |



Customization

- Horn and solenoid valve box available separately for individual installation
- Non return valve and Y filter installation



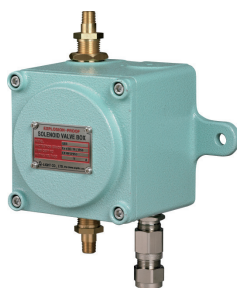
Non return valve



Y filter

QEB

Explosion Proof Solenoid Valve Box



QEB



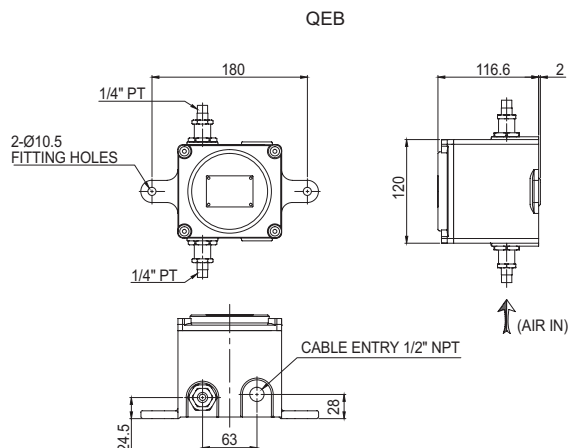
Ordering Specification

| | | |
|----------------|---|--------------|
| QEB | - | 24 |
| [Model number] | | [Voltage] |
| • QEB | | • 24-DC24V |
| | | • 110-AC110V |
| | | • 220-AC220V |



Technical Diagram

(Units : mm)



QEB Explosion Proof Solenoid Valve Box

- Materials : Housing, Cover-Al
- Ambient operation temperature : $-40^{\circ}\text{C} \leq T_{\text{amb}} \leq +60^{\circ}\text{C}$
- Protection rate : Ex d IIC T6, IP66
- Certificates : KIMM Compliant
- Left picture has a cable gland installed, explosion proof cable gland configuration is available as a customized option