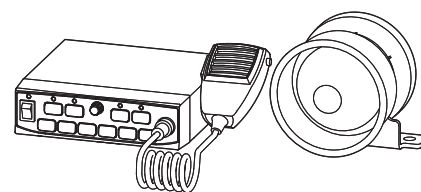


Controllable Amplifier and Horn for QLV Light Bars

SAMP-100/ SM-100ND



Thank you for purchasing Qlight's products. Please read this user manual carefully prior to installation and operation to ensure safe and correct use.

⚠ Precautions for Safety

Failure to follow the instructions below may cause a loss of life or serious physical injury.

1. During wiring or maintenance, please completely turn off the power of the product. (Failure to follow this may lead to an electric shock.)
2. Do not install the product in locations that subjects it to excessive dust or water other than the conditions designated by the IP protection ratings indicated for each product. (Failure to follow these instructions may cause a fire to the product, electric shock, physical injury, malfunction or damage to the product.)
3. Do not alter or repair this product. If maintenance or repair service is required, please contact your local Qlight contact point. (Failure to follow these instructions may lead to fire, electric shock, or product damage.)
4. Please apply the correct voltage to the product. (Failure to follow these instructions may lead to fire, electric shock, or product damage.)
5. When the product is applied to a condition that may impact lives or property, please make sure to have a double safety device. (Failure to follow this may cause damage to property, fire, electric shock and loss of life.)

⚠ Precautions for Correct Use

Failure to follow the proper instructions may cause damage to property, the product, or malfunction of the product that would void the warranty.

1. Please remove any objects that can interrupt ventilation around the product.
2. Please turn off the power of the product immediately if it fails to operate properly.
3. Carefully wire the product according to each product's specification.
4. Please be careful in preventing chemicals such as thinner, benzene, etc. in contact with the surface of the product.
5. Do not apply excessive force/impact to the product.
6. Failure to follow any of the instructions above may cause malfunction or damage to the product, fire, and electric shock.

Ordering Specifications

SAMP-100	-	12
[Model number]		[Voltage]
• SAMP-100		• 12 -DC12V
• SM-100ND		• 12 -DC12V

Product Specifications

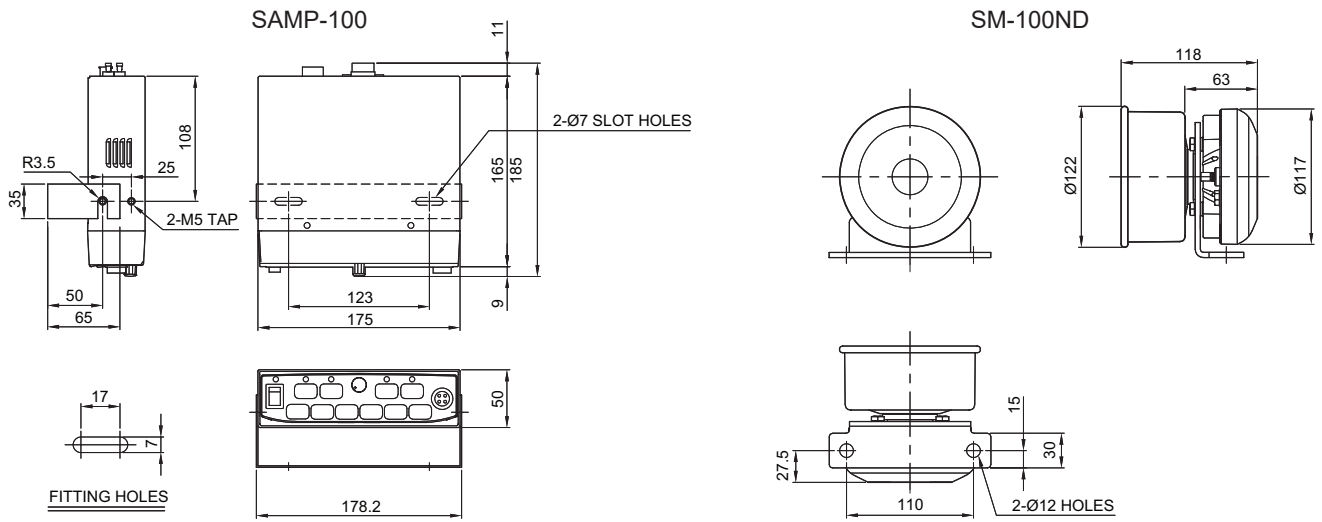
Model number	Voltage	Current	Sound pattern	Frequency/ Repeat time	Certificate	Weight
SAMP-100	DC12V	10A	Fire Alarm	300~700Hz/140cycle	CE	1.15kg
			Emergency	350~750Hz/14cycle		
			Horn	600~91KHz		
			Buzzer	2.25Hz/90cycle		

Model	Voltage	Volume	Certificate	Weight
SM-100ND	DC12V	Max. 135dB	CE	1.15kg



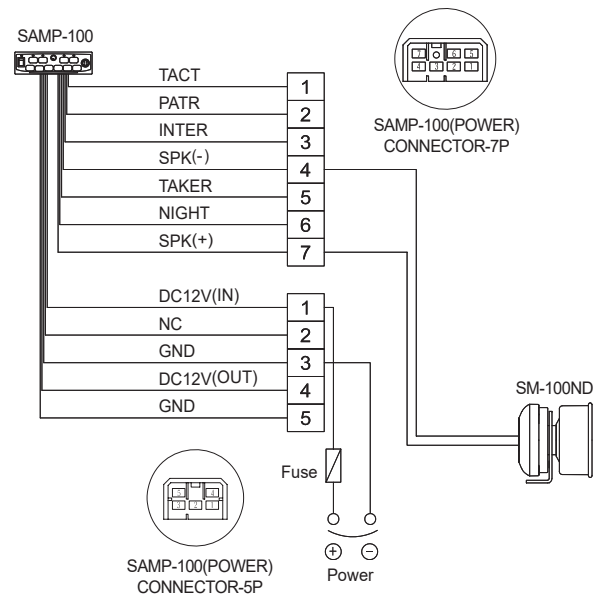
Please scan the QR code for more detailed product information.

www.qlight.com

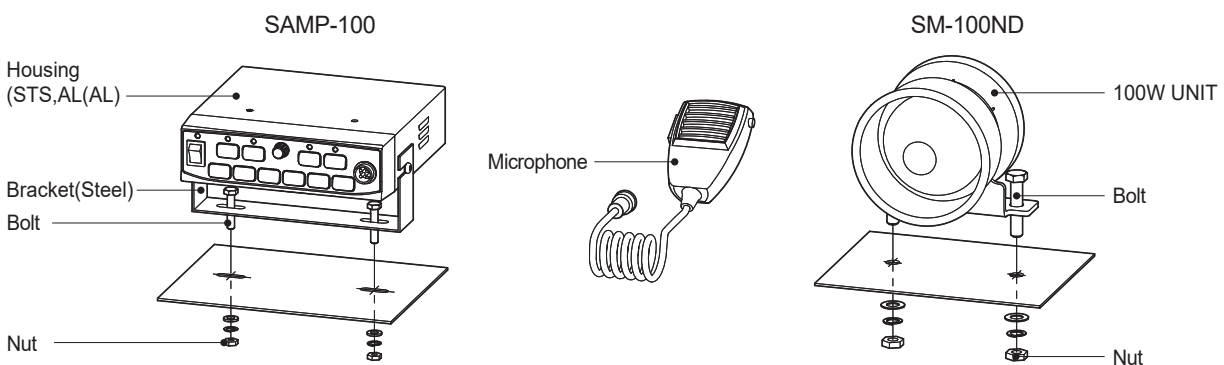


Wiring Instructions

- SAMP-100 control unit has a 7p connector and SAMP-100 power unit has a 5p connector.
- Refer to the pin map on the right for wiring instructions.
- For the power unit, please make sure to use a fuse to ensure the product operates properly.



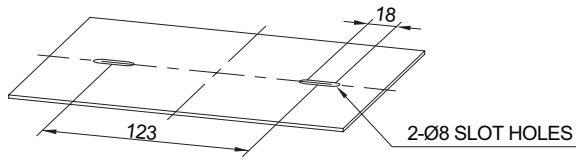
Parts Definition/ Installation



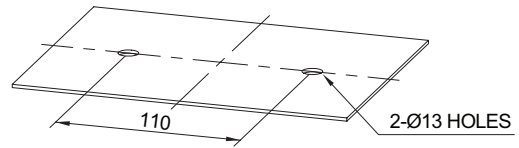
- First, machine taps or holes on the mounting surface .
- The mounting hole of this product is 7mm(SAMP-100) and 12mm(SM-100ND) in diameter(long hole).
- Insert the bolt through the hole of the product, and tighten the nut from the opposite side of the mounting surface.
- Please fasten the nuts until the bolts are tightened securely.
- Use a flat washer and spring washer in the bolt assembly if the product will experience severe vibration and shock.

Mounting Hole Specifications

• Machine holes on the mounting surface referring to the diagram below.

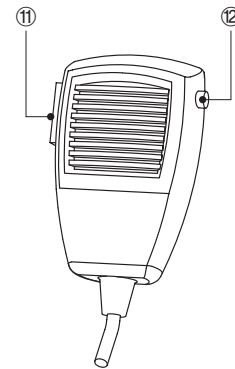
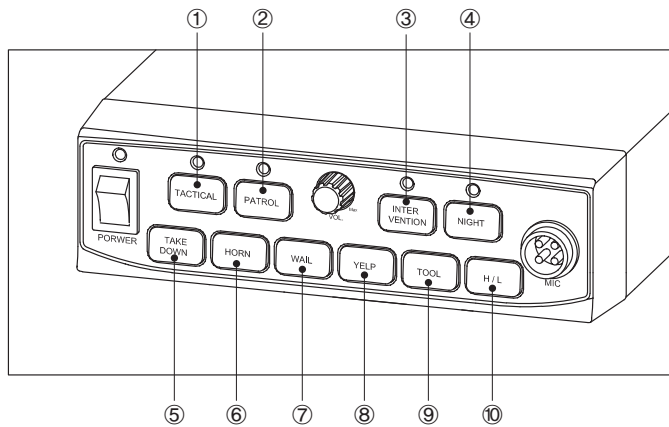


SAMP-100



SM-100ND

Product Functions



Number	Functions	Action
1	TACTICAL	Strobe function for the entire warning light bar
2	PATROL	Strobe function starting from the middle and radiating outwards continuously
3	INTERVENTION	Strobe function radiating from left to right continuously
4	NIGHT	Light intensity reduced to 25-30% of normal operation
5	TAKE DOWN	All LED modules on
6	HORN	Horn sound on
7	WAIL	Wail emergency sound on (A-ANG)
8	YELP	Yelp emergency sound on (WA-U)
9	TOOL	Piercer emergency sound on (DI-DI-DI-DI)
10	H / L	High-low emergency sound on (PI-PO)
11	HOOK KEY	Button for voice announcement when pressed down.
12	TACT SWITCH	Strobe function 1(tactical) and yelp emergency sound on



For your safety

Specification and dimensions listed in this catalogue subject to change without notice for product quality improvement.
The newest product information is available on our website.(www.qlight.com)
Please read the instruction manual attached to the product carefully before installation and use.

Qlight Co., Ltd. www.qlight.com | trade@qlight.com

Head Office | Suite #1510, STX-V Tower, 128 Gasan digital 1-ro, Geumcheon-gu, Seoul, Korea

Tel. +82-2-2679-6152(Toll free. +82-80-328-2222) Fax. +82-2-2679-6154

Factory | 185-25, Mukbang-ro, Sangdong-myeon, Gimhae-si, Gyeongsangnamdo, Korea Tel. +82-55-328-1111(Toll free. +82-80-328-1111)

Qlight OverSEAs Sales Dept | 704 Nakdong-daero, Sasang-gu, Busan, Korea(Eomgung-Dong) Tel : +82-51-620-4100

Qlight Public Relations & Marketing Team Office | 704 Nakdong-daero, Sasang-gu, Busan, Korea(Eomgung-Dong) Tel. +82-51-245-0017

Qlight USA, Inc. www.qlight.com www.qlightusa.com | sales@qlightusa.com

3003 North First Street, Suite #341, San Jose, CA 95134 USA Tel. +1-408-519-5740 Fax. +1-408-519-5739

SHANGHAI Qlight Electronic Co., Ltd. www.qlight.com www.qlightcn.com | qlightcn@qlight.com

China Factory/ Shanghai Sales Office | #19, Nanda Road, Baoshan Area, Shanghai, China Tel. +86-21-6651-7100 Fax. +86-21-6315-3929

China Factory Site 2 (Qidong) | #33, Haiyan Road, Qidong High-tech Industrial Development Zone, Qidong, Jiangsu Province, China

Tel +86-513-8384-9999 Fax +86-513-8384-9910

Qlightec

Innovation in Alarm & Signal

Product Operation Inquiry / Customer Support +82-51-620-4100

You can expect prompt service if you have exact information such as model name, symptom, telephone number and address.

※ ALL PRODUCT, PRODUCT SPECIFICATIONS AND DATA ARE SUBJECT TO CHANGE WITHOUT NOTICE TO IMPROVE

RELIABILITY, FUNCTION OR DESIGN OR OTHERWISE.

Head office : Suite #1510, STX-V Tower, 128 Gasan digital 1-ro, Geumcheon-gu, Seoul, Korea (Postal Code : 08507)

Factory : 185-25, Mukbang-Ro, Sangdong-Myeon, Gimhae-Si, Gyeongsangnam-Do, Korea (Postal Code : 50805)

www.qlight.com