

SAMP-100 / SM-100ND



Recommended Amplifier Designed for QLV Warning Light Bar



SAMP-100

SAMP-100 controllable AMP for QLV Warning Light Bar

Model number	Voltage	Current	Sound pattern	Frequency/ Repeat time	Certificate	Weight
SAMP-100	DC12V	10A	Fire Alarm	300-700Hz/140cycle	CE	1.15kg
			Emergency	350-750Hz/14cycle		
			Horn	600Hz-91KHz		
			Buzzer	2.25Hz/90cycle		

- Simple linkage between sound signal and warning lights
- Clear and stable sound signal
- Built-in switch for emergency voice on the microphone
- Amplifier is already part of QLV-SET model



SM-100ND

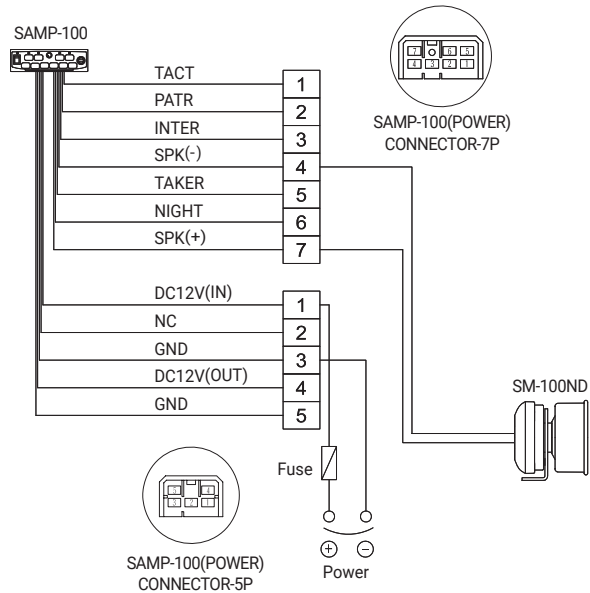
SM-100ND Horn for Warning Light Bars

Model number	Voltage	Volume	Certificate	Weight
SM-100ND	DC12V	Max.135dB	CE	1.15kg

- 100W high volume horn with clear warning sounds
- Mounting bracket for applications in various environments

Wiring Instructions

·SAMP-100 / SM-100D



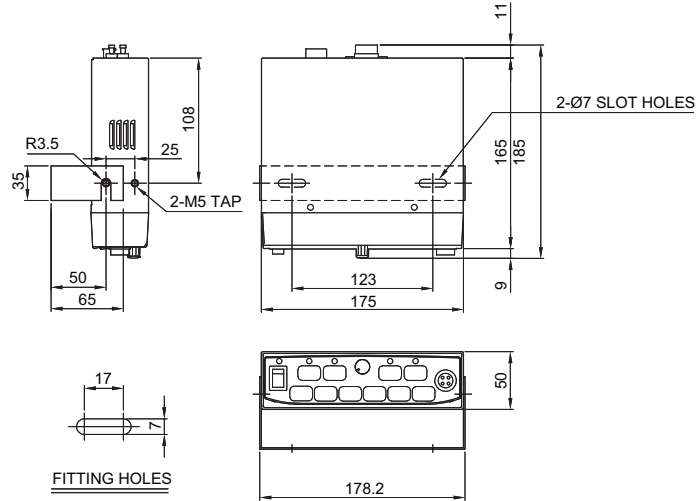
Ordering Specification

SAMP-100	-	12
[Model number]		[Voltage]
SAMP-100 SM-100ND		12-DC12V

Technical Diagram

Units: mm

·SAMP-100



·SM-100ND

