

Warning Lights for Road Safety (Max 126dB)

ELML

Various combinations of sizes, color, and light source depending on the application needs

PRODUCT SPECIFICATION

ELML



ELML

Materials Lens/Housing-PC, Speaker Cover-STS, Reflector-Heat resistant ABS, Board-Al

Ambient operating temperature -25°C to +50°C

Built-in speaker, volume Max 126dB at 1m

Protection rating IP56

Flashing rate 60-80/min

- Adjustable size depending on the type of vehicle and application needs
- Suitable for tow trucks, patrol cars and parking lots
- Adjustable size depending on the type of vehicle and application needs
- Suitable for tow trucks, patrol cars and parking lots
- Designed in a structure which allows for quick assembly and disassembly for convenient light source replacement
- Customized color arrangements available
- Modular design allows user defined color arrangement if necessary

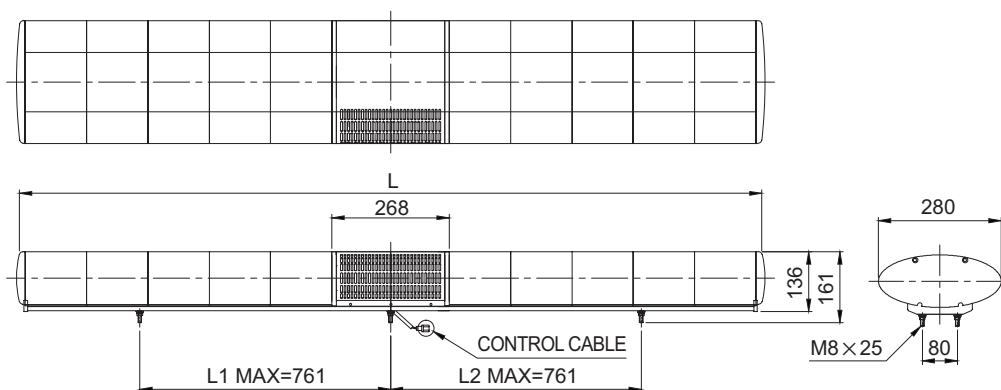
ELML LED Strobe Warning Light Bar

Model number	LED module number	Voltage (Based on 3 layers)	Current (Based on 3 layers)	Certificate	Weight (Based on 3 layers)	Color
ELML-1	4EA					
ELML-2	8EA					
ELML-3	12EA	DC12V	1.000A	-	11.02kg	● B-R
ELML-4	16EA	DC24V	0.555A			● R-R
ELML-5	20EA					● A-A

Technical Diagram

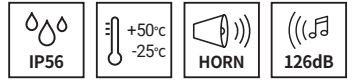
Units: mm

·ELML



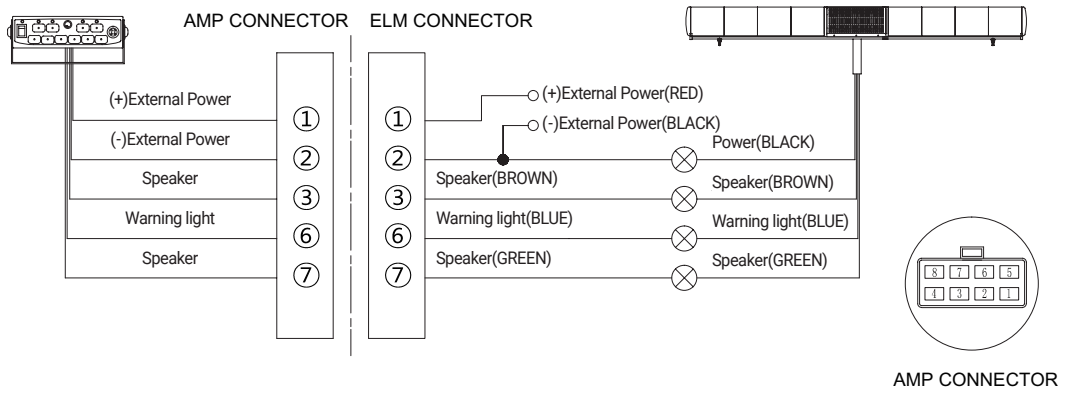
L (LENGTH)	
ELML-1 (BLOCKS 2)	588mm
ELML-2 (BLOCKS 4)	868mm
ELML-3 (BLOCKS 6)	1148mm
ELML-4 (BLOCKS 8)	1428mm
ELML-5 (BLOCKS 10)	1708mm

· Power line specification ICE57(0.75sq) x 4C 3m



Wiring Instructions

·ELML-DC



Ordering Specification

ELML	-	4	-	12	-	B/R	-	SAMP
[Model number]		[Layer]		[Voltage]		[Color]		[AMP]
ELML		1-1layer 2-2layers 3-3layers 4-4layers 5-5layers		12-DC12V 24-DC24V		B/R ●● Blue-Red R/R ●● Red-Red A/A ●● Amber-Amber		None - No AMP SAMP - AMP included