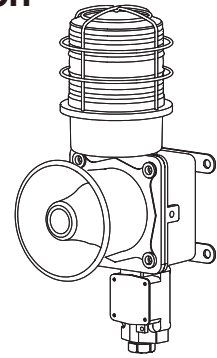
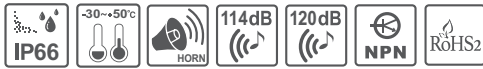


LED Revolving Warning Light and Electric Horn Combination for Vessels and Heavy Industry Applications

SEDL/ SDL/ SMDL



Thank you for purchasing Qlight's products. Please read this user manual carefully prior to installation and operation to ensure safe and correct use.

⚠️ Precautions for Safety

Failure to follow the instructions below may cause a loss of life or serious physical injury.

1. During wiring or maintenance, please completely turn off the Power of the product. (Failure to follow this may lead to an electric shock.)
2. Do not install the product in locations that subjects it to excessive dust or water other than the conditions designated by the IP protection ratings indicated for each product. (Failure to follow these instructions may cause a fire to the product, electric shock, physical injury, malfunction or damage to the product.)
3. Do not alter or repair this product. If maintenance or repair service is required, please contact your local Qlight contact point. (Failure to follow these instructions may lead to fire, electric shock, or product damage.)
4. Please apply the correct voltage to the product. (Failure to follow these instructions may lead to fire, electric shock, or product damage.)
5. When the product is applied to a condition that may impact lives or property, please make sure to have a double safety device. (Failure to follow this may cause damage to property, fire, electric shock and loss of life.)

⚠️ Precautions for Correct Use

Failure to follow the proper instructions may cause damage to property, the product, or malfunction of the product that would void the warranty.

1. Please remove any objects that can interrupt ventilation around the product.
2. Please turn off the Power of the product immediately if it fails to operate properly.
3. Carefully wire the product according to each product's specification.
4. Please be careful in preventing chemicals such as thinner, benzene, etc. in contact with the surface of the product.
5. Do not apply excessive force/impact to the product.
6. Failure to follow any of the instructions above may cause malfunction or damage to the product, fire, and electric shock.

Ordering Specifications


SEDL	WA	24	R
[Model number]	[Sound]	[Voltage]	[Color]
<ul style="list-style-type: none"> • SEDL • SEDLP • SDL • SDLP • SMDL • SMDLP 	<ul style="list-style-type: none"> • WS-Warning sounds • WP-Special warning sounds • WM-Melodies • WA-Alarms • WV-Customizable sounds 	<ul style="list-style-type: none"> • 12 - DC12V • 24 - DC24V • 110 - AC110V • 220 - AC220V 	<ul style="list-style-type: none"> R-Red A-Amber G-Green B-Blue



Please scan the QR code for more detailed product information.

www.qlight.com

Product Specifications

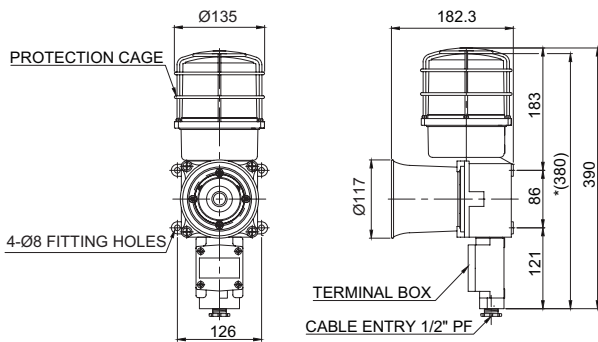
Model number	Voltage	Current	Sound pattern and volume	Certificate	Weight	Color
SEDL SEDLP	DC12V	2.511A	<ul style="list-style-type: none"> • WS-5 Warning Sounds : Max.114dB • WP-Special warning sounds : Max.114dB • WM-5 Melodies : Max.110dB • WA-5 Alarms : Max.114dB • WV-5 Customizable sounds : Max.108-113dB 		<ul style="list-style-type: none"> • SEDL : DC-2.96kg, AC-3.38kg • SEDLP : DC-3.21kg, AC-3.63kg 	R-Red A-Amber G-Green B-Blue
	DC24V	1.222A				
	AC110V	0.286A				
	AC220V	0.143A				
SDL SDLP	DC12V	2.511A	<ul style="list-style-type: none"> • WS-5 Warning Sounds : Max.114dB • WP-Special warning sounds : Max.114dB • WM-5 Melodies : Max.110dB • WA-5 Alarms : Max.114dB • WV-5 Customizable sounds : Max.108-113dB 	-	<ul style="list-style-type: none"> • SDL : DC-3.22kg, AC-3.64kg • SDLP : DC-3.51kg, AC-3.93kg 	
	DC24V	1.222A				
	AC110V	0.286A				
	AC220V	0.143A				
SMDL SMDLP	DC12V	2.400A	<ul style="list-style-type: none"> • WS-5 Warning Sounds : Max.120dB • WP-Special warning sounds : Max.120dB • WM-5 Melodies : Max.115dB • WA-5 Alarms : Max.118dB • WV-5 Customizable sounds : 109-117dB 	-	<ul style="list-style-type: none"> • SMDL : DC-5.77kg, AC-6.19kg • SMDLP : DC-6.06kg, AC-6.48kg 	
	DC24V	1.255A				
	AC110V	0.304A				
	AC220V	0.152A				

- Protection rating : IP66
- Ambient operating temperature : -30°C to +50°C

Dimensions

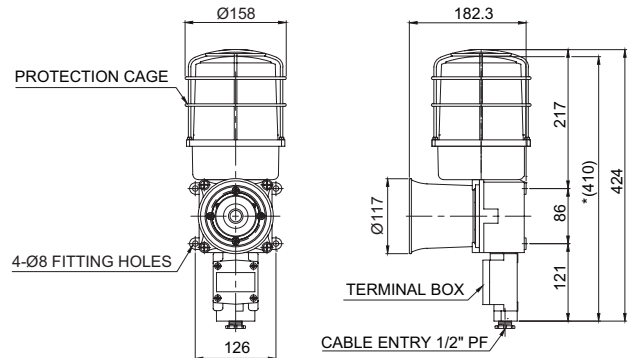
(Units : mm)

SEDL/ SEDLP



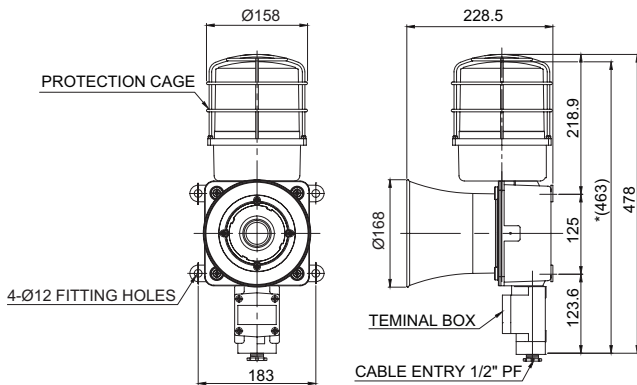
※ $\varnothing 135$ represents SEDL size without protection cage.

SDL/ SDLP



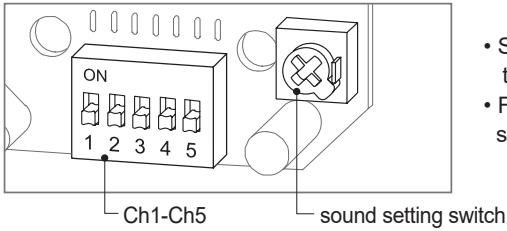
※ $\varnothing 158$ represents SDL size without protection cage.

SMDL/ SMDLP



※ $\varnothing 158$ represents SMDL size without protection cage.

Sound Setting - Select using the switch inside of the unit



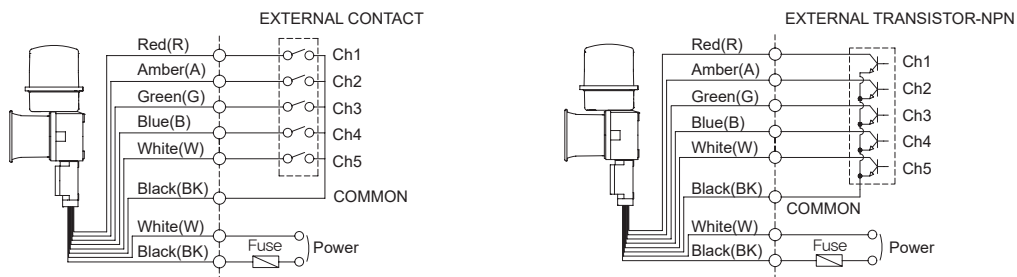
- Standard unit has 5 built-in sound tones. Select different built-in sounds using the sound setting switch.
- For standard type, once the unit is Powered on, light and sound are working simultaneously.

■ Sound Type by Group

Category	Sound pattern	Channel	Sound tone	volume (Max.)	
				SEDL/ SDL	SMDL
WS	5 Warning sounds	Ch1	Fire.A-ANG	114dB	120dB
		Ch2	Emergency WA-U		
		Ch3	Ambulance PI-PO		
		Ch4	Machinery Fault		
		Ch5	High Expansion		
WP	5 Special Warning sounds	Ch1	Fire.A-ANG	114dB	120dB
		Ch2	Abandon Alarm		
		Ch3	Machinery Fault		
		Ch4	High Expansion		
		Ch5	7 Short Pl. / 1 Long		
WM	5 Melodies	Ch1	Sweet Home	110dB	115dB
		Ch2	For Elise		
		Ch3	Cuckoo's Waltz		
		Ch4	Piano Sonata		
		Ch5	Turkish March		
WA	5 Alarms	Ch1	Beep Intermittent	114dB	118dB
		Ch2	Door Chime		
		Ch3	Phone Ring		
		Ch4	PI.PI.PI Short		
		Ch5	Tripping Beat		
WV	5 Customizable sounds	Ch1-Ch5	Available upon request (customized voice type)	108-113dB	119-117dB

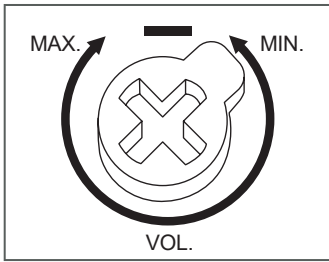
Wiring Instructions for LC Type

- LC type product with exposed sound selection signal line is available upon request. Please refer to the diagram below for wiring.



- External Power line - UL1015 AWG18(0.75sq) x 2C 400mm
- External signal line - UL1007 AWG22(0.3sq) 400mm
- This product can be wired regardless of polarity.

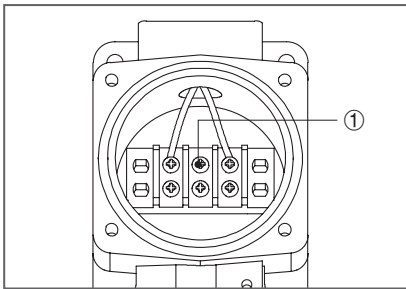
Volume Adjustment



Volume Dial

- The volume output of this product is adjustable.
- Turn the volume dial clockwise to increase the volume, and turn counter clockwise to decrease the volume.
- There will be no sound when the dial is put at MIN.

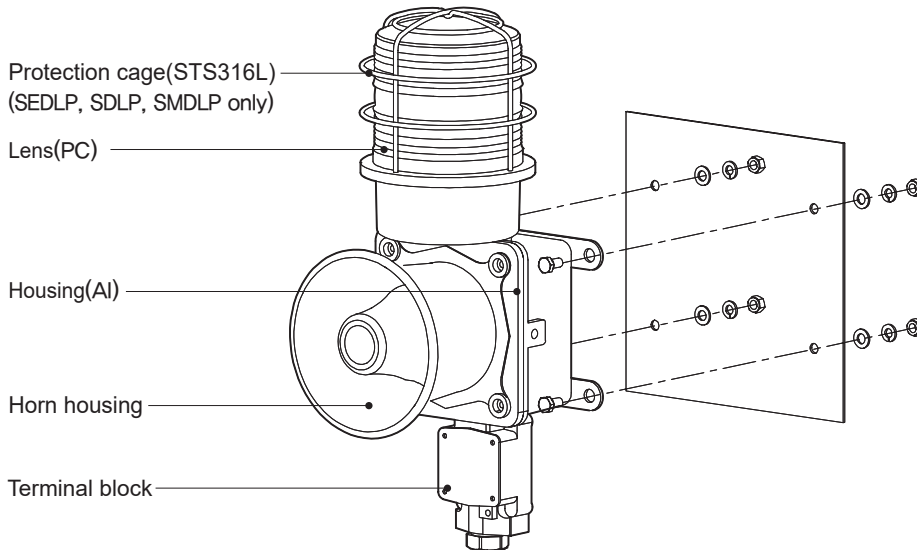
Terminal Box Wiring Instructions



- Terminal block is located inside of the product. Unscrew the 4 bolts located in the upper body to get rid of the upper lighting element of the unit.
 - Please apply fork (U-type) or ring (O-type) locking spade terminal at naked tip of the wire for secure connection.
 - Please wire the Power line to terminal ①
 - For AC type products, wire regardless of polarity.
 - For DC type products, wire terminal of black line to (-) polarity.
- ※ Applicable cable range : AWG16-AWG22

Parts Definition/ Installation

■ Parts Definition

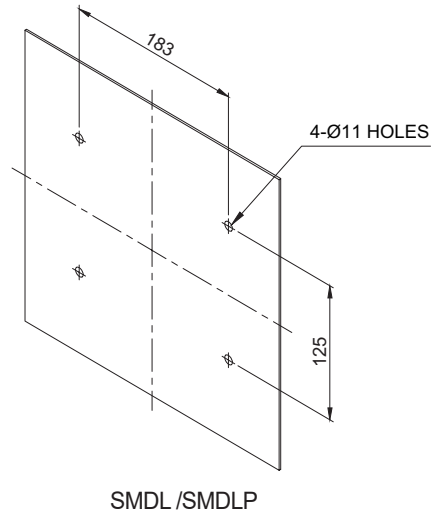
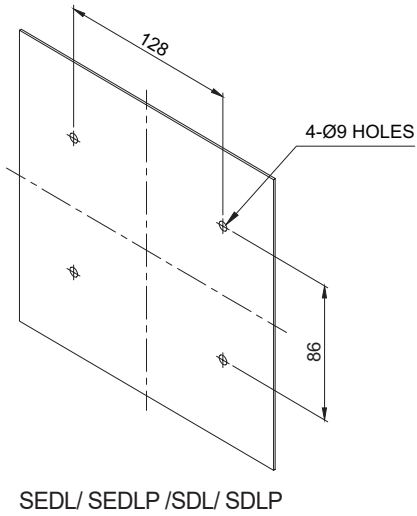


■ Installation

- First, machine taps or holes on the mounting surface.
- The mounting hole of this product is 8mm(SEDLP/ SEDLP/ SDL/ SDLP only), 11mm(SMDL/ SMDLP only)mm in diameter(hole).
- When machining taps, fasten the bolt through the mounting hole of the product.
- When machining holes, insert the bolt through the hole of the product, and tighten the nut from the opposite side of the mounting surface
- When assembling using bolt and nut, please make sure to use flat washer and spring washer.

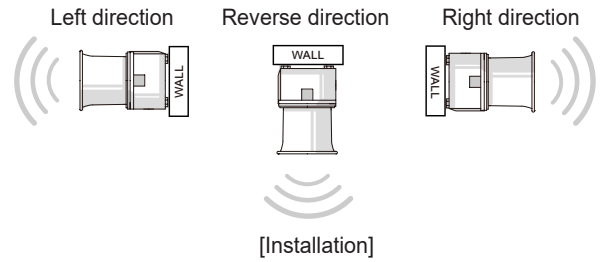
Mounting Hole Specifications

- Machine holes on the mounting surface referring to the diagram below.



Precautions for installation

- In case of outdoor applications, install the product in the upright position. Do not install the product horizontal or upside-down positions where water can potentially penetrate into the product and impact its operation.



Installation Environment and Protection Rating

- This product is designed for use with protection rating of IP66.
- If the product is installed in locations that subject it to excessive dust or water other than the designated IP protection rating indicated (IP66), it may cause malfunction or damage to the product.
- For further information, please visit our website (www.qlight.com).

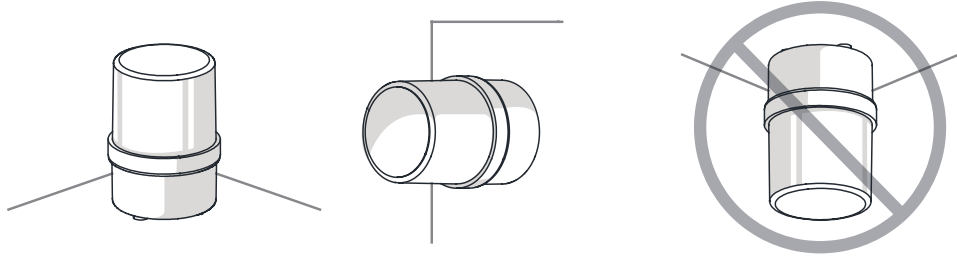
Product installation direction

- Install the product in accordance with the manual. Otherwise rainwater or moisture may penetrate into the product.

· BEACON/SIGNALING LIGHT

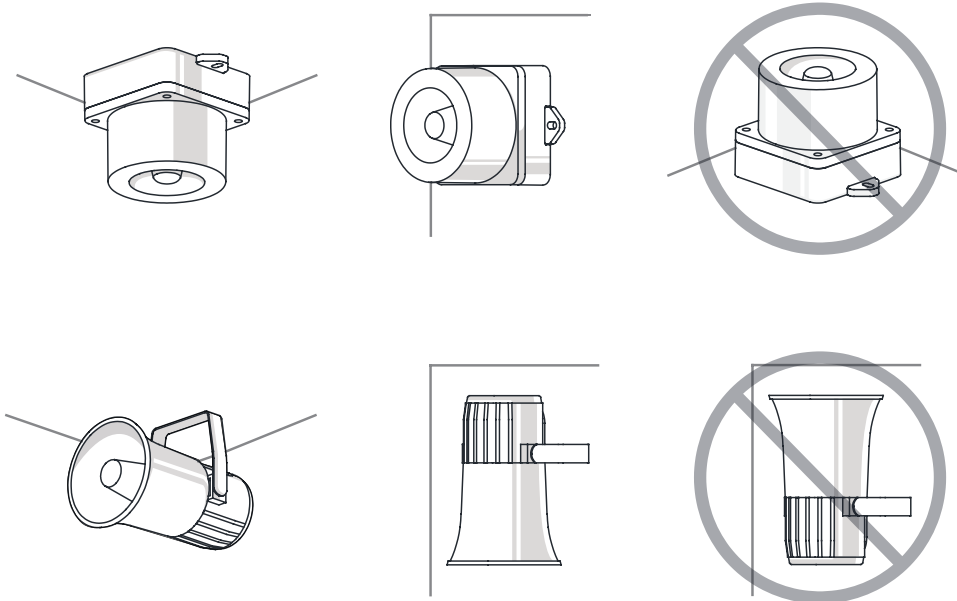
※ For products with a protection rating of less than IPX4, please install it vertically.

Power cord inlet part shall not be facing the sky.



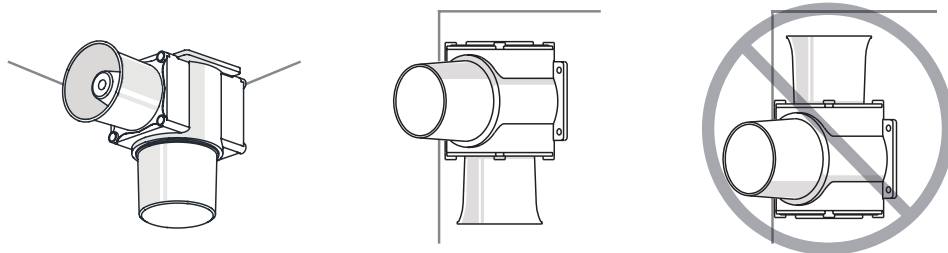
· ELECTRONIC SOUNDER/SIGNAL HORN

Sounder part shall not be facing the sky.



· HEAVY-DUTY & EXPLOSION PROOF SIGNALINGS

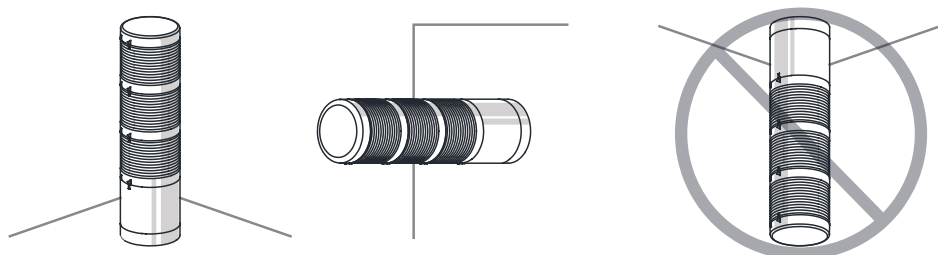
Sounder part shall not be facing the sky.



· SIGNAL TOWER LIGHTS

※ For products with a protection rating of less than IPX4, please install it vertically.

Power cord inlet part shall not be facing the sky.





For your safety

Specification and dimensions listed in this catalogue subject to change without notice for product quality improvement.
The newest product information is available on our website.(www.qlight.com)
Please read the instruction manual attached to the product carefully before installation and use.

Qlight Co., Ltd. www.qlight.com | trade@qlight.com

Head Office | Suite #1510, STX-V Tower, 128 Gasan digital 1-ro, Geumcheon-gu, Seoul, Korea

Tel. +82-2-2679-6152(Toll free. +82-80-328-2222) Fax. +82-2-2679-6154

Factory | 185-25, Mukbang-ro, Sangdong-myeon, Gimhae-si, Gyeongsangnamdo, Korea Tel. +82-55-328-1111(Toll free. +82-80-328-1111)

Qlight OverSEAs Sales Dept | 704 Nakdong-daero, Sasang-gu, Busan, Korea(Eomgung-Dong) Tel : +82-51-620-4100

Qlight Public Relations & Marketing Team Office | 704 Nakdong-daero, Sasang-gu, Busan, Korea(Eomgung-Dong) Tel. +82-51-245-0017

Qlight USA, Inc. www.qlight.com www.qlightusa.com | sales@qlightusa.com

3003 North First Street, Suite #341, San Jose, CA 95134 USA Tel. +1-408-519-5740 Fax. +1-408-519-5739

SHANGHAI Qlight Electronic Co., Ltd. www.qlight.com www.qlightcn.com | qlightcn@qlight.com

China Factory/ Shanghai Sales Office | #19, Nanda Road, Baoshan Area, Shanghai, China Tel. +86-21-6651-7100 Fax. +86-21-6315-3929

China Factory Site 2 (Qidong) | #33, Haiyan Road, Qidong High-tech Industrial Development Zone, Qidong, Jiangsu Province, China

Tel +86-513-8384-9999 Fax +86-513-8384-9910

Qlightec

Innovation in Alarm & Signal

Product Operation Inquiry / Customer Support +82-51-620-4100

You can expect prompt service if you have exact information such as model name, symptom, telephone number and address.

※ ALL PRODUCT, PRODUCT SPECIFICATIONS AND DATA ARE SUBJECT TO CHANGE WITHOUT NOTICE TO IMPROVE RELIABILITY, FUNCTION OR DESIGN OR OTHERWISE.

Head office : Suite #1510, STX-V Tower, 128 Gasan digital 1-ro, Geumcheon-gu, Seoul, Korea (Postal Code : 08507)

Factory : 185-25, Mukbang-Ro, Sangdong-Myeon, Gimhae-Si, Gyeongsangnam-Do, Korea (Postal Code : 50805)

www.qlight.com

EN - SEDL - 2304A