

SED / SD / SMD Series

Wall mount warning light and electric horn combinations featuring superior durability, tight seal, and corrosion resistance, designed for vessels and heavy Industrial applications



PRODUCT SPECIFICATION

SED | SD | SMD

Materials Lens-PC, Housing-Al, Protection cage-STS316L, Reflector-PC, Reflector-Heat resistant ABS

Protection rating IP66

Housing standard color MUNSELL No. 7.5BG 7/2



Cable entry 1/2" PF

- Wall mount warning light and electric horn combinations for vessels and heavy industrial applications
- Aluminum housing and polycarbonate lens material provides excellent impact and shock resistance
- Excellent hermetic structure that block water and dust
- Can select a variety of light source (bulb, LED, xenon lamp) and sound pattern combination
- Attached terminal box enables easy wiring
- Can adjust sound volume and select sound pattern with the switches built inside the products

- **SED Series** Ø125mm warning light & electric horn with Max. 114dB sound output
- **SD Series** Ø150mm warning light & electric horn with Max. 114dB sound output
- **SMD Series** Ø150mm warning light & electric horn with Max. 120dB sound output

1 Lens

- Utilizes a strong and durable polycarbonate material with excellent shock and vibration resistance.

	Light transmission type	LED revolving type(SEDLR) LED revolving type(SED)
	Light diffusion type	LED steady/flashing type(SEDL) Xenon lamp strobe type(SEDs)

2 Protection cage

- The durable protection cage is made of corrosion resistant stainless steel that prevents damage to the lens from external contact
- Materials: STS316L

A Variety of Selectable Light Source and Function Combinations

You can select from a variety of light sources for your work environment, condition, and purpose. Basic specifications are as follows.

- LED revolving type
- LED steady/flashing type
- xenon lamp strobe type
- Bulb revolving type

Customization

- LED Strobe type
- LED revolving type

3 A variety of selectable warning sounds and sound messages

You can convey specific information with a variety of 20 warning sounds and voice messages.

Sound	Built-in sound	Ch	Sound Tone
WS	5 Warning sounds	Ch1	Fire.A-ANG
		Ch2	Emergency WA-U(Yelp)
		Ch3	Ambulance PI-PO(Hi-low)
		Ch4	Machinery Fault
		Ch5	High Expansion
WP	5 Special warning sounds	Ch1	Fire.A-ANG
		Ch2	Abandon Alarm
		Ch3	Machinery Fault
		Ch4	High Expansion
		Ch5	7 Short Pl. / 1 Long
WM	5 Melodies	Ch1	Sweet Home
		Ch2	For Elise
		Ch3	Cuckoo's Waltz
		Ch4	Piano Sonata
		Ch5	Turkish March
WA	5 Alarms	Ch1	Beep Intermittent
		Ch2	Door Chime
		Ch3	Phone Ring
		Ch4	Pl.PI.PI Short
		Ch5	Tripping Beat
WV	5 Customizable voices	Ch1- Ch5	Customized sound tones

4 Housing

- The special aluminum housing features superior durability
- The housing is corrosion resistant from a special anodized surface treatment process
- Materials: Al

5 Terminal Box

- Terminal box is located at the bottom of the product for easy wiring
- Materials: Al

SED / SD / SMD Series

SED / SD / SMD Series Product Categories



Standard type

- No protection cage is provided
- Recommended for the places where the lens is not damaged by external contact
- SED / SD / SMD Series



Protection cage type

- Provided with protection cage
- Lens can be protected from the damage by external contact
- SEDP / SDP / SMDP Series

SED / SD / SMD Series References

	SED Series	SD Series	SMD Series
Diameter/dB	Ø125mm, Max.114dB at 1m	Ø150mm, Max.114dB at 1m	Ø150mm, Max.120dB at 1m
Materials	Lens-PC, Housing-Al, Protection cage-ST316L, Reflector-PC, Reflector-Heat resistant ABS		
Protection rating	IP66		
Certificates	CCS, CE	CE	-
Cable entry	Standard : 1/2"PF (Customized cable entry available : 3/4"PF)		
Mounting	Wall mount		

	Standard type	Built-in protection cage	Standard type	Built-in protection cage	Standard type	Built-in protection cage
--	---------------	--------------------------	---------------	--------------------------	---------------	--------------------------

LED revolving

Bulb revolving



SEDLR
SED

SEDLRP
SEDP

SDLR
SD

SDLRP
SDP

SMDLR
SMD

SMDLRP
SMDP

LED steady/flashing

Xenon lamp strobe



SEDL
SEDS

SEDLP
SEDSP

SDL
SDS

SDLP
SDSP

SMDL
SMDS

SMDLP
SMDSP

Warning Lights and Electric Horns for Vessels and Heavy Industry Applications

SD Series



Ø150mm signal light and Max.114dB electric horn combination

SDLR / SDLRP LED Revolving Warning Light & Electric Horn Combination



SDLR

Model number	Voltage	Current	Sound Pattern and Volume	Certificates	Weight	Color
SDLR SDLRP	DC12V	2.633A	·WS-5 Warning sounds: Max.114dB ·WP-5 Special warning sounds : Max.114dB ·WM-5 Melodies: Max.110dB ·WA-5 Alarms: Max.114dB ·WV-5 Customizable voices: 108-113dB	-	·SDLR	● R-Red ● A-Amber ● G-Green ● B-Blue
	DC24V	1.288A			DC-3.36kg	
	AC110V	0.308A			·SDLRP	
	AC220V	0.154A			DC-3.65kg AC-4.42kg	

- Revolving speed: 120-140RPM, Ø150mm
- Ambient operating temperature: -20°C to +50°C

SDL / SDLP LED Steady/Flashing Warning Light and Electric Horn Combination



SDL / SDS

Model number	Voltage	Current	Sound Pattern and Volume	Certificates	Weight	Color
SDL SDLP	DC12V	2.511A	·WS-5 Warning sounds: Max.114dB ·WP-5 Special warning sounds : Max.114dB ·WM-5 Melodies: Max.110dB ·WA-5 Alarms: Max.114dB ·WV-5 Customizable voices: 108-113dB	-	·SDL	● R-Red ● A-Amber ● G-Green ● B-Blue
	DC24V	1.222A			DC-3.22kg	
	AC110V	0.286A			·SDLP	
	AC220V	0.143A			DC-3.51kg AC-3.93kg	

- Flashing rate: 60-80 flashes/min(Built-in steady/flashing selection switch), Ø150mm
- Ambient operating temperature: -30°C to +50°C

SDS / SDSP Xenon Lamp Strobe Warning Light and Electric Horn Combination



SD

Model number	Voltage	Current	Bulb			Sound Pattern and Volume	Certificates	Weight	Color
			Spec	Standard	Parts no				
SDS SDSP	DC12V	2.933A	200V -550V	EUB0641 -1A(G) U type	48	·WS-5 Warning sounds : Max.114dB ·WP-5 Special warning sounds: Max.114dB ·WM-5 Melodies : Max.110dB ·WA-5 Alarms : Max.114dB ·WV-5 Customizable voices: 108-113dB	-	·SDS	● R-Red ● A-Amber ● G-Green ● B-Blue
	DC24V	1.411A						DC-3.28kg	
	AC110V	0.360A						·SDSP	
	AC220V	0.220A						DC-3.57kg AC-3.95kg	

- Convenient lamp exchange by adopting a connector type lamp installation
- Flashing rate: 60-80 flashes/min, Ø150mm
- Ambient operating temperature: -30°C to +50°C

SD / SDP Bulb Revolving Warning light and Electric Horn Combination

Model number	Voltage	Current	Bulb			Sound Pattern and Volume	Certificates	Weight	Color
			Spec	Standard	Parts no				
SD SDP	DC12V	3.755A	12V15W	G23 15S	17	·WS-5 Warning sounds : Max.114dB ·WP-5 Special warning sounds: Max.114dB ·WM-5 Melodies : Max.110dB ·WA-5 Alarms : Max.114dB ·WV-5 Customizable voices: 108-113dB	CE	·SD	● R-Red ● A-Amber ● G-Green ● B-Blue
	DC24V	1.788A	24V15W	G23 15S	18			DC-3.43kg	
	AC110V	0.422A	12V15W	G23 15S	17			·SDP	
	AC220V	0.211A	12V15W	G23 15S	17			DC-3.72kg AC-4.50kg	

- Revolving speed: 120-140RPM, Ø150mm
- Ambient operating temperature: -20°C to +50°C

※ CE compliant : DC24V

※ Max. built-in volume feature is based on WS/WP-Ch1/WM-Ch4 / WA-Ch4.

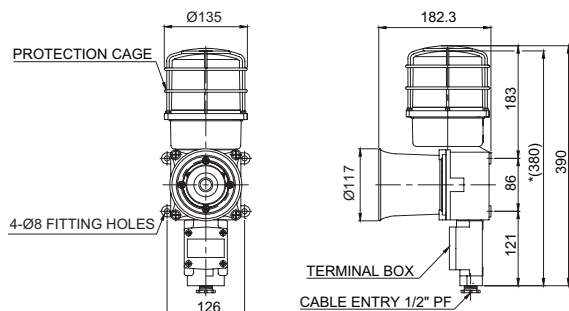
※ In case of customized WV 5 tone type, there may be difference of volume depending on user's audio file type.

SED / SD / SMD Series

Technical Diagram

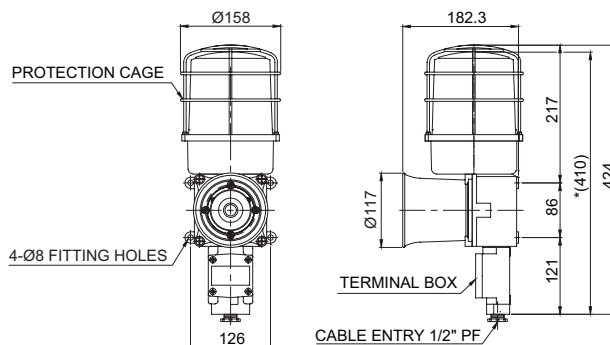
Units: mm

•SEDLRP / SEDLP / SEDSP / SEDP



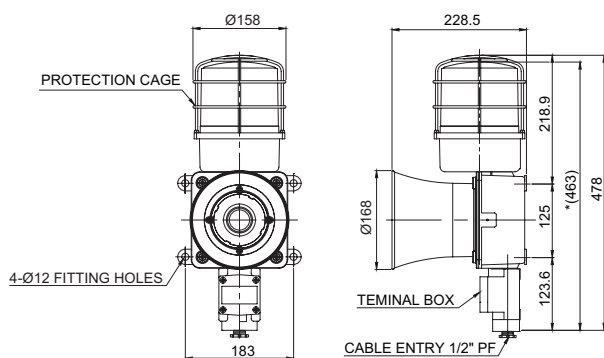
※ *(380)size without protection cage.

•SDLRP / SDLP / SDSP / SDP



※ *(410)size without protection cage.

•SMDLRP / SMDLP / SMDSP / SMDP



※ *(462)size without protection cage.

Customization

- Cable gland type
- Customized cable entry(3/4"PF) available(Standard : 1/2"PF)
- Customized external sound line type available : SED/SD/SMD series have built-in switch for sound tone selection
Customized wiring in case of external contact or transistor wiring type as sound tone selector (Model number : -LC)
- Brass housing
Brass housing for SD/ SMD series are optionally provided which has excellent anti-corrosive properties

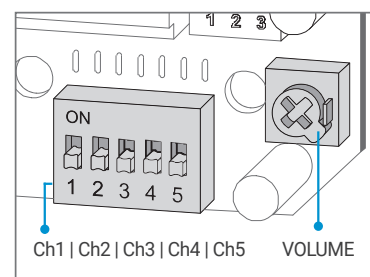
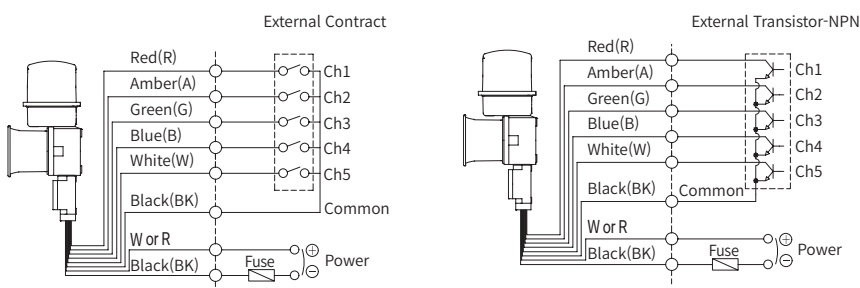
※ Color will be MUNSSELL No. 7.5BG 7/2 when Released.

Sound Selection Instructions and Wiring

•SED / SD / SMD Series-DC/AC

- Customization: External contact(LC)

- Standard Type: Select sound using the switch inside of the unit. When you turn on the dip switch for each channel, the designated sound will be played.



Wiring Instructions

- SED, SEDLR, SD, SDLR, SMD, SMDLR - Black output line is negative(-).

Ordering Specification

SEDLR	-	WA	-	24	-	R
[Model number]		[Sound]		[Voltage]		[Color]
SEDLR / SEDLRP / SEDL / SEDLP SEDS / SEDSP / SED / SEDP SDLR / SDLRP / SDL / SDLP SDS / SDSP / SD / SDP SMDLR / SMDLRP / SMDL / SMDLP SMDS / SMDSP / SMD / SMDP		WS-Warning sounds WP-Special warning sounds WM-Melodies WA-Alarms WV-Customizable voices		12-DC12V 24-DC24V 110-AC110V 220-AC220V		● R-Red ● A-Amber ● G-Green ● B-Blue