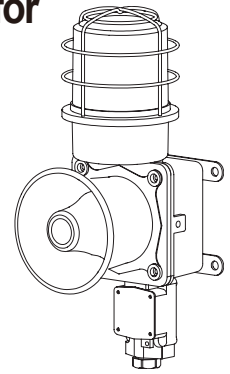


# Bulb Revolving Warning Light and Electric Horn Combination for Vessels and Heavy Industry Applications

## SED/ SD/ SMD



Thank you for purchasing Qlight's products. Please read this user manual carefully prior to installation and operation to ensure safe and correct use.

### ⚠️ Precautions for Safety

Failure to follow the instructions below may cause a loss of life or serious physical injury.

1. During wiring or maintenance, please completely turn off the Power of the product. (Failure to follow this may lead to an electric shock.)
2. Do not install the product in locations that subjects it to excessive dust or water other than the conditions designated by the IP protection ratings indicated for each product. (Failure to follow these instructions may cause a fire to the product, electric shock, physical injury, malfunction or damage to the product.)
3. Do not alter or repair this product. If maintenance or repair service is required, please contact your local Qlight contact point. (Failure to follow these instructions may lead to fire, electric shock, or product damage.)
4. Please apply the correct voltage to the product. (Failure to follow these instructions may lead to fire, electric shock, or product damage.)
5. When the product is applied to a condition that may impact lives or property, please make sure to have a double safety device. (Failure to follow this may cause damage to property, fire, electric shock and loss of life.)

### ⚠️ Precautions for Correct Use

Failure to follow the proper instructions may cause damage to property, the product, or malfunction of the product that would void the warranty.

1. Please remove any objects that can interrupt ventilation around the product.
2. Please turn off the Power of the product immediately if it fails to operate properly.
3. Carefully wire the product according to each product's specification.
4. Please be careful in preventing chemicals such as thinner, benzene, etc. in contact with the surface of the product.
5. Do not apply excessive force/impact to the product.
6. Failure to follow any of the instructions above may cause malfunction or damage to the product, fire, and electric shock.

### Ordering Specifications




| SED   | WA   | 24   | R   |
|---|--|--|---|
| [Model number]  | [Sound]  | [Voltage]  | [Color]   |
| <ul style="list-style-type: none"> <li>• SED</li> <li>• SEDP</li> <li>• SD</li> <li>• SDP</li> <li>• SMD</li> <li>• SMDP</li> </ul> | <ul style="list-style-type: none"> <li>• WS-Warning sounds</li> <li>• WP-Special warning sounds</li> <li>• WM-Melodies</li> <li>• WA-Alarms</li> <li>• WV-Customizable sounds</li> </ul> | <ul style="list-style-type: none"> <li>• 12 - DC12V</li> <li>• 24 - DC24V</li> <li>• 110 - AC110V</li> <li>• 220 - AC220V</li> </ul> | <ul style="list-style-type: none"> <li>R-Red</li> <li>A-Amber</li> <li>G-Green</li> <li>B-Blue</li> </ul> |



Please scan the QR code for more detailed product information.

[www.qlight.com](http://www.qlight.com)

## Product Specifications

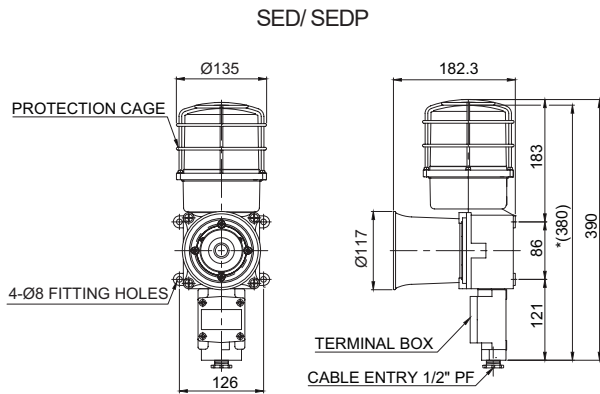
| Model number | Voltage | Current | Bulb specifications |               |       | Sound pattern and volume   | Certificate   | Weight  | Color   |
|--------------|---------|---------|---------------------|---------------|-------|--|---|---|---|
|              |         |         | Volts/Watts         | Configuration | Part# |  |   |   |   |
| SED<br>SEDP  | DC12V   | 3.755A  | 12V15W              | G23 15S       | 17    | <ul style="list-style-type: none"> <li>• WS-5 Warning Sounds : Max.114dB</li> <li>• WP-Special warning sounds : Max.114dB</li> <li>• WM-5 Melodies : Max.110dB</li> <li>• WA-5 Alarms : Max.114dB</li> <li>• WV-5 Customizable sounds : Max.108-113dB</li> </ul> |  | <ul style="list-style-type: none"> <li>• SED DC-3.17kg, AC-3.94kg</li> <li>• SEDP DC-3.42kg, AC-4.19kg</li> </ul> | <ul style="list-style-type: none"> <li>R-Red</li> <li>A-Amber</li> <li>G-Green</li> <li>B-Blue</li> </ul> |
|              | DC24V   | 1.788A  | 24V15W              | G23 15S       | 18    |  |   |   |   |
|              | AC110V  | 0.422A  | 12V15W              | G23 15S       | 17    |  |   |   |   |
|              | AC220V  | 0.211A  | 12V15W              | G23 15S       | 17    |  |   |   |   |
| SD<br>SDP    | DC12V   | 3.755A  | 12V15W              | G23 15S       | 17    |  |  | <ul style="list-style-type: none"> <li>• SD DC-3.43kg, AC-4.21kg</li> <li>• SDP DC-3.72kg, AC-4.50kg</li> </ul>   |   |
|              | DC24V   | 1.788A  | 24V15W              | G23 15S       | 18    |  |   |   |   |
|              | AC110V  | 0.422A  | 12V15W              | G23 15S       | 17    |  |   |   |   |
|              | AC220V  | 0.211A  | 12V15W              | G23 15S       | 17    |  |   |   |   |
| SMD<br>SMDP  | DC12V   | 3.644A  | 12V15W              | G23 15S       | 17    | <ul style="list-style-type: none"> <li>• WS-5 Warning Sounds : Max.120dB</li> <li>• WP-Special warning sounds : Max.120dB</li> <li>• WM-5 Melodies : Max.115dB</li> <li>• WA-5 Alarms : Max.118dB</li> <li>• WV-5 Customizable sounds : 109-117dB</li> </ul>     |  | <ul style="list-style-type: none"> <li>• SMD DC-5.98kg, AC-6.76kg</li> <li>• SMDP DC-6.27kg, AC-7.05kg</li> </ul> |   |
|              | DC24V   | 1.822A  | 24V15W              | G23 15S       | 18    |  |   |   |   |
|              | AC110V  | 0.448A  | 12V15W              | G23 15S       | 17    |  |   |   |   |
|              | AC220V  | 0.224A  | 12V15W              | G23 15S       | 17    |  |   |   |   |

※ CE compliant : DC24V

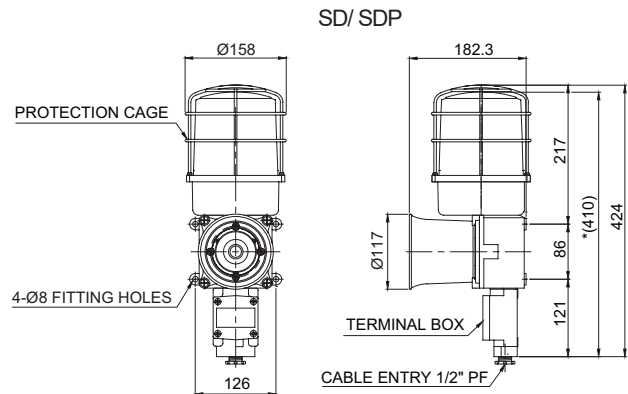
- Protection rating : IP66
- Ambient operating temperature : -20°C to +50°C

## Dimensions

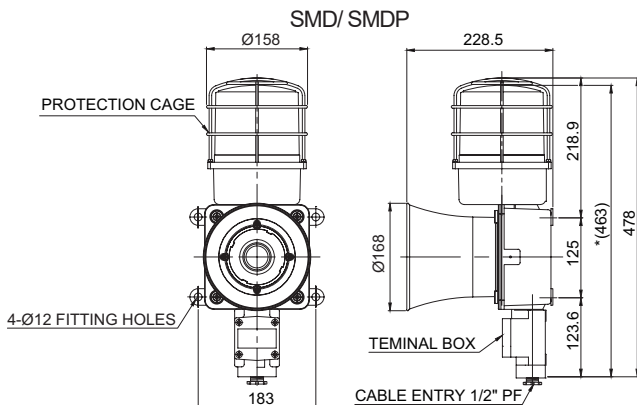
(Units : mm)



※ \*(380) represents SED size without protection cage.

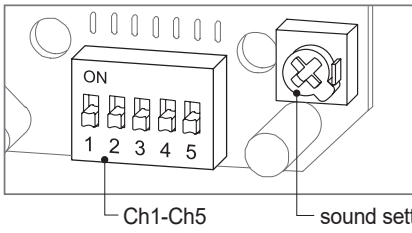


※ \*(410) represents SD size without protection cage.



※ \*(462) represents SMD size without protection cage.

## Sound Selection - Using Internal Switch (Built-in Sound Type)



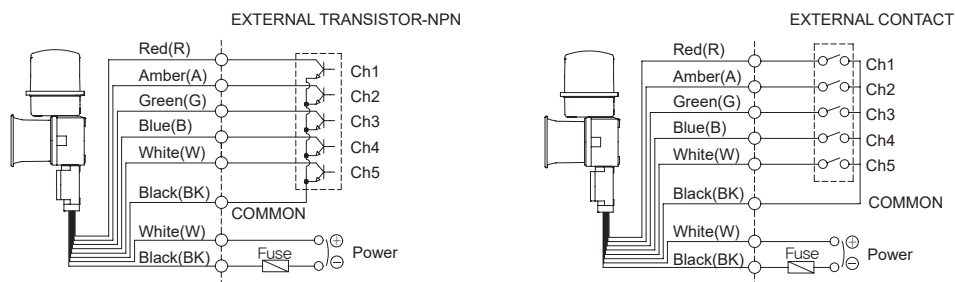
- Standard unit has 5 built-in sound tones. Select different built-in sounds using the sound setting switch.
- For standard type, once the unit is Powered on, light and sound are working simultaneously.

### ■ Sound Type by Group

| Category | Sound pattern            | Channel | Sound tone                                     | Volume (Max.)      |           |
|----------|--------------------------|---------|--|--------------------|-----------|
|          |                          |         |  | SED/ SEDP/ SD/ SDP | SMD/ SMDP |
| WS       | 5 Warning sounds         | Ch1     | Fire.A-ANG                                     | 114dB              | 120dB     |
|          |                          | Ch2     | Emergency WA-U                                 |                    |           |
|          |                          | Ch3     | Ambulance PI-PO                                |                    |           |
|          |                          | Ch4     | Machinery Fault                                |                    |           |
|          |                          | Ch5     | High Expansion                                 |                    |           |
| WP       | 5 Special Warning sounds | Ch1     | Fire.A-ANG                                     | 114dB              | 120dB     |
|          |                          | Ch2     | Abandon Alarm                                  |                    |           |
|          |                          | Ch3     | Machinery Fault                                |                    |           |
|          |                          | Ch4     | High Expansion                                 |                    |           |
|          |                          | Ch5     | 7 Short Pl. / 1 Long                           |                    |           |
| WM       | 5 Melodies               | Ch1     | Sweet Home                                     | 110dB              | 115dB     |
|          |                          | Ch2     | For Elise                                      |                    |           |
|          |                          | Ch3     | Cuckoo's Waltz                                 |                    |           |
|          |                          | Ch4     | Piano Sonata                                   |                    |           |
|          |                          | Ch5     | Turkish March                                  |                    |           |
| WA       | 5 Alarms                 | Ch1     | Beep Intermittent                              | 114dB              | 118dB     |
|          |                          | Ch2     | Door Chime                                     |                    |           |
|          |                          | Ch3     | Phone Ring                                     |                    |           |
|          |                          | Ch4     | PI.PI.PI Short                                 |                    |           |
|          |                          | Ch5     | Tripping Beat                                  |                    |           |
| WV       | 5 Customizable sounds    | Ch1-Ch5 | Available upon request (customized voice type) | 108-113dB          | 119-117dB |

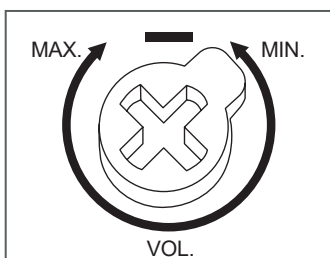
## Wiring Instructions for LC Type

- LC type product with exposed sound selection signal line is available upon request. Please refer to the diagram below for wiring.



- External Power line - UL1015 AWG18(0.75sq) x 2C 400mm
- External signal line - UL1007 AWG22(0.3sq) 400mm

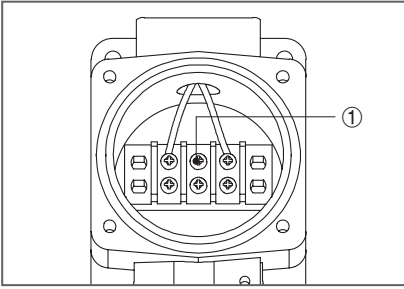
## Volume Adjustment



### Volume Dial

- The volume output of this product is adjustable.
- Turn the volume dial clockwise to increase the volume, and turn counter clockwise to decrease the volume.
- There will be no sound when the dial is put at MIN.

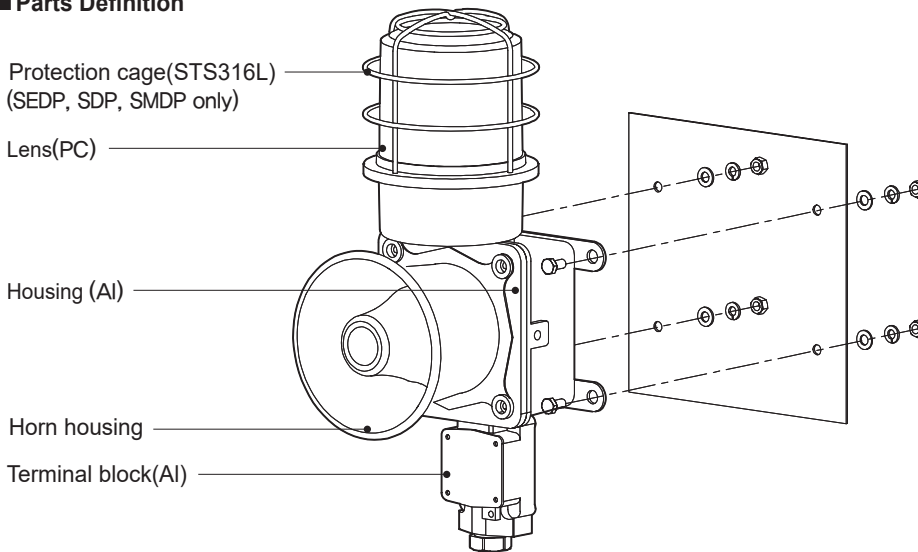
## Terminal Box Wiring Instructions



- Terminal block is located inside of the product. Unscrew the 4 bolts located in the upper body to get rid of the upper lighting element of the unit.
  - Please apply fork (U-type) or ring (O-type) locking spade terminal at naked tip of the wire for secure connection.
  - Please wire the Power line to terminal ①
  - For AC type products, wire regardless of polarity.
  - For DC type products, wire terminal of black line to (-) polarity.
- ※ Applicable cable range : AWG16-AWG22

## Parts Definition/ Installation

### ■ Parts Definition

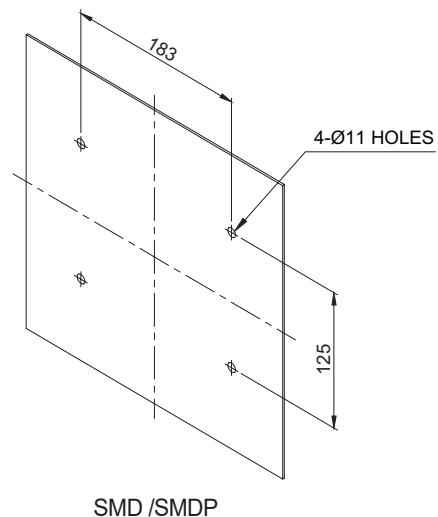
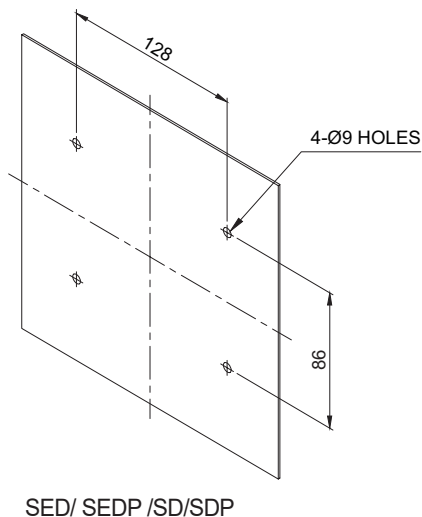


### ■ Installation

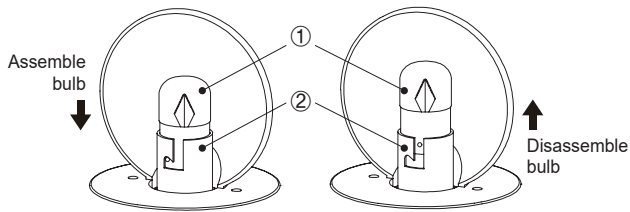
- First, machine taps or holes on the mounting surface.
- The mounting hole of this product is 8mm(SED/SED, SD/SDP only), 11mm(SMD/ SMDP only)mm in diameter(hole).
- When machining taps, fasten the bolt through the mounting hole of the product.
- When machining holes, insert the bolt through the hole of the product, and tighten the nut from the opposite side of the mounting surface.
- When assembling using bolt and nut, please make sure to use flat washer and spring washer.

## Mounting Hole Specifications

- Machine holes on the mounting surface referring to the diagram below.



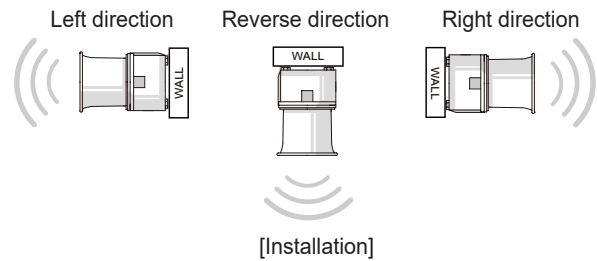
## Bulb Replacement Instructions



- Please wait at least 1 minute after turning off the Power before replacing the bulb.
- In order to disassemble the bulb, please push down the bulb(①) lightly and screw it counterclockwise.
- In order to put the bulb in to the unit, please place the bulb(①) in the socket(②) and screw it clockwise while lightly pushing down the bulb.

## Precautions for installation

- In case of outdoor applications, install the product in the upright position. Do not install the product horizontal or upside-down positions where water can potentially penetrate into the product and impact it's operation.



## Installation Environment and Protection Rating

- This product is designed for use with protection rating of IP66.
- If the product is installed in locations that subject it to excessive dust or water other than the designated IP protection rating indicated(IP66), it may cause malfunction or damage to the product.
- For further information, please visit our website ([www.qlight.com](http://www.qlight.com)).

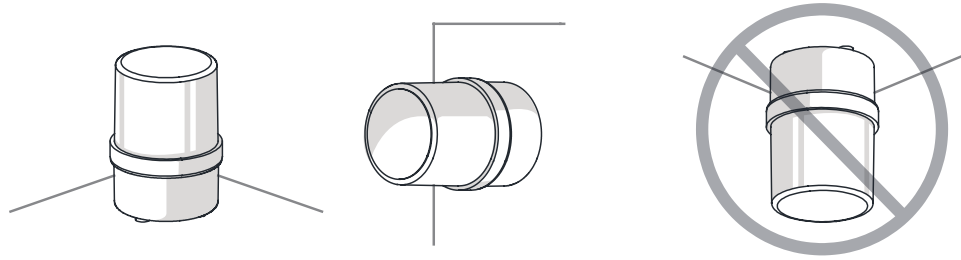
## Product installation direction

- Install the product in accordance with the manual. Otherwise rainwater or moisture may penetrate into the product.

### · BEACON/SIGNALING LIGHT

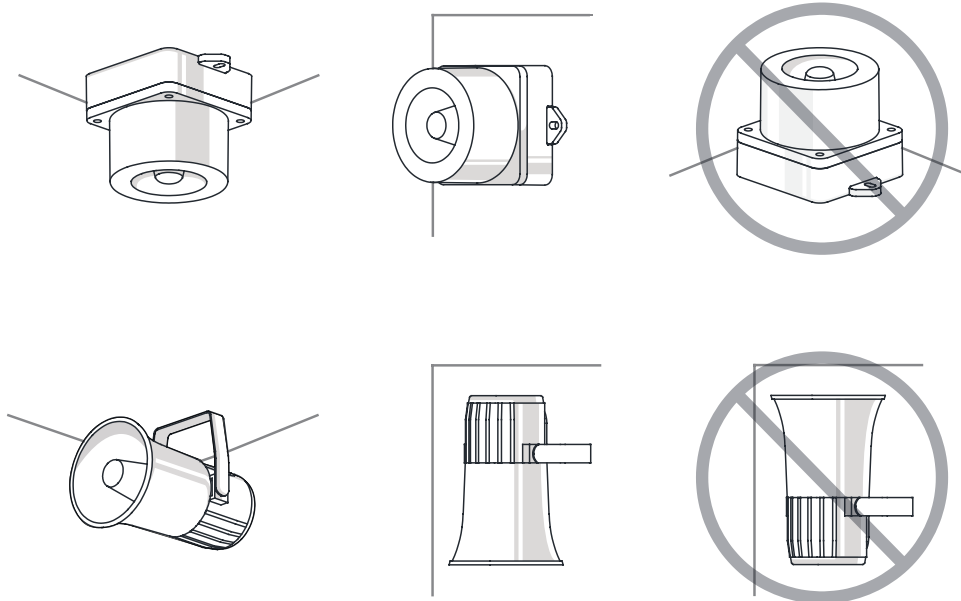
※ For products with a protection rating of less than IPX4, please install it vertically.

Power cord inlet part shall not be facing the sky.



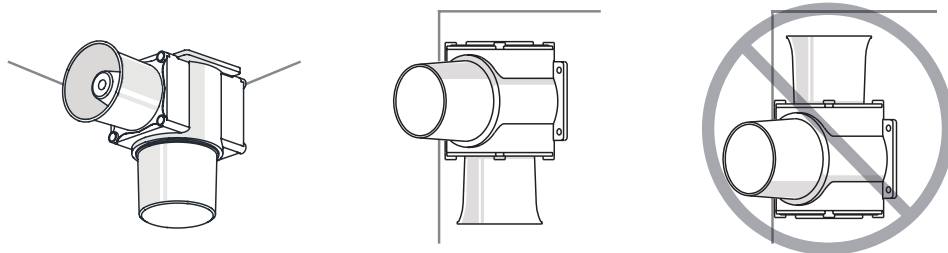
### · ELECTRONIC SOUNDER/SIGNAL HORN

Sounder part shall not be facing the sky.



### · HEAVY-DUTY & EXPLOSION PROOF SIGNALINGS

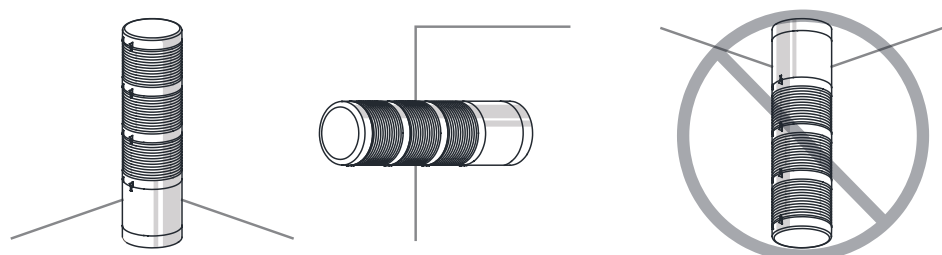
Sounder part shall not be facing the sky.



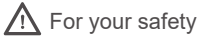
### · SIGNAL TOWER LIGHTS

※ For products with a protection rating of less than IPX4, please install it vertically.

Power cord inlet part shall not be facing the sky.







For your safety

Specification and dimensions listed in this catalogue subject to change without notice for product quality improvement.  
The newest product information is available on our website.(www.qlight.com)  
Please read the instruction manual attached to the product carefully before installation and use.

*Qlight Co., Ltd. www.qlight.com | trade@qlight.com*

Head Office | Suite #1510, STX-V Tower, 128 Gasan digital 1-ro, Geumcheon-gu, Seoul, Korea

Tel. +82-2-2679-6152(Toll free. +82-80-328-2222) Fax. +82-2-2679-6154

Factory | 185-25, Mukbang-ro, Sangdong-myeon, Gimhae-si, Gyeongsangnamdo, Korea Tel. +82-55-328-1111(Toll free. +82-80-328-1111)

Qlight OverSEAs Sales Dept | 704 Nakdong-daero, Sasang-gu, Busan, Korea(Eomgung-Dong) Tel : +82-51-620-4100

Qlight Public Relations & Marketing Team Office | 704 Nakdong-daero, Sasang-gu, Busan, Korea(Eomgung-Dong) Tel. +82-51-245-0017

---

*Qlight USA, Inc. www.qlight.com www.qlightusa.com | sales@qlightusa.com*

3003 North First Street, Suite #341, San Jose, CA 95134 USA Tel. +1-408-519-5740 Fax. +1-408-519-5739

---

*SHANGHAI Qlight Electronic Co., Ltd. www.qlight.com www.qlightcn.com | qlightcn@qlight.com*

China Factory/ Shanghai Sales Office | #19, Nanda Road, Baoshan Area, Shanghai, China Tel. +86-21-6651-7100 Fax. +86-21-6315-3929

China Factory Site 2 (Qidong) | #33, Haiyan Road, Qidong High-tech Industrial Development Zone, Qidong, Jiangsu Province, China

Tel +86-513-8384-9999 Fax +86-513-8384-9910

**Qlightec**

Innovation in Alarm & Signal

Product Operation Inquiry / Customer Support +82-51-620-4100

You can expect prompt service if you have exact information such as model name, symptom, telephone number and address.

※ ALL PRODUCT, PRODUCT SPECIFICATIONS AND DATA ARE SUBJECT TO CHANGE WITHOUT NOTICE TO IMPROVE RELIABILITY, FUNCTION OR DESIGN OR OTHERWISE.

Head office : Suite #1510, STX-V Tower, 128 Gasan digital 1-ro, Geumcheon-gu, Seoul, Korea (Postal Code : 08507)

Factory : 185-25, Mukbang-Ro, Sangdong-Myeon, Gimhae-Si, Gyeongsangnam-Do, Korea (Postal Code : 50805)

www.qlight.com

EN - SED - 2304A