

# QWCD series

## LED Strobe Signal Light and Electric Horn Combinations

### A new concept of using the horn cover as a light globe

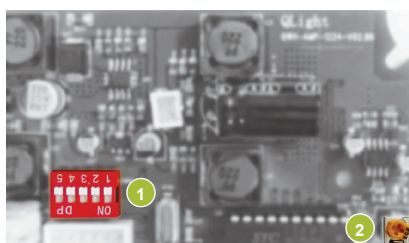


**QWCD series is an integrated horn and light globe.**

QWCD series	
QWCD35(T)	Built-in standard sound
QWCD35(T)SD	MP3(SD Card)
QWCD50	Built-in standard sound, large output sound
QWCD50SD	SD Card(MP3), Large output sound

- By using the horn cover as a light globe, the size of the product has been reduced significantly
- The color of light can be selected from red, yellow, green, or blue
- Product has two models : the basic model with 31 built-in sounds, and an external sound (MP3) type model
- Includes seven different playback functions; one function is the continuous playback function which provides constant message notification
- There are 31 built-in sounds that can be played in various environments, and supports a Binary input method
- You can save and play up to 31 mp3 files using a external SD Card
- Can easily set up the sounds using a PC
- By making the horn cover with polycarbonate (PC) material, The product has excellent durability and weather resistance
- Can be used for heavy-duty, ship, or outdoor use which requires waterproof, dustproof structure (IP66)

#### Built-in sound type



- 1 Sound selection switch
- 2 Volume

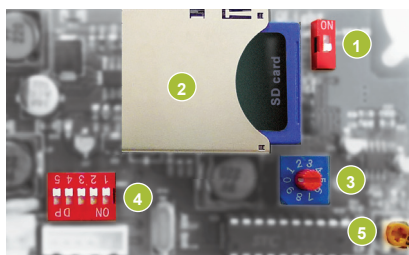
#### The input method of built-in sound type

No.	1	2	3	4	5
0	0	0	0	0	0
1	0	0	0	0	1
2	0	0	0	1	0
:	:	:	:	:	:
31	1	1	1	1	1

Built-in sound type model supports Binary input mode which provides a selection of 31 different input combinations for five kinds of sounds.

You can only select 2 numbers with 1 switch; "0", "1". With 5 switches you can have 31 combinations. Selecting one sound from 5 switches is the Binary input method.

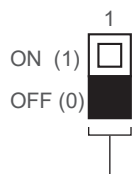
#### SD Card(MP3) type



- 1 Sound setting switch
- 2 MP3 playable SD Card
- 3 Play mode setting switch
- 4 Sound select switch
- 5 Volume

#### The sound selection method of SD Card type

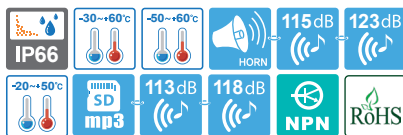
Can easily select built-in sound or external sound(MP3) by using the sound selection switch.



**The sound selection**  
 0 : Select built-in sound  
 1 : Select SD Card

- 31 built-in special warning sounds
- Supports SD Card (MP3)
- Binary Input : 31Ch
- Bit Input : 5Ch (SD Card only)
- A multifunctional product that can play MP3 files using an SD Card
- Please refer to Page 144 for detailed settings
- Built-in sound is set to #1 as default

# QWCD series



- Qlight's exclusive innovative design - the horn cover emits light!
- Combination of 31 sound options built in and SD Card(MP3) option



QWCD35 series

## LED Strobe Signal Light and Electric Horn Combinations

### Common Specifications(QWCD35/ QWCD35SD/ QWCD50/ QWCD50SD)

- Easy device customization with built in sound selection function, volume adjustment function and an SD Card slot for user inputted tones
- 31 available tones that can be selected for a variety of environments
- The user can select their own tones by inputting the MP3 file directly into the SD Card
- 31 pre-recorded tones available via binary input
- Suitable for use in environments that require a tight seal and superior dust protection rated IP66
- Easy wiring through external terminal box (QWCD35T, QWCD35TSD, QWCD50T, QWCD50TSD)
- Flashing rate : 60-80 flashes/min
- Materials : Horn-PC, Body-PC+ABS
- Ambient operating temperature : -30°C to +60°C(Standard type)  
-50°C to +60°C (Low temperature type only DC)  
-20°C to +50°C(SD Card type)
- Protection Rating : IP66
- Certificates : CE Compliant, UL Listed, CCS
- Compliant with RoHS directive

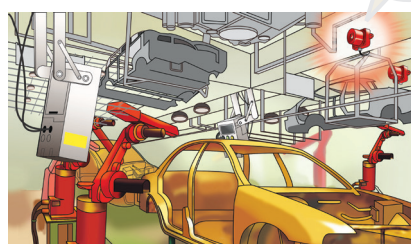
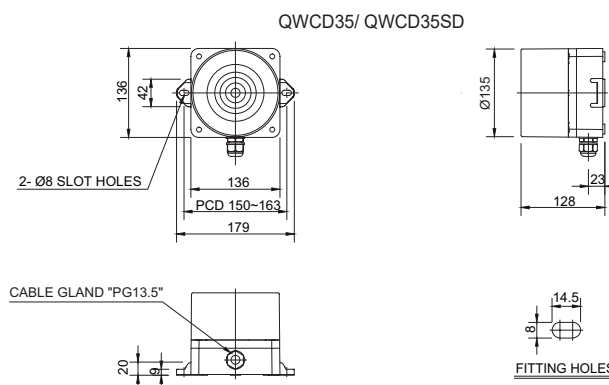
### QWCD35 LED Strobe Signal Light and Electric Horn Combination

Model number	Voltage	Current	Sound Pattern and Volume	Certificates	Weight	Color
QWCD35 Built-in standard sound	DC12V-24V	Max. 1.300A	• Bit Input : 5Ch (SD Card) • Binary Input : 31Ch	 DC only	1.10kg	• R-Red • A-Amber • G-Green • B-Blue
	AC110V-220V	Max. 0.350A				
QWCD35SD MP3	DC12V-24V	Max. 1.200A	• Warning Sounds: 115dB • MP3 Messages : 113dB	 DC only	1.15kg	• R-Red • A-Amber • G-Green • B-Blue
	AC110V-220V	Max. 0.310A				

- ※ DC type model has a free-voltage range of 10V-30V.
- ※ AC type model has a free-voltage range of 100V-240V.

### Technical Diagram

(Units : mm)



QWCD35 model applied in an automobile production plant environment.

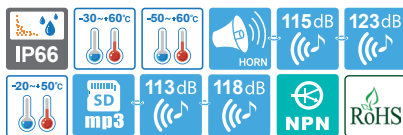
### QWCD50 LED Strobe Light and Electric Horn Combination

Model number	Voltage	Current	Sound Pattern and Volume	Certificates	Weight	Color
QWCD50 Built-in standard sound	DC12V-24V	Max.5.450A	• Bit Input : 5Ch (SD Card) • Binary Input : 31Ch	 DC only	2.70kg	• R-Red • A-Amber • G-Green • B-Blue
	AC110V-220V	Max.0.900A				
QWCD50SD MP3	DC12V-24V	Max.3.800A	• Warning Sounds: 123dB • MP3 Messages : 118dB	 DC only	3.00kg	• R-Red • A-Amber • G-Green • B-Blue
	AC110V-220V	Max.0.720A				

- ※ DC type model has a free-voltage range of 10V-30V.
- ※ AC type model has a free-voltage range of 100V-240V.

# QWCD series

## LED Strobe Signal Light and Electric Horn Combinations



- Qlight's exclusive innovative design - the horn cover emits light!
- Combination of 31 sound options built in and SD Card(MP3) option

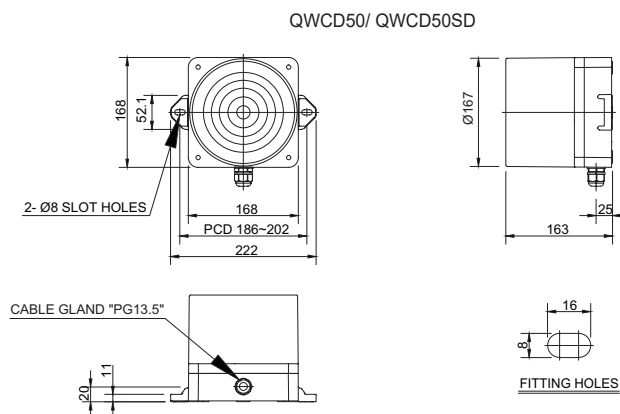


QWCD50 series



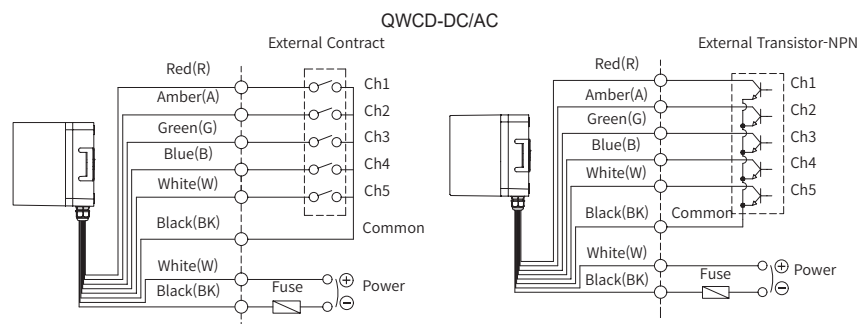
### Technical Diagram

(Units : mm)



### Wiring Instructions

- Standard specification : Uses internal switches
- Customization : Uses external contact



- Wiring to external contact and transistor
- Wiring to transistor, use the NPN transistor
- Power line standard UL1015 AWG18(0.75sq)×2C 400mm
- Signal line standard UL1007 AWG22(0.3sq) 400mm
- DC type : Black output line is negative(-)
- Channel selection : Bit input, 5 sound tones for each group
- Binary input 31 sound tones output

\* Please refer to Page 146 for set of channel input.  
(If wiring is changed by channel selection switch)



### Customization

- External sound selection line(Model number : -LC)



### Ordering Specification

<b>QWCD50</b>	-	<b>110/220</b>	-	<b>R</b>	-	<b>LC</b>
[Model number]		[Voltage]		[Color]		[sound selection]
• QWCD50 • QWCD50SD		• 12/24 -DC12V-24V • 110/220 -AC110V-220V		• R-Red • A-Amber • G-Green • B-Blue		• (Blank) -Standard type • LC Type -Uses external contact