

# QWCD series

## LED Strobe Signal Light and Electric Horn Combinations

### A new concept of using the horn cover as a light globe

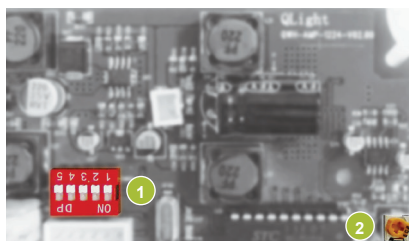


**QWCD series is an integrated horn and light globe.**

QWCD series	
QWCD35(T)	Built-in standard sound
QWCD35(T)SD	MP3(SD Card)
QWCD50	Built-in standard sound, large output sound
QWCD50SD	SD Card(MP3), Large output sound

- By using the horn cover as a light globe, the size of the product has been reduced significantly
- The color of light can be selected from red, yellow, green, or blue
- Product has two models : the basic model with 31 built-in sounds, and an external sound (MP3) type model
- Includes seven different playback functions; one function is the continuous playback function which provides constant message notification
- There are 31 built-in sounds that can be played in various environments, and supports a Binary input method
- You can save and play up to 31 mp3 files using a external SD Card
- Can easily set up the sounds using a PC
- By making the horn cover with polycarbonate (PC) material, The product has excellent durability and weather resistance
- Can be used for heavy-duty, ship, or outdoor use which requires waterproof, dustproof structure (IP66)

#### Built-in sound type



- 1 Sound selection switch
- 2 Volume

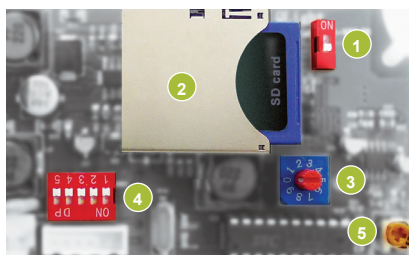
#### The input method of built-in sound type

No.	1	2	3	4	5
0	0	0	0	0	0
1	0	0	0	0	1
2	0	0	0	1	0
:	:	:	:	:	:
31	1	1	1	1	1

Built-in sound type model supports Binary input mode which provides a selection of 31 different input combinations for five kinds of sounds.

You can only select 2 numbers with 1 switch; "0", "1". With 5 switches you can have 31 combinations. Selecting one sound from 5 switches is the Binary input method.

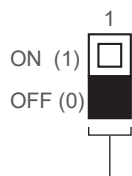
#### SD Card(MP3) type



- 1 Sound setting switch
- 2 MP3 playable SD Card
- 3 Play mode setting switch
- 4 Sound select switch
- 5 Volume

#### The sound selection method of SD Card type

Can easily select built-in sound or external sound(MP3) by using the sound selection switch.

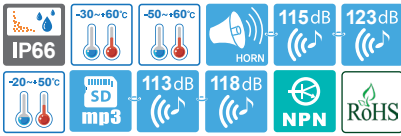


**The sound selection**  
 0 : Select built-in sound  
 1 : Select SD Card

- 31 built-in special warning sounds
- Supports SD Card (MP3)
- Binary Input : 31Ch
- Bit Input : 5Ch (SD Card only)
- A multifunctional product that can play MP3 files using an SD Card
- Please refer to Page 144 for detailed settings
- Built-in sound is set to #1 as default

# QWCD series

## LED Strobe Signal Light and Electric Horn Combinations



- Qlight's exclusive innovative design - the horn cover emits light!
- Combination of 31 sound options built in and SD Card (MP3) option
- Allows for easy wiring with terminal box and 2 cable gland equipped



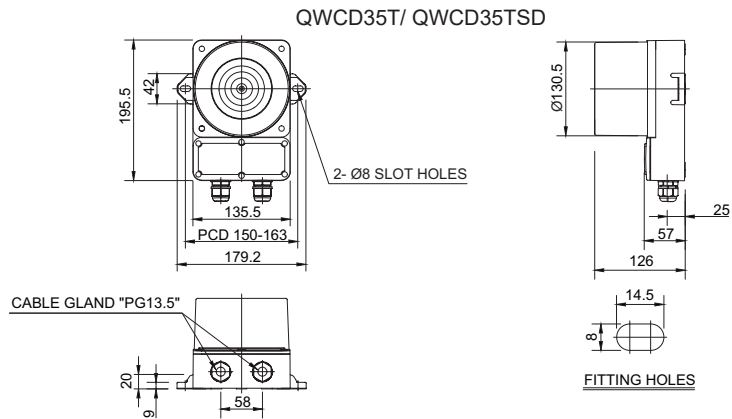
QWCD35T series

### QWCD35T Terminal Box Equipped LED Strobe Signal Light and Electric Sounder Combinations

Model number	Voltage	Current	Sound Pattern and Volume	Certificates	Weight	Color
QWCD35T Terminal box equipped type Built-in sound type	DC12V-24V	Max. 1.300A	<ul style="list-style-type: none"> <li>• Bit Input : 5Ch (SD Card)</li> <li>• Binary Input : 31Ch</li> <li>• Warning Sounds: 115dB</li> <li>• MP3 Messages : 113dB</li> </ul>	CE	1.30kg	<ul style="list-style-type: none"> <li>• R-Red</li> <li>• A-Amber</li> <li>• G-Green</li> <li>• B-Blue</li> </ul>
	AC110V-220V	Max. 0.350A				
QWCD35TSD Terminal box equipped type MP3	DC12V-24V	Max. 1.200A	<ul style="list-style-type: none"> <li>• Bit Input : 5Ch (SD Card)</li> <li>• Binary Input : 31Ch</li> <li>• Warning Sounds: 115dB</li> <li>• MP3 Messages : 113dB</li> </ul>	CE	1.35kg	<ul style="list-style-type: none"> <li>• R-Red</li> <li>• A-Amber</li> <li>• G-Green</li> <li>• B-Blue</li> </ul>
	AC110V-220V	Max. 0.310A				

※ DC type model has a free-voltage range of 10V-30V.  
 ※ AC type model has a free-voltage range of 100V-240V.

#### Technical Diagram (Units : mm)

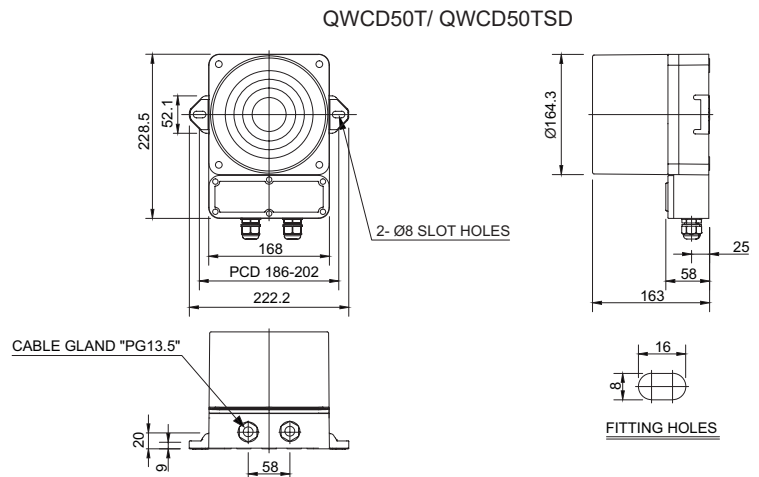


### QWCD50T Terminal Box Equipped LED Strobe Signal Light and Electric Sounder Combinations

Model number	Voltage	Current	Sound Pattern and Volume	Certificates	Weight	Color
QWCD50T Terminal box equipped type Built-in sound type	DC12V-24V	Max.5.450A	<ul style="list-style-type: none"> <li>• Bit Input : 5Ch (SD Card)</li> <li>• Binary Input : 31Ch</li> <li>• Warning Sounds: 123dB</li> <li>• MP3 Messages : 118dB</li> </ul>	CE	3.10kg	<ul style="list-style-type: none"> <li>• R-Red</li> <li>• A-Amber</li> <li>• G-Green</li> <li>• B-Blue</li> </ul>
	AC110V-220V	Max.0.900A				
QWCD50TSD Terminal box equipped type MP3	DC12V-24V	Max.3.800A	<ul style="list-style-type: none"> <li>• Bit Input : 5Ch (SD Card)</li> <li>• Binary Input : 31Ch</li> <li>• Warning Sounds: 123dB</li> <li>• MP3 Messages : 118dB</li> </ul>	CE	3.40kg	<ul style="list-style-type: none"> <li>• R-Red</li> <li>• A-Amber</li> <li>• G-Green</li> <li>• B-Blue</li> </ul>
	AC110V-220V	Max.0.720A				

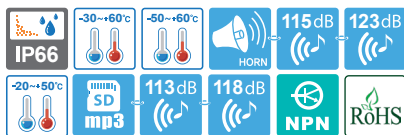
※ DC type model has a free-voltage range of 10V-30V.  
 ※ AC type model has a free-voltage range of 100V-240V.

#### Technical Diagram (Units : mm)



# QWCD series

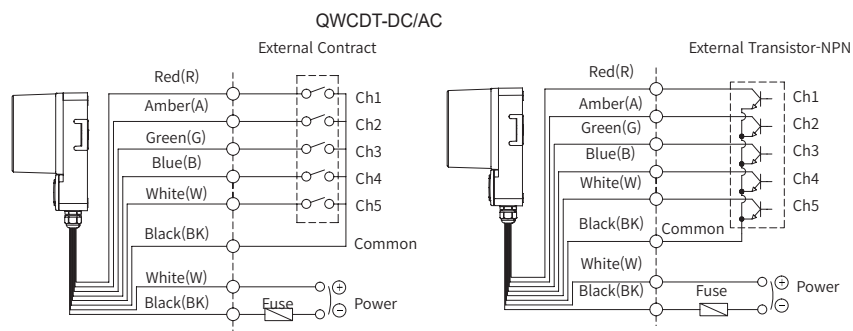
## LED Strobe Signal Light and Electric Horn Combinations



**QWCD50T series**

### Wiring Instructions

- Standard specification : Uses internal switches
- Customization : Uses external contact



- Wiring to external contact and transistor
- Wiring to transistor, use the NPN transistor
- Power line standard UL1015 AWG18(0.75sq)×2C 400mm
- Signal line standard UL1007 AWG22(0.3sq) 400mm
- DC type : Black output line is negative(-)
- Channel selection : Bit input, 5 sound tones for each group
- Binary input 31 sound tones output

\* Please refer to Page 144 for set of channel input(If wiring is changed by channel selection switch).

### Customization

- External sound selection line(Model number : -LC)

### Ordering Specification

QWCD50T	110/220	R	LC
[Model number]	[Voltage]	[Color]	[sound selection]
<ul style="list-style-type: none"> <li>• QWCD50T</li> <li>• QWCD50TSD</li> </ul>	<ul style="list-style-type: none"> <li>• 12/24</li> <li>• -DC12V-24V</li> <li>• 110/220</li> <li>• -AC110V-220V</li> </ul>	<ul style="list-style-type: none"> <li>• R-Red</li> <li>• A-Amber</li> <li>• G-Green</li> <li>• B-Blue</li> </ul>	<ul style="list-style-type: none"> <li>• (Blank)</li> <li>• -Standard type</li> <li>• LC Type</li> <li>• -Uses external contact</li> </ul>