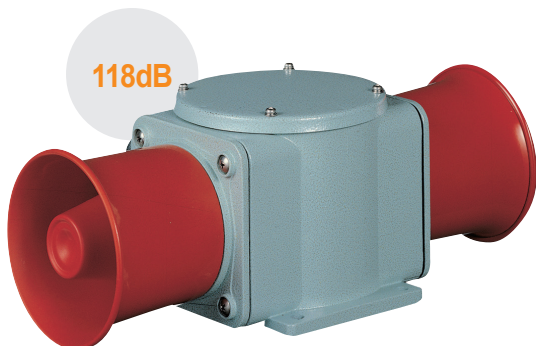


SHDN series



Aluminum housing



SHDN30

Dual-Facing Electric Horns for Vessels and Heavy Industry Applications

SHDN30 Max 118dB×2 Direct Mount Type

- Electric horn with tightly sealed structure and excellent durability, suitable for vessels, steel industry, and outdoor plant applications
- Aluminum housing provides excellent durability
- A variety of sound selection between warning sounds, alarm sounds, melodies and voice messages to fit your sophisticated application needs
- Terminals located inside the terminal box or product
- Cable entry : 1/2"PF
- Materials : Housing-AI, Horn housing-PC
- Can adjust sound volume with the switch built inside the unit
- Standard Housing color : MUNSELL No. 7.5BG 7/2
- Ambient operating temperature : -30°C to +50°C
- Protection rating : IP56, Suitable for outdoor installation

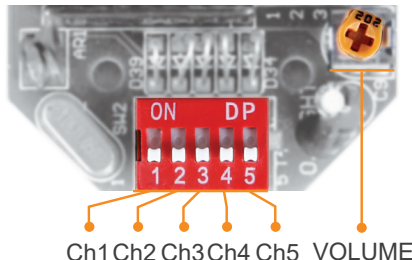
Model number	Sound pattern	Volume	Voltage / Current	Certificates	Weight
SHDN30	WS 5 Warning sounds	118dB×2	DC12V / 4.422A DC24V / 2.044A AC110V / 0.453A AC220V / 0.226A	-	DC-3.49kg AC-4.21kg
	WP 5 Special warning sounds	118dB×2			
	WM 5 Melodies	118dB×2			
	WA 5 Alarms	116dB×2			
	VV 5 Customizable sounds	113dB×2			

* Please refer to Page 104 for detailed information about selectable sound patterns.



Sound Selection Instructions

- Standard Type : Select sound using the switch inside of the unit. When you turn on the dip switch for each channel, the designated sound will be played.



Ch1 Ch2 Ch3 Ch4 Ch5 VOLUME

- Customized type : Select using the external contact(LC)
You can select the audible sound pattern using external contacts or transistor with a customized external sound line (Model number : -LC)
- Product can be wired regardless of polarity



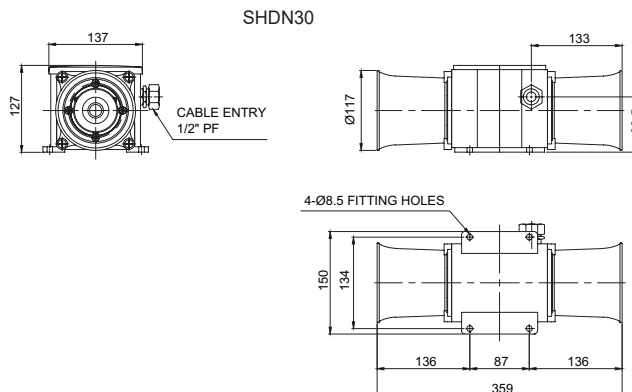
Customization

- Customized cable entry(3/4"PF) available
- Customized external sound line type available

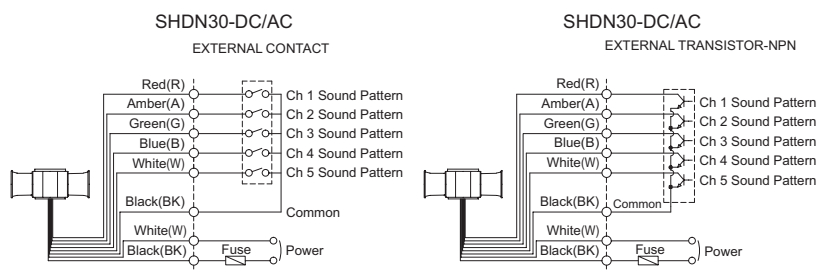


Technical Diagram

(Units : mm)



Wiring Instructions



Ordering Specification

SHDN30	WP	110	LC
[Model number]	[Sound]	[Voltage]	[Sound selection]
• SHDN30	• WS-Warning • WP-Special warning sounds • WM-Melody • WA-Alarm • WV-Customizable sound	• 12-DC12V • 24-DC24V • 110-AC110V • 220-AC220V	• Standard • -Built-in switch • LC • -External contact