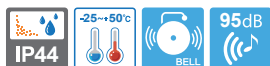


# SAB series

Alarm Bells with Lamp Attached for Vessels and Heavy Industrial Applications



**SAB130**  
-Bell housing Ø130mm

**SAB200**  
-Bell housing Ø200mm

95dB



SAB130

95dB



SAB200

## SAB130/ SAB200 Max 95dB

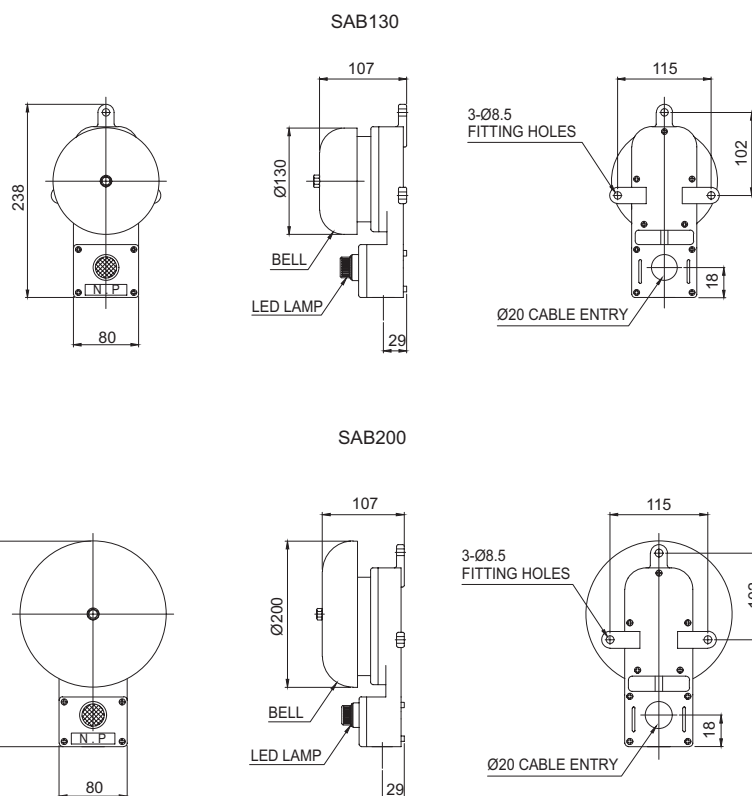
- Electric solenoid bell system provides excellent durability to vibration and shock for vessels and large facilities
- Special material for bell housing provides clear and crisp alarm sound
- Excellent vibration and shock resistant structure for superior durability
- Easy wiring and maintenance with terminal box attached
- Lamp attached provides visual signals
- Bell and lamp operation is synchronized. Each function can also operate separately
- Sound volume : Max 95dB at 1m
- Standard color : Housing-beige, Bell/ Lamp-Red
- Materials : Bell-Steel, Housing-ABS
- Ambient operating temperature : -25°C to +50°C
- Protection rating : IP44
- Cable entry : PG19

### Specifications

Model number	Frequency	Volume	Bell diameter	Voltage	Current	Certificates	Weight	Bell/ Lamp color
SAB130	400-600Hz	95dB	130mm	DC24V	1.100A	CE	1.88kg	• R-Red
SAB200			200mm	AC110V AC220V	0.350A 0.300A		2.00kg	

### Technical Diagram

(Units : mm)



### Customization

- Two way cable entries with PG19

### Ordering Specification

<b>SAB200</b>	-	<b>110</b>	-	<b>CG</b>
[Model number]		[Voltage]		[Cable gland]
<ul style="list-style-type: none"> <li>• SAB130</li> <li>• SAB200</li> </ul>		<ul style="list-style-type: none"> <li>• 24-DC24V</li> <li>• 110-AC110V</li> <li>• 220-AC220V</li> </ul>		<ul style="list-style-type: none"> <li>• Standard</li> <li>-Back wiring type</li> <li>• CG</li> <li>-Built-in cable gland type</li> </ul>