

SANA Series



SANA200

PRODUCT SPECIFICATION

SANA200 | SANA400 | SANA700

Materials Horn-PC, Solenoid valve box-ABS
Ambient operating temperature -20°C to +60°C
Protection rating IP56
Air pressure 5-7kg/cm²
Housing standard color
 R-Red, BK-Black, Cian-MUNSELL No.7.5BG 7/2
Volume Max.130dB at 1m

- High volume horn uses compressed air to power the high pitched sound made with the diaphragm
- Uses a special material which consumes a small quantity of compressed air and has long durability
- Suitable for applications like a large and noisy engine rooms, a phone alarm in a pump room, or as an emergency alarm

- SANA200: 200-300Hz
- SANA400: 400-600Hz
- SANA700: 700-800Hz

SANA Series Air Horns for Vessels and Heavy Industrial Applications, Max. 130dB

Model number	Frequency	Volume	Voltage	Current	Certificates	Weight	Color
SANA200	200-300Hz		DC24V	0.448A		1.19kg	● R-Red
SANA400	400-600Hz	Max.130dB	AC110V	0.111A	-	1.13kg	● BK-Black ● 7.5BG-Cian
SANA700	700-800Hz		AC220V	0.055A		1.07kg	

※ If you need a product for use in a vehicle or in a place subject to severe vibration or impact, please contact us.

Customization

- Horn and solenoid valve box available separately for individual installation
- Non return valve, Y filter installation and regulator



Non return valve



Y filter



Regulator

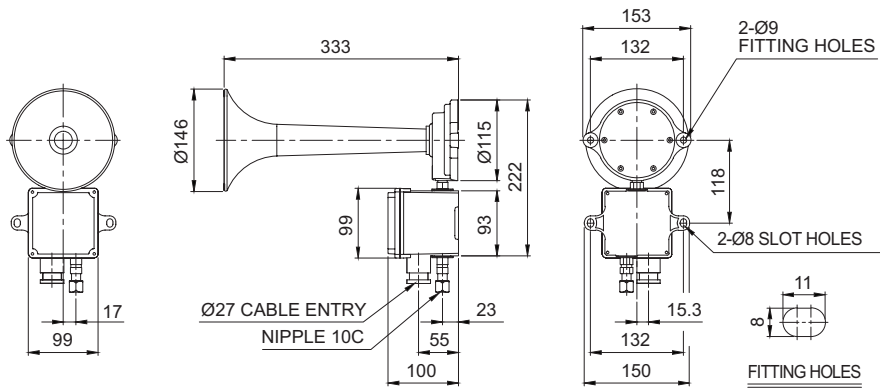
Ordering Specification

SANA200	-	220	-	R
[Model number]		[Voltage]		[Color]
SANA200		24-DC24V		● R-Red
SANA400		110-AC110V		● BK-Black
SANA700		220-AC220V		● 7.5BG-Cian

Technical Diagram

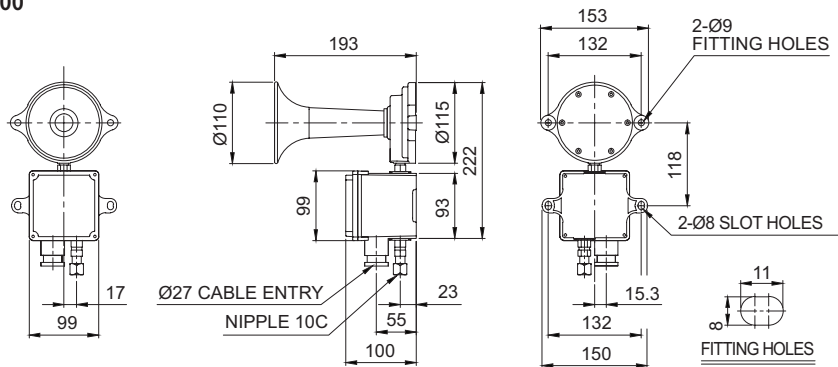
Units: mm

·SANA200



SANA400

·SANA400



SANA700

·SANA700

