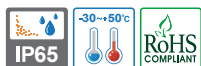


FLTS

LED Steady Type LED flash indicator



FLTS

FLTS LED Steady Type LED flash indicator

- Attractive appearance with compact size.
- Easy installation by adopting connector type power line.
- Excellent visibility of the front/side indicator by adopting special diffused lens.
- Materials: Lens-PC , Housing-ABS
- Ambient operating temperature : $-30^{\circ}\text{C} \leq \text{Tamb} \leq +50^{\circ}\text{C}$
- Protection Rating : IP65
- Certificates : CE, UL
- Compliant with RoHS directive



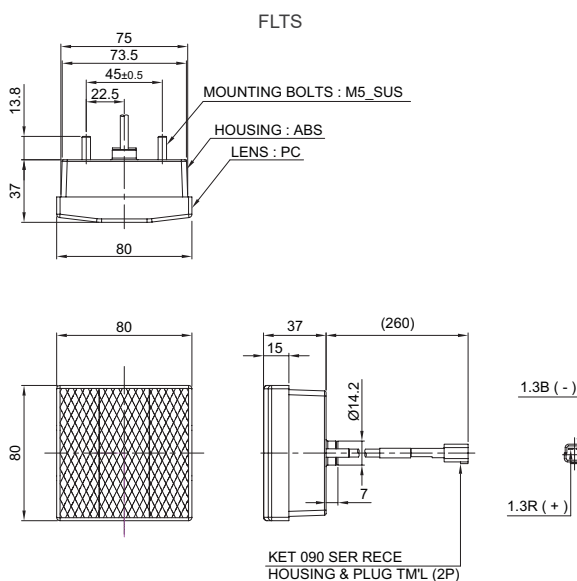
Common Specifications

Model number	Voltage	Current	Certificates	Weight	Color
FLTS	DC12V	0.10A		0.12kg	• A-Amber
	DC24V	0.05A			



Technical Diagram

(Units : mm)



Wiring Instructions

- External power line standard - UL2464 AWG20 (0.5sq) × 2C 250mm
- Product can be wired regardless of polarity.
- Connector - KET 090 SER RECE / HOUSING & PLUG TML (2P)



Ordering Specification

FLTS	-	12	-	A
[Model number]		[Voltage]		[Color]
• FLTS		• 12-DC12V • 24-DC24V		• A-Amber