

# SKTL Series



SKTL



SKTLB

## PRODUCT SPECIFICATION

SKTL | SKTLB  
SKTLM | SKTLBM

**Materials** Lens-PC, Housing-PC  
**Ambient operating temperature** -30°C to +50°C  
**Protection rating** IP66  
**Flashing rate** 60-80 flashes/min

- High brightness LED with special light filter structure provides clear signal light transmission even in outdoor environments with intense sunlight
- Excellent vibration and impact resistance with use of polycarbonate lens
- Lens with special coating material maintains transparency even when exposed to harsh environments where scratches, dust and direct sunlight is possible
- Water resistant, dustproof, and weather resistant structure provides excellent durability under harsh environments such as rainstorms, frost, and intense heat
- Different lights from side to side improve efficiency of emergency signal transmission effect (SKTLM/ SKTLBM)
- 4 strong magnets enable secure attachment to the desired place(SKTLM/ SKTLBM)
- Convenient emergency signal sound control with built-in ON/OFF switch(SKTLBM)
- Can select between standard and built-in buzzer type depending on installation environment

### SKTL Cube-Shaped LED Warning Light, Direct Mount

Model number	Voltage	Current	Certificates	Weight	Color
SKTL	DC12V	0.880A	CE	0.35kg	● R-Red ● A-Amber ● G-Green
	DC24V	0.385A		0.35kg	● B-Blue ○ W-White

- Light effect: Strobe
- ※ CE compliant: DC24V

### SKTLB Cube-Shaped LED Warning Light with Built-in Siren Buzzer, Direct Mount

Model number	Voltage	Current	Certificates	Weight	Volume	Color
SKTLB	DC12V	1.125A	CE	0.45kg	Max. 105dB	● R-Red ● A-Amber ● G-Green
	DC24V	0.560A		0.45kg		● B-Blue ○ W-White

- Light effect: Strobe
- ※ CE compliant: DC24V

### Customization

- Strobe left and right,  
Flashing left and right(SKTL/SKTLB)

### Wiring Instructions

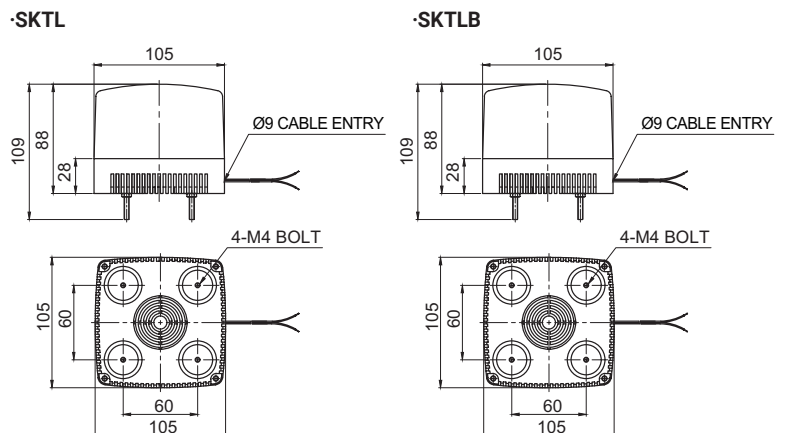
- External power line(SKTL)  
UL1015 AWG18(0.75sq) x 2C 400mm
- External power line(SKTLB)  
UL2464 AWG18(0.75sq) x 3C 400mm
- This product is black output line is negative(-).

### Ordering Specification

SKTL	-	24	-	R
[Model number]		[Voltage]		[Color]
SKTL		12-DC12V		● R-Red
SKTLB		24-DC24V		● A-Amber ● G-Green ● B-Blue ○ W-White

### Technical Diagram

Units: mm



# Cubic LED Warning Lights for Vehicles

## SKTL Series



SKTLM-Normal cigarette lighter plug,  
SKTLBM-Operation controlled by ON/OFF switch attached to the cigarette plug

### SKTLM Cube-Shaped LED Warning Light for Vehicles with Magnet

Model number	Voltage	Current	Certificates	Weight	Color
SKTLM	DC12V	0.235A	CE	0.45kg	<span style="color:red">●</span> R-Red <span style="color:blue">●</span> B-Blue
	DC24V	0.115A			

- 4 strong magnets enable secure attachment to curved vehicle surfaces
- Light effect : Flashing left and right
- ※ CE compliant: DC24V



SKTLM

### SKTLBM Cube-Shaped LED Warning Light with Built-in Siren Buzzer with magnet, Direct Mount

Model number	Voltage	Current	Certificates	Weight	Volume	Color
SKTLBM	DC12V	0.480A	CE	0.55kg	Max. 105dB	<span style="color:red">●</span> R-Red <span style="color:blue">●</span> B-Blue
	DC24V	0.290A				

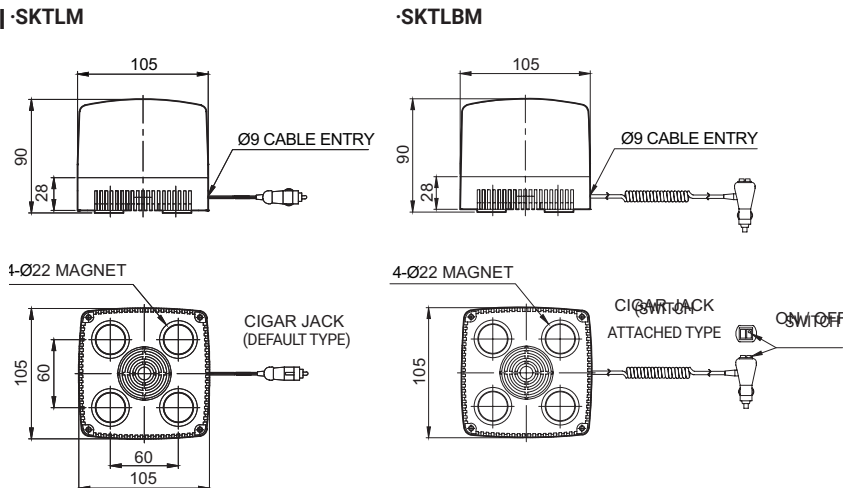
- Sound volume: Max. 105dB at 1m
- Easy control of warning sound with built-in ON/OFF switch
- Light effect : Flashing left and right
- ※ CE compliant: DC24V



SKTLBM

### Technical Diagram

Units: mm



The special rubber magnet adheres securely to the vehicle without damaging the surface of the vehicle!

### Wiring Instructions

- Cigarette lighter plug, IEC42(0.75sq) x 2P 2m

### Ordering Specification

SKTLM	-	24	-	R
[Model number]		[Voltage]		[Color]
SKTLM		12-DC12V		<span style="color:red">●</span> <span style="color:blue">●</span> R/B-Red/Blue
SKTLBM		24-DC24V		

### Customization

- Strobe, Strobe left and right (SKTLM/SKTLBM)