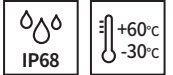


SSL Series



Provides excellent durability to extreme vibration and shock

PRODUCT SPECIFICATION

SSL

Materials Housing-Al, Lens-PC
Ambient operating temperature -30°C to +60°C
Protection rating IP68(IEC60529)

- Special anti-reflective lens applied to avoid mistaking the reflected sun light as a signal light (W type)
- M type has excellent visibility from a distance with clear and distinctive layer colors
- Superior durability in extreme vibration and shock thanks to a molded assembly process instead of conventional bolt fastened assembly method
- Customized color arrangement available(Lens color configuration is initiated from the side of cable entry)



SSL100W / SSL200W
SSL300W / SSL400W

SSL LED Steady Signal Lights for Container Spreaders

Model number	Voltage	Current	Certificates	Weight	Cable Entry	Color
SSL100	DC24V	0.151A	CE	1.80kg	M12-5PIN(male) C10-Cable	<ul style="list-style-type: none"> ● R-Red ● A-Amber ● G-Green ● B-Blue ○ W-White
	AC110V	0.040A		1.85kg		
	AC220V	0.040A		1.85kg		
SSL200	DC24V	0.302A		2.15kg		
	AC110V	0.080A		2.20kg		
	AC220V	0.080A		2.20kg		
SSL300	DC24V	0.453A		2.50kg		
	AC110V	0.120A		2.55kg		
	AC220V	0.120A		2.55kg		
SSL400	DC24V	0.604A		2.95kg		
	AC110V	0.160A		3.00kg		
	AC220V	0.160A		3.00kg		



SSL100M / SSL200M
SSL300M / SSL400M

※ CE compliant: DC24V

※ M12-5PIN connector: Female M12 connector is not provided.

SSL Series Vibration and Shock Test Conditions

Axial direction	Direction X	Direction Y	Direction Z
Vibration test conditions	10-38 Hz, 3.5mm 38-500 Hz, 20g 1 oct/min, 2 hours	10-38 Hz, 3.5mm 38-500 Hz, 20g 1 oct/min, 2 hours	10-38 Hz, 3.5mm 38-500 Hz, 20g 1 oct/min, 2 hours
Shock test conditions	50g 6 ms ±1000 shocks	50g 6 ms ±1000 shocks	50g 6 ms ±1000 shocks

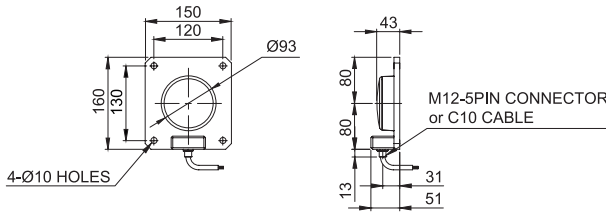
Ordering Specification

SSL100W	-	24	-	R
[Model number]		[Voltage]		[Color]
SSL100W / SSL100M		24-DC24V		● R-Red
SSL200W / SSL200M		110-AC110V		● A-Amber
SSL300W / SSL300M		220-AC220V		● G-Green
SSL400W / SSL400M				● B-Blue
				○ W-White

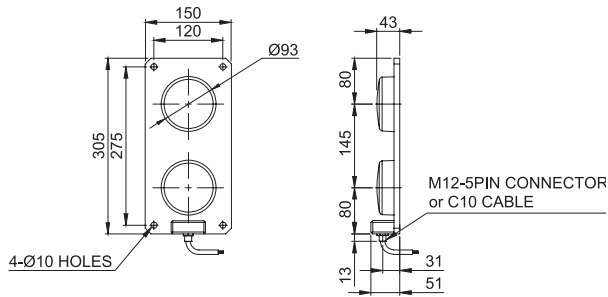
Technical Diagram

Units: mm

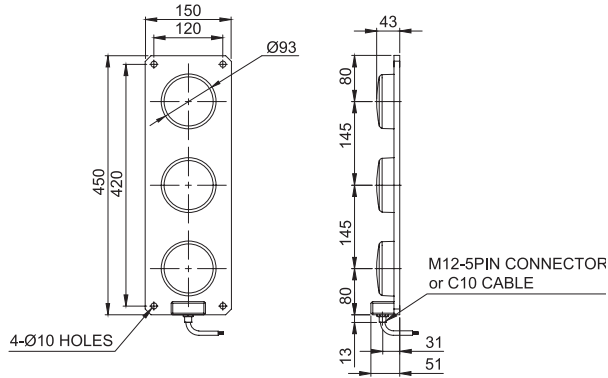
·SSL100W / SSL100M



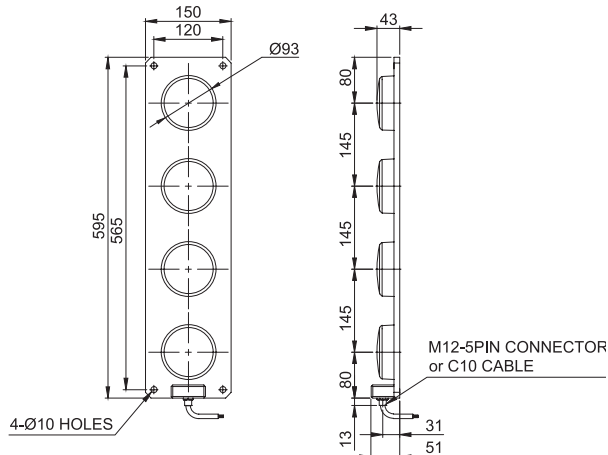
·SSL200W / SSL200M



·SSL300W / SSL300M

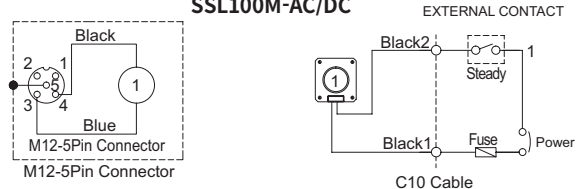


·SSL400W / SSL400M



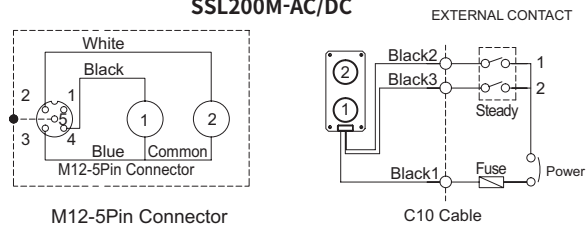
Wiring Instructions

SSL100W-AC/DC SSL100M-AC/DC



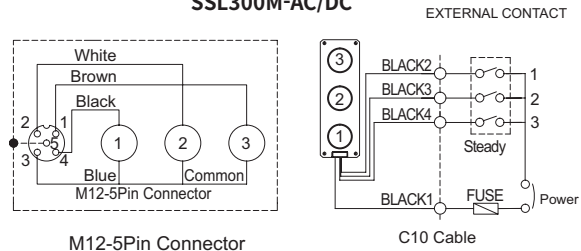
- M12-5PIN connector type
Pin no. 3 is common, however equipped built-in Bridge circuit, power line can be wired to Pin no.3 or 4 regardless of polarity
- C10 CABLE TREADING TYPE
Treading power line, signal line standard : 7G×0.5mm² 600V/80°C I WIRE 1,000mm treading

SSL200W-AC/DC SSL200M-AC/DC



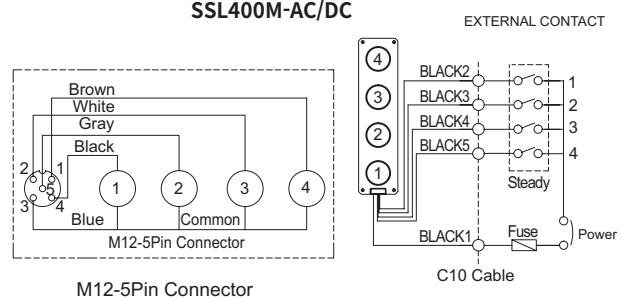
- M12-5PIN connector type
Pin no. 3 is common, however equipped built-in Bridge circuit, power line can be wired to Pin no.3 or 2, 4 regardless of polarity
- C10 CABLE TREADING TYPE
Treading power line, signal line standard : 7G×0.5mm² 600V/80°C I WIRE 1,000mm treading

SSL300W-AC/DC SSL300M-AC/DC



- M12-5PIN connector type
Pin no. 3 is common, however equipped built-in Bridge circuit, power line can be wired to Pin no.3 or 1, 2, 4 regardless of polarity
- C10 CABLE TREADING TYPE
Treading power line, signal line standard : 7G×0.5mm² 600V/80°C I WIRE 1,000mm treading

SSL400W-AC/DC SSL400M-AC/DC



- M12-5PIN connector type
Pin no. 3 is common, however equipped built-in Bridge circuit, power line can be wired to Pin no. 3 and pin no. 1, 2, 4, 5 regardless of polarity
- C10 CABLE TREADING TYPE
Treading power line, signal line standard : 7G×0.5mm² 600V/80°C I WIRE 1,000mm treading