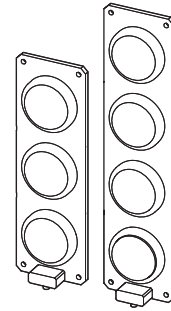


LED Signal Lights for Container Spreaders

SSL



Thank you for purchasing Qlight's products. Please read this user manual carefully prior to installation and operation to ensure safe and correct use.

⚠ Precautions for Safety

Failure to follow the instructions below may cause a loss of life or serious physical injury.

1. During wiring or maintenance, please completely turn off the power of the product. (Failure to follow this may lead to an electric shock.)
2. Do not install the product in locations that subjects it to excessive dust or water other than the conditions designated by the IP protection ratings indicated for each product. (Failure to follow these instructions may cause a fire to the product, electric shock, physical injury, malfunction or damage to the product.)
3. Do not alter or repair this product. If maintenance or repair service is required, please contact your local Qlight contact point. (Failure to follow these instructions may lead to fire, electric shock, or product damage.)
4. Please apply the correct voltage to the product. (Failure to follow these instructions may lead to fire, electric shock, or product damage.)
5. When the product is applied to a condition that may impact lives or property, please make sure to have a double safety device. (Failure to follow this may cause damage to property, fire, electric shock and loss of life.)

⚠ Precautions for Correct Use

Failure to follow the proper instructions may cause damage to property, the product, or malfunction of the product that would void the warranty.

1. Please remove any objects that can interrupt ventilation around the product.
2. Please turn off the power of the product immediately if it fails to operate properly.
3. Carefully wire the product according to each product's specification.
4. Please be careful in preventing chemicals such as thinner, benzene, etc. in contact with the surface of the product.
5. Do not apply excessive force/impact to the product.
6. Failure to follow any of the instructions above may cause malfunction or damage to the product, fire, and electric shock.

Ordering Specifications

SSL100W [Model number]	24 [Voltage]	R [Color]
<ul style="list-style-type: none"> • SSL100W • SSL100M • SSL200W • SSL200M • SSL300W • SSL300M • SSL400W • SSL400M 	<ul style="list-style-type: none"> • 24 - DC24V • 110 - AC110V • 220 - AC220V 	<ul style="list-style-type: none"> R-Red A-Amber G-Green B-Blue

Product Specifications

Model number	Voltage	Current	Certificate	Weight	Cable Entry	Color
SSL100	DC24V	0.151A	CE	1.80kg	Select one option between M12-5PIN (male) and C10-Cable	R-Red
	AC110V	0.040A		1.85kg		
	AC220V	0.040A		1.85kg		
SSL200	DC24V	0.302A		2.15kg		R-Red G-Green
	AC110V	0.080A		2.20kg		
	AC220V	0.080A		2.20kg		
SSL300	DC24V	0.453A		2.50kg		R-Red A-Amber G-Green
	AC110V	0.120A		2.55kg		
	AC220V	0.120A		2.55kg		
SSL400	DC24V	0.604A		2.95kg		R-Red A-Amber G-Green B-Blue
	AC110V	0.160A		3.00kg		
	AC220V	0.160A		3.00kg		

※ CE compliant : DC24V

- Protection rating : IP68
- Ambient operating temperature : -30°C to + 60°C



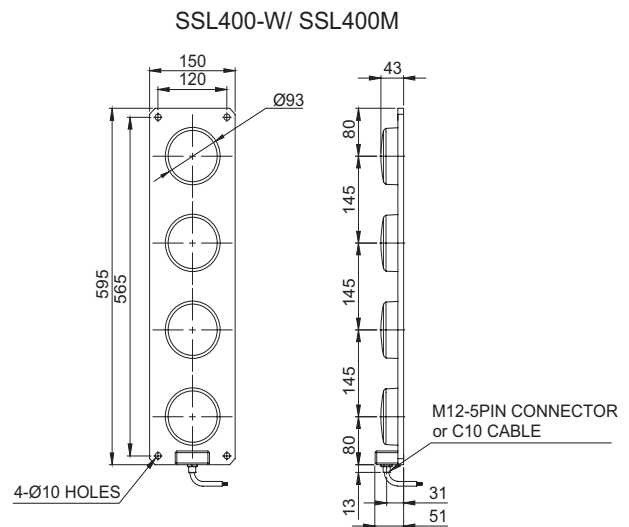
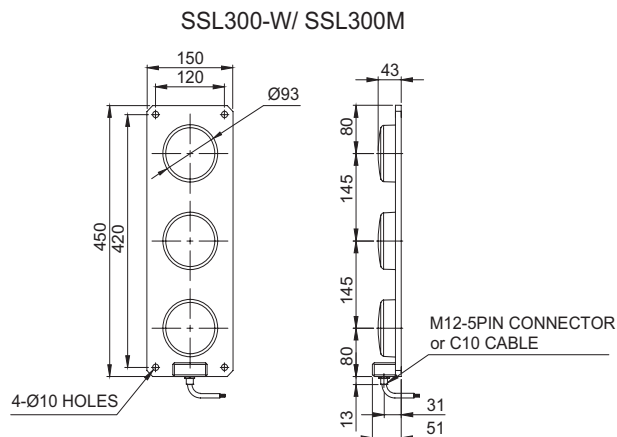
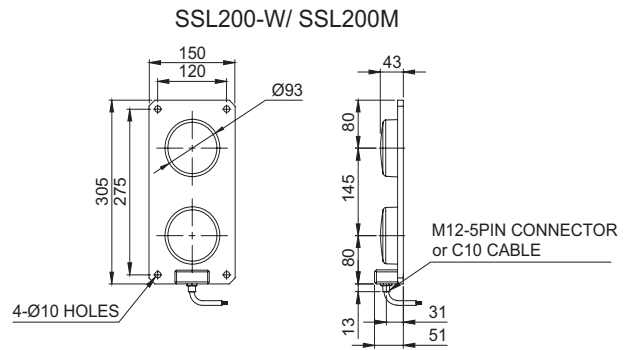
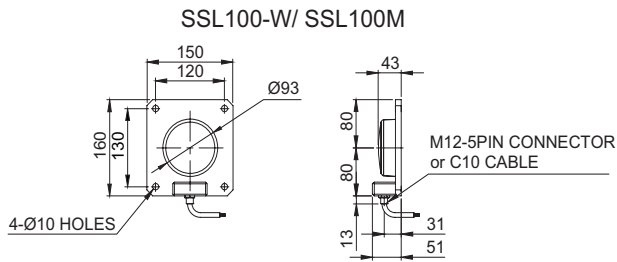
Please scan the QR code for more detailed product information.

www.qlight.com

Dimensions

(Units : mm)

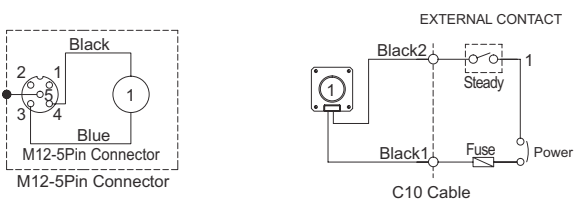
- Select one option between M12-5PIN connector and C10-Cable.



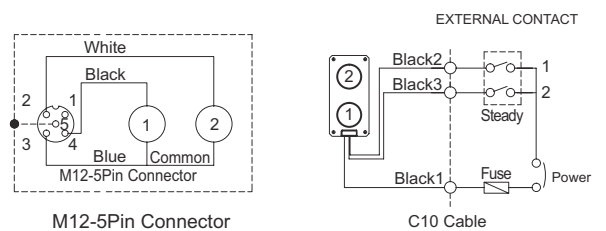
Wiring Instructions

- C10 CABLE TREADING TYPE
- External power/ signal line - 7G × 0.5mm² 600V/80°C WIRE 1,000mm

**SSL100W-AC/DC
SSL100M-AC/DC**



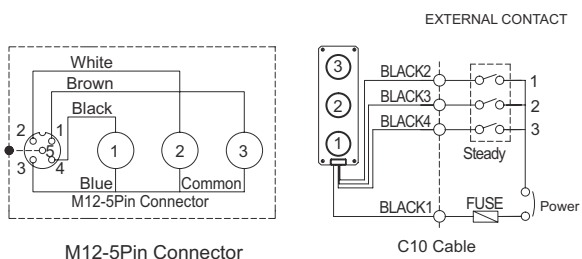
**SSL200-W-AC/DC
SSL200-M-AC/DC**



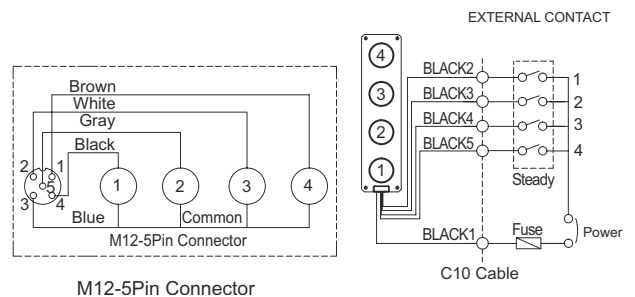
- M12-5PIN connector type
- Pin no. 3 is common, however equipped built-in Bridge circuit, power line can be wired to / Pin no.3 or 4 regardless of polarity

- M12-5PIN connector type
- Pin no. 3 is common, however equipped built-in Bridge circuit, power line can be wired to / Pin no.3 or 2, 4 regardless of polarity

**SSL300-W-AC/DC
SSL300-M-AC/DC**



**SSL400-W-AC/DC
SSL400-M-AC/DC**

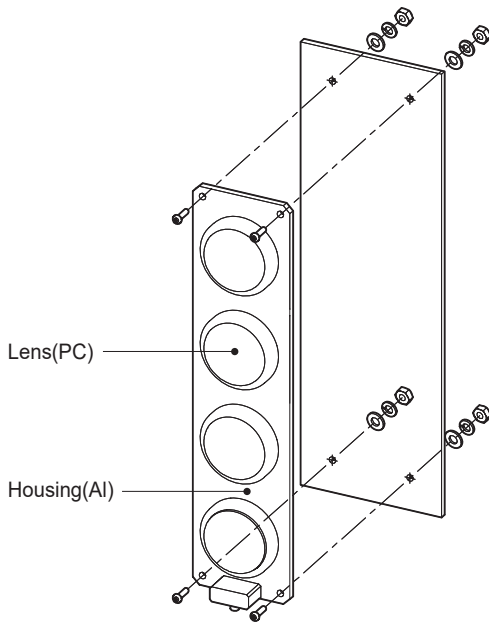


- M12-5PIN connector type
- Pin no. 3 is common, however equipped built-in Bridge circuit, power line can be wired to / Pin no.3 or 1, 2, 4 regardless of polarity

- M12-5PIN connector type
- Pin no. 3 is common, however equipped built-in Bridge circuit, power line can be wired to / Pin no.3 or 1, 2, 4, 5 regardless of polarity

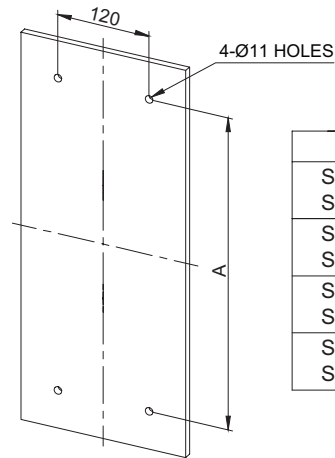
Parts Definition/ Installation/ Mounting Hole Specifications

■ Parts Definition/ Installation



■ Mounting Hole Specifications

- Machine holes on the mounting surface referring to the diagram below.



MODEL	A
SSL100W SSL100M	130
SSL200W SSL200M	275
SSL300W SSL300M	420
SSL400W SSL400M	565

- First, machine taps or holes on the mounting surface.
- The mounting hole of this product is 10mm in diameter.
- When machining taps, fasten the bolt through the mounting hole of the product.
- When machining holes, insert the bolt through the hole of the product, and tighten the nut from the opposite side of the mounting surface.

Installation Environment and Protection Rating

- This product is designed for use with protection rating of IP68.
- If the product is installed in locations that subject it to excessive dust or water other than the designated IP protection rating indicated, it may cause malfunction or damage to the product.
- For further information, please visit our website (www.qlight.com).



For your safety

Specification and dimensions listed in this catalogue subject to change without notice for product quality improvement.
The newest product information is available on our website.(www.qlight.com)
Please read the instruction manual attached to the product carefully before installation and use.

Qlight Co., Ltd. www.qlight.com | trade@qlight.com

Head Office | Suite #1510, STX-V Tower, 128 Gasan digital 1-ro, Geumcheon-gu, Seoul, Korea

Tel. +82-2-2679-6152(Toll free. +82-80-328-2222) Fax. +82-2-2679-6154

Factory | 185-25, Mukbang-ro, Sangdong-myeon, Gimhae-si, Gyeongsangnamdo, Korea Tel. +82-55-328-1111(Toll free. +82-80-328-1111)

Qlight OverSEAs Sales Dept | 704 Nakdong-daero, Sasang-gu, Busan, Korea(Eomgung-Dong) Tel : +82-51-620-4100

Qlight Public Relations & Marketing Team Office | 704 Nakdong-daero, Sasang-gu, Busan, Korea(Eomgung-Dong) Tel. +82-51-245-0017

Qlight USA, Inc. www.qlight.com www.qlightusa.com | sales@qlightusa.com

3003 North First Street, Suite #341, San Jose, CA 95134 USA Tel. +1-408-519-5740 Fax. +1-408-519-5739

SHANGHAI Qlight Electronic Co., Ltd. www.qlight.com www.qlightcn.com | qlightcn@qlight.com

China Factory/ Shanghai Sales Office | #19, Nanda Road, Baoshan Area, Shanghai, China Tel. +86-21-6651-7100 Fax. +86-21-6315-3929

China Factory Site 2 (Qidong) | #33, Haiyan Road, Qidong High-tech Industrial Development Zone, Qidong, Jiangsu Province, China

Tel +86-513-8384-9999 Fax +86-513-8384-9910

Qlightec

Innovation in Alarm & Signal

Product Operation Inquiry / Customer Support +82-51-620-4100

You can expect prompt service if you have exact information such as model name, symptom, telephone number and address.

※ ALL PRODUCT, PRODUCT SPECIFICATIONS AND DATA ARE SUBJECT TO CHANGE WITHOUT NOTICE TO IMPROVE RELIABILITY, FUNCTION OR DESIGN OR OTHERWISE.

Head office : Suite #1510, STX-V Tower, 128 Gasan digital 1-ro, Geumcheon-gu, Seoul, Korea (Postal Code : 08507)

Factory : 185-25, Mukbang-Ro, Sangdong-Myeon, Gimhae-Si, Gyeongsangnam-Do, Korea (Postal Code : 50805)

www.qlight.com

EN - SSL - 2303A