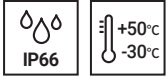


Low Intensity LED Aviation Obstruction Light

SAOL2



Applied on tall structures for collision avoidance measures and airport runway safety

PRODUCT SPECIFICATION

SAOL2 | SAOL2P

- ICAO standard** Low intensity A type
- Materials** Lens-PC, Housing-AI, Bracket-ST5316L, Pole-ST5
- Ambient operating temperature** -30°C to +50°C
- Protection rating** IP66
- Standard housing color** Red
- Cable entry** 1/2" PF, Ø20
- Light source** High intensity light emitting diodes(LED)
- Light color** Red
- Luminous intensity** 19cd ±25%
- Light function** Steady



SAOL2

- Low intensity A type aviation obstruction lights are installed onto fixed objects that are less than 150m from the land or water surface
- Can choose between Self stand type and pole mounting type depending on environment
- Terminals located inside the housing for wiring



SAOL2P

Wire is not exposed outside in the pole mount model.

Customization

- Built-in darkness detecting sensor available
- Amber housing, mounting bracket is available upon request

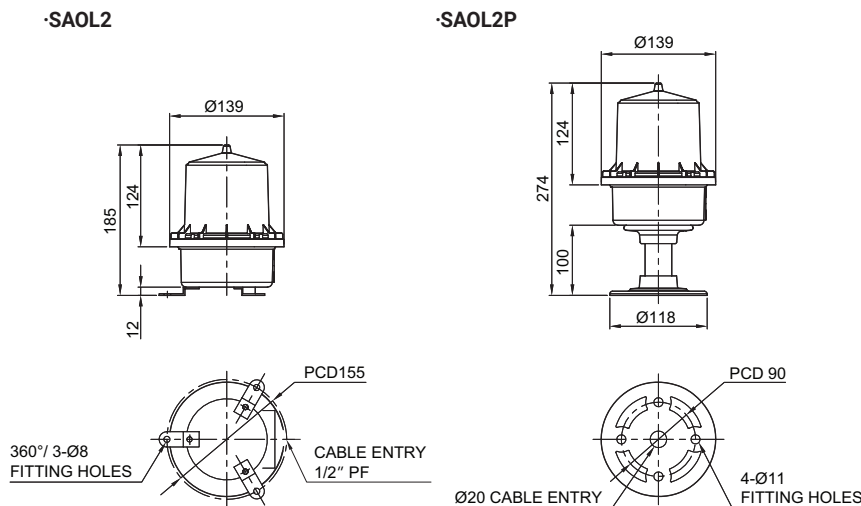
SAOL2 / SAOL2P Low Intensity LED Aviation Obstruction Light

Model number	Voltage	Power consumption	Certificate	Weight	Light color
SAOL2	DC12V DC24V	9W		1.02Kg	● Red
SAOL2P	AC110V-220V		CE	1.58Kg	

※ ICAO, CE compliant: DC24V, AC110V-220V

Technical Diagram

Units: mm



Ordering Specification

SAOL2	-	24	-	R
[Model number]		[Voltage]		[Color]
SAOL2 SAOL2P		12-DC12V 24-DC24V 110/220-AC110V-220V		● R-Red