

QWCD-TI Series

A new concept of using the horn cover as a light globe

PRODUCT SPECIFICATION

QWCD35-TI | QWCD50-TI

Materials Horn-PC, Housing-PC+ABS

Ambient operating temperature

-30°C to +60°C (Standard type)

-50°C to +60°C (Low temperature type only DC)

Protection rating IP66

Flashing rate 60-80 flashes/min

Compliant with RoHS directive

- Telephone Initiated Signal beacon triggers built-in alarm sound that is activated by 25Hz Telephone Ring Signal
- Highly noticeable Telephone alarm in noisy environment
- Telephone line(2 LINE) is connected to PSTN telephone line
- Easy device customization with built in sound selection function, volume adjustment function and an SD Card slot for user inputted tones
- 31 available tones that can be selected for a variety of environments
- 31 pre-recorded tones available via binary input
- Suitable for use in environments that require a tight seal and superior dust protection rated IP66
- Easy wiring though external terminal box
- Rated power when telephone lines are not in use: 45VDC - 55VDC
- Rated power when telephone rings : 95VDC - 130VDC

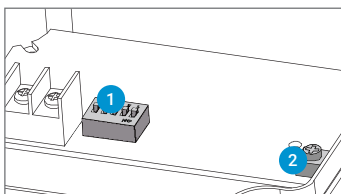


QWCD-TI Series

Qlight's exclusive inno- vative design - the horn cover emits light!

- By using the horn cover as a light globe, the size of the product has been reduced significantly
- The color of light can be selected from red, yellow, green, or blue
- Product has two models: the basic model with 31 built-in sounds, and an external sound (MP3) type model
- Includes seven different playback functions; one function is the continuous playback function which provides constant message notification
- Can play special alarm sounds depending on environment, and supports Binary Input Method
- Can paly up to 31 sounds by saving MP3 files on SDcard
- By making the horn cover with polycarbonate (PC) material, The product has excellent durability and weather resistance
- Can be used for heavy-duty, ship, or outdoor use which requires waterproof, dustproof structure(IP66).

Built-in sound type



- 1 Sound channel selection switch
- 2 Volume dial

The input method of built-in sound type

	1	2	3	4	5
ON	<input type="checkbox"/>	<input type="checkbox"/>	<input type="checkbox"/>	<input type="checkbox"/>	<input type="checkbox"/>
OFF	<input type="checkbox"/>	<input type="checkbox"/>	<input type="checkbox"/>	<input type="checkbox"/>	<input type="checkbox"/>
No.	1	2	3	4	5
0	0	0	0	0	0
1	0	0	0	0	1
2	0	0	0	1	0
:	:	:	:	:	:
31	1	1	1	1	1

Built-in sound type model supports Binary input mode which provides a selection of 31 different input combinations for five kinds of sounds.

You can only select 2 numbers with 1 switch; "0", "1". With 5 switches you can have 31 combinations. Selecting one sound from 5 switches is the Binary input method.

QWCD-TI Series

Easy wiring with 2 cable entries terminal box type



QWCD35-TI Series



QWCD50-TI Series

QWCD35-TI LED Strobe Warning Lights & Electric Horn

Model number	Voltage	Current	Sound Pattern and volume	Certificates	Weight	Color
QWCD35-TI Terminal box equipped type	DC12V-24V	Max. 1.340A	·Binary Input: 31Ch ·Warning sounds : Max.115dB	-	1.30kg	● R-Red ● A-Amber ● G-Green ● B-Blue
Built-in sound type	AC110V-220V	Max. 0.370A	(Based on WS-Ch31)	-	1.35kg	

※ DC type model has a free-voltage range of 10V-30V.

※ AC type model has a free-voltage range of 100V-240V.

QWCD50-TI LED Strobe Warning Lights & Electric Horn

Model number	Voltage	Current	Sound Pattern and volume	Certificates	Weight	Color
QWCD50-TI Terminal box equipped type	DC12V-24V	Max. 4.470A	·Binary Input: 31Ch ·Warning sounds : Max.123dB	-	3.10kg	● R-Red ● A-Amber ● G-Green ● B-Blue
Built-in sound type	AC110V-220V	Max. 0.820A	(Based on WS-Ch16)	-	3.40kg	

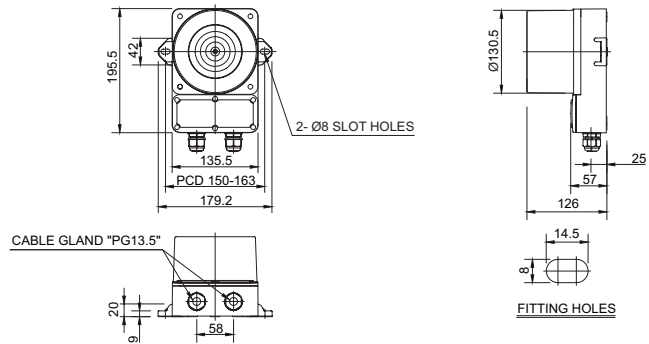
※ DC type model has a free-voltage range of 10V-30V.

※ AC type model has a free-voltage range of 100V-240V.

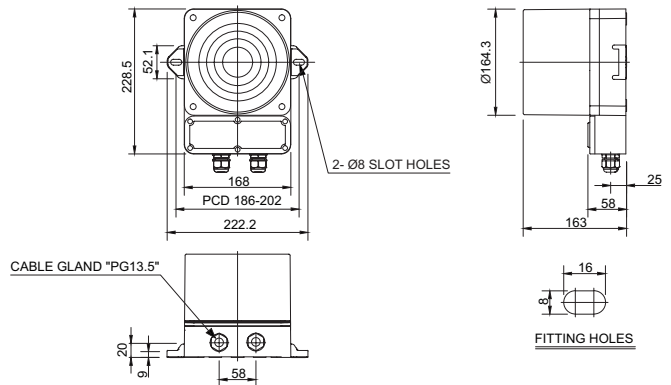
Technical Diagram

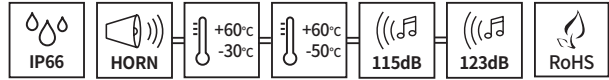
Units: mm

·QWCD35-TI



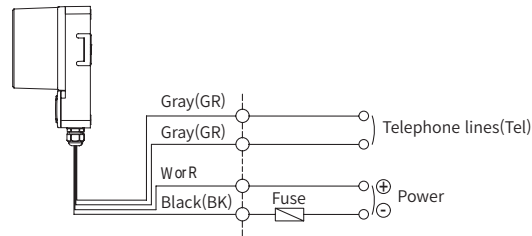
·QWCD50-TI





Sound Selection Instructions and Wiring

·QWCD35-TI / QWCD50-TI - DC/AC



- Please wire the unit in accordance with a wiring diagram below as power line and telephone line are wired externally.
- External power line - UL1015 AWG18(0.75sq) x 2C 400mm
- External telephone lines - UL1007 AWG22(0.3sq) 400mm
- Binary input 31 sound tones output
- ※ Please refer to [Sound pattern and combination for multifunctional product] on this catalogue for channel input setting
(Wiring instruction is replaced to channel selection switch)

Ordering Specification

QWCD35	-	110/220	-	R	-	TI
[Model number]		[Voltage]		[Color]		[Telephone Initiated]
QWCD35 QWCD50		12/24-DC12V-24V 110/220-AC110V-220V		● R-Red ● A-Amber ● G-Green ● B-Blue		TI-Telephone Initiated