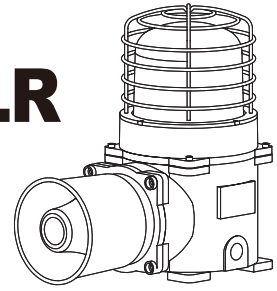
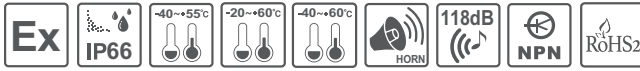


Explosion Proof Warning Light/ Signal Light and Electric Horn Combinations

SESA/ SESAS/ SESAL/ SESALR



Thank you for purchasing Qlight's products. Please read this user manual carefully prior to installation and operation to ensure safe and correct use.

⚠ Safety Precautions for Explosion Proof Products

Please follow the instruction below to ensure safe and correct use of explosion proof products.

1. Explosion proof products should be managed according to explosion proof regulations. Do not disassemble, assemble, alter or repair the product arbitrarily.
2. The temperature rating of the product is the temperature the product will experience at the applied rated voltage and ambient temperature indicated.
3. Use cable glands that satisfy the product's explosion proof grade and temperature grade.
4. Unused cable entries must be filled with material that meets the explosion proof grade and temperature rating.
5. Before installing the product, please make sure all cautions indicated on the labels, packaging, and operation manual of the product are fully understood.
6. Installation, maintenance and repair of the product must be performed by experts in the explosion proof field, or persons who have received relevant training.
7. For safety, the product should be installed and operated in environments that avoid high temperature and high pressure.
8. Please follow general safety precautions and avoid installing the product in locations that may generate excessive heat.
9. When installing the product in places where chemicals are located, please make sure that the environment does not have two or more incompatible chemicals mixed. For safety, please read the instruction manual carefully and be mindful of the chemical compositions where the product is used.
10. This product requires grounding.
11. Please note that special conditions shall be applied if the sign "X" is placed after the certificate number.
 - 1) For safe use, regular overpressure test must be carried out in accordance with EN 60079-1, clause 15.2.3.
 - 2) For safe use, tempered glass must be protected from strong impact
12. When using NPT cable glands (plugs), it is recommended to use them after applying non-hardening grease to maintain protective performance.

⚠ Caution for Safety

Failure to follow the instructions below may cause a loss of life or serious physical injury.

1. During wiring or maintenance, please completely turn off the Power of the product. (Failure to follow this may lead to an electric shock.)
2. Do not install the product in locations that subjects it to excessive dust or water other than the conditions designated by the IP protection ratings indicated for each product. (Failure to follow these instructions may cause a fire to the product, electric shock, physical injury, malfunction or damage to the product.)
3. Do not alter or repair this product. If maintenance or repair service is required, please contact your local Qlight contact point. (Failure to follow these instructions may lead to fire, electric shock, or product damage.)
4. Please apply the correct voltage to the product. (Failure to follow these instructions may lead to fire, electric shock, or product damage.)
5. When the product is applied to a condition that may impact lives or property, please make sure to have a double safety device. (Failure to follow this may cause damage to property, fire, electric shock and loss of life.)

⚠ Precautions for Correct Use

Failure to follow the proper instructions may cause damage to property, the product, or malfunction of the product that would void the warranty.

1. Please remove any objects that can interrupt ventilation around the product.
2. Please turn off the Power of the product immediately if it fails to operate properly.
3. Carefully wire the product according to each product's specification.
4. Please be careful in preventing chemicals such as thinner, benzene, etc. in contact with the surface of the product.
5. Do not apply excessive force/impact to the product.
6. Failure to follow any of the instructions above may cause malfunction or damage to the product, fire, and electric shock.



Please scan the QR code for more detailed product information.

www.qlight.com

Ordering Specifications

SESAS	-	WS	-	230	-	R
[Model number]		[Sound]		[Voltage]		[Color]
<ul style="list-style-type: none"> • SESA • SESAS • SESAL • SESALR 		<ul style="list-style-type: none"> • WS-Warning sounds • WP-Special warning sounds • WM-Melodies • WA-Alarms • WV-Customizable sounds 		<ul style="list-style-type: none"> • 24-DC24V • 120-AC110V • 230-AC220V 		<ul style="list-style-type: none"> R-Red A-Amber G-Green B-Blue

Product Specifications

Explosion Proof Specifications

Model number	SESA SESAL SESALR SESAS	Zone definitions(Gas)	Zone 1 Zone 2	High risk gas/vapour Medium risk gas/vapour
Range of operating voltage	DC 24V AC120V or 230V	Group definitions(Gas)	GROUP II A GROUP II B GROUP II C	Acetone, Petrol, Methanol, Propane, Toluene Ethylene, City gas Hydrogen, Acetylene, Carbon sulphide
Ex mark	IECEX - Ex db IIC T6 Gb, IP66 ATEX - II 2G Ex db IIC T6 Gb, IP66 NEPSI, CCC - Ex db IIC T6 Gb, Ex tb IIIC 80°C Db KCs - Ex d IIB+H2 IP66 T6(SESA) Ex d IIC T6 IP66, Ex tD A21 T85°C IP66(SESAKC) TS - Ex db IIC T6 IP66 Gb(SESAL)	Maximum surface temperature of electrical equipment	T1 T2 T3 T4 T5 T6	450°C 300°C 200°C 135°C 100°C 85°C
Ambient operating temperature	-20°C ≤ Tamb ≤ +60°C(TS) -40°C ≤ Tamb ≤ +55°C(KCs) -40°C ≤ Tamb ≤ +60°C	Zone definitions(Dust)	Zone 21 Zone 22	High risk powder/dust Medium risk powder/dust
Explosion proof Zone	Zone1, Zone2, Zone21, Zone22	Group definitions(Dust)	GROUP II A GROUP II B GROUP II C	Ignitable fibers/flyings(mzore than 0.5mm) Non-conductive dusts Conductive dusts
Protection rating	IP66			

General Product Specification

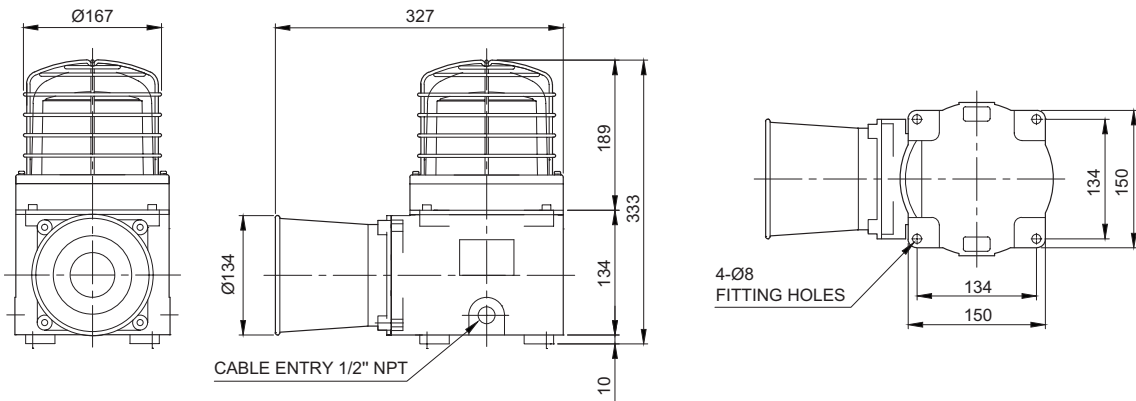
Model number	Voltage	Current	Bulb specifications			Sound pattern and volume	Certificate	Weight	Color	
			Volts/Watts	Configuration	Part#					
SESA	DC24V	1.788A	24V15W	G23 15S	18	<ul style="list-style-type: none"> • WS-5 Warning sounds : Max.118dB • WP-5 Special warning sounds: Max.118dB • WM-5 Melodies: Max.118dB • WA-5 Alarms: Max.116dB • WV-5 Customizable voices : 110-115dB 		8.57kg	R-Red A-Amber G-Green B-Blue	
	AC120V	0.422A	12V15W	G23 15S	17					9.27kg
	AC230V	0.211A	12V15W	G23 15S	17					9.27kg
SESAS	DC24V	1.411A	200V -550V	EUB0641 -1A(G) U type	48	<ul style="list-style-type: none"> • WS-5 Warning sounds : Max.118dB • WP-5 Special warning sounds: Max.118dB • WM-5 Melodies: Max.118dB • WA-5 Alarms: Max.116dB • WV-5 Customizable voices : 110-115dB 		8.45kg	R-Red A-Amber G-Green B-Blue	
	AC120V	0.360A								8.86kg
	AC230V	0.220A								8.86kg

Model number	Voltage	Current	Sound pattern and volume	Certificate	Weight	Color	
SESAL	DC24V	1.222A	<ul style="list-style-type: none"> • WS-5 Warning sounds : Max.118dB • WP-5 Special warning sounds: Max.118dB • WM-5 Melodies: Max.118dB • WA-5 Alarms: Max.116dB • WV-5 Customizable voices : 110-115dB 		8.42kg	R-Red A-Amber G-Green B-Blue	
	AC120V	0.286A					9.02kg
	AC230V	0.143 A					9.02kg
SESALR	DC24V	1.288A	<ul style="list-style-type: none"> • WS-5 Warning sounds : Max.118dB • WP-5 Special warning sounds: Max.118dB • WM-5 Melodies: Max.118dB • WA-5 Alarms: Max.116dB • WV-5 Customizable voices : 110-115dB 		8.31kg	R-Red A-Amber G-Green B-Blue	
	AC120V	0.308A					7.92kg
	AC230V	0.154A					7.92kg

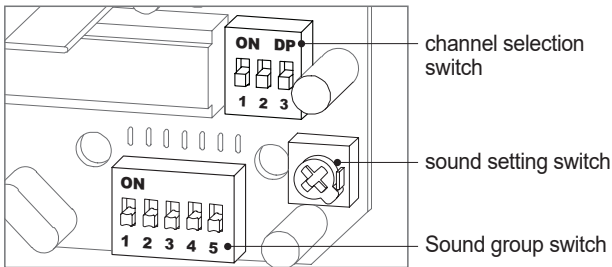
* Voltage AC120V: AC110V-120V, AC230V: AC220V-230V

* CCC(F) compliant: DC24V(SESAL)

SESA/ SESAL/ SESALR/ SESAS



Sound Setting - Select using the switch inside of the unit.



- Standard unit has 5 built-in sound tones.
Select different built-in sounds using the sound setting switch.
- For standard type, once the unit is powered on, light and sound are working simultaneously.
- For tone group settings, refer to the website [Customer Support] - [Technical Data] - [Types of Tone and Combination of General Tone products].

■ Sound Type by Group

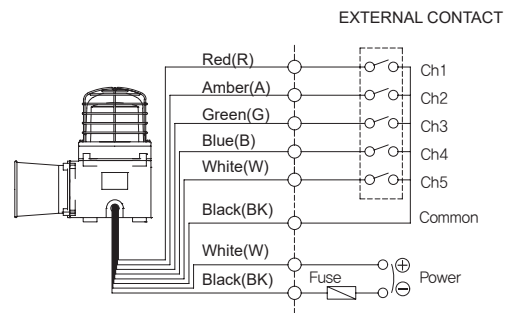
Category	Sound pattern	Channel	Sound Tone	Volume (Max.)
WS	5 Warning sounds	Ch1	Fire.A-ANG	Max. 118dB
		Ch2	Emergency WA-U	
		Ch3	Ambulance PI-PO	
		Ch4	Machinery Fault	
		Ch5	High Expansion	
WP	5 Special warning sounds	Ch1	Fire.A-ANG	Max. 118dB
		Ch2	Abandon Alarm	
		Ch3	Machinery Fault	
		Ch4	High Expansion	
		Ch5	7 Short Pl. / 1 Long	
WM	5 Melodies	Ch1	Sweet Home	Max. 118dB
		Ch2	For Elise	
		Ch3	Cuckoo's Waltz	
		Ch4	Piano Sonata	
		Ch5	Turkish March	
WA	5 Alarms	Ch1	Beep Intermittent	Max. 116dB
		Ch2	Door Chime	
		Ch3	Phone Ring	
		Ch4	PI.PI.PI Short	
		Ch5	Tripping Beat	
WV	5 Customizable sounds	Ch1- Ch5	Available upon request(customized voice type)	110- 115dB

※ In case of customized WV 5 tone type, there may be difference of volume depending on user's audio file type.

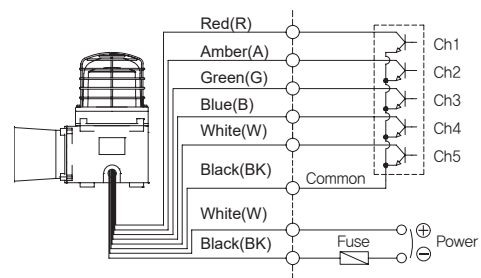
Sound Setting - Select using External contact(LC).

- LC type product with exposed sound selection signal line is available upon request. Please refer to the diagram below for wiring.

SESA/ SESAL/ SESALR/ SESAS

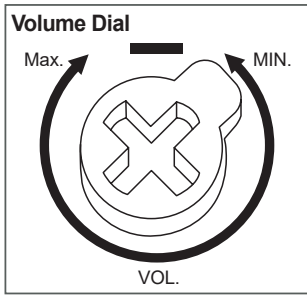


EXTERNAL TRANSISTOR-NPN



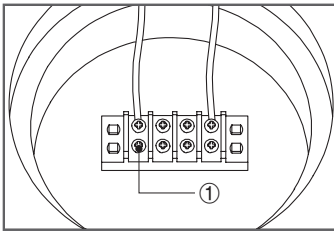
- External Power line - UL1015 AWG18(0.75sq) x 2C 400mm
- External signal line - UL1007 AWG22(0.3sq) 400mm

Volume Adjustment



- The volume output of this product is adjustable.
- Turn the volume dial clockwise to increase the volume, and turn counter clockwise to decrease the volume.
- There will be no sound when the dial is put at MIN.

Terminal Box Wiring Instructions

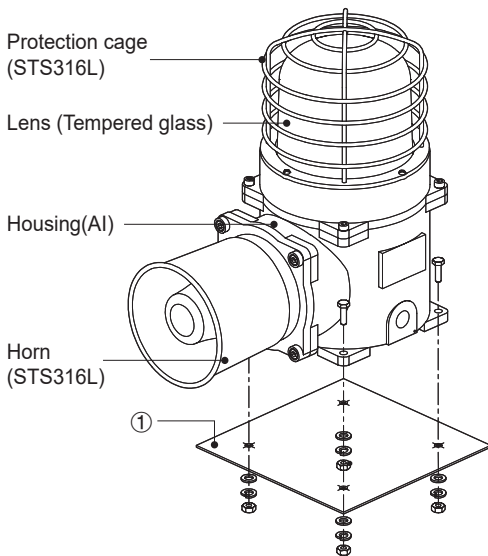


- Terminal block is located inside of the product. Unscrew the 4 bolts located in the upper body to get rid of the upper lighting element of the unit.
- Please apply fork (U-type) or ring (O-type) locking spade terminal at naked tip of the wire for secure connection.
- Please wire the Power line to terminal ①.
- For AC type products, wire regardless of polarity.
- For DC type products, wire terminal of black line to (-) polarity.
- For standard type, once the unit is Powered on, light and sound are working simultaneously.

※ Applicable cable range : AWG16-AWG22

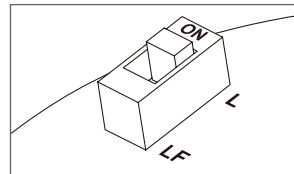
Parts Definition/ Installation/ Light Function Selection

■ Parts Definition

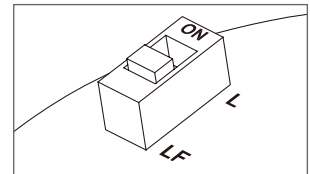


■ Light Function Selection (SESAL only)

- Please refer to the chart below to use light function selection switch located inside the product.



▶ L : Steady



▶ LF : Flashing

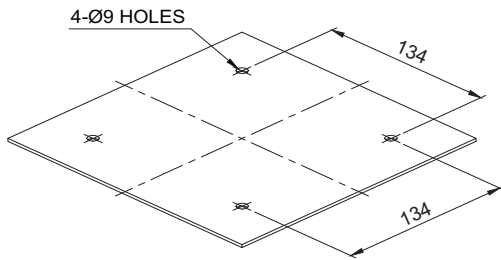
- Default function is set at steady LED. Select the desired function for your application during installation.

■ Installation

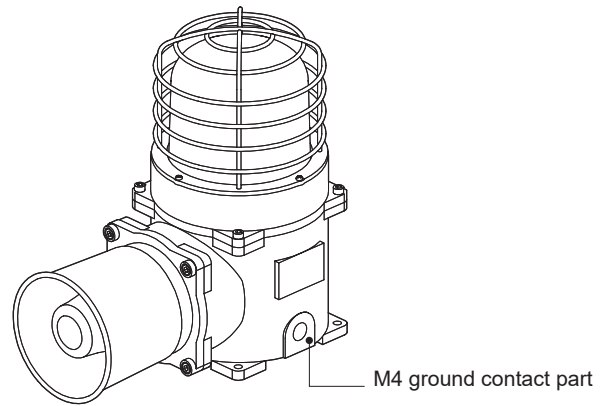
- First, machine holes on the mounting surface ①.
- The mounting hole of this product is 8mm in diameter.
- When machining taps, fasten the bolt through the mounting hole of the bracket.
- When machining holes, insert the bolt through the hole of the product, and tighten the nut from the opposite side of the mounting surface.

Mounting Hole Specifications

- Machine holes on the mounting surface referring to the diagram below.



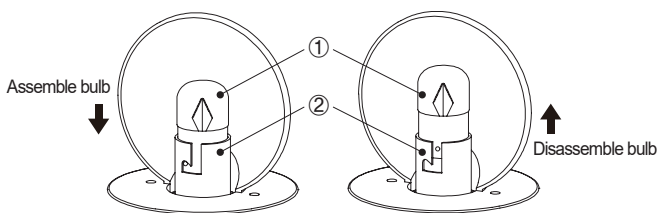
Grounding Instructions



- Please use an M4 bolt at the location marked in the diagram above to ground the product.
- When connecting the grounding cable, please use a ring terminal.
- Please use a grounding cable with a diameter greater than 4mm.

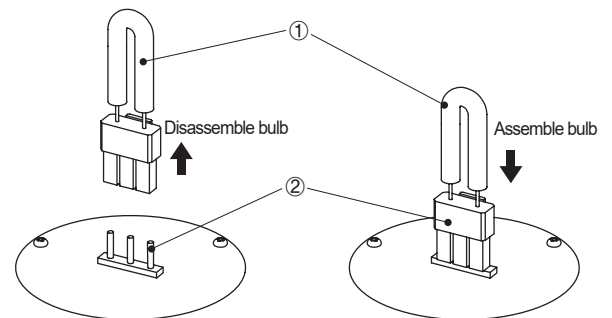
Bulb/ Xenon Bulb Replacement Instructions

■ Bulb Replacement Instructions(SESAs only)



- Please wait at least 1 minute after turning off the Power before replacing the bulb.
- In order to disassemble the bulb, please push down the bulb(①) lightly and screw it counterclockwise.
- In order to put the bulb in to the unit, please place the bulb(①) in the socket(②) and screw it clockwise while lightly pushing down the bulb.

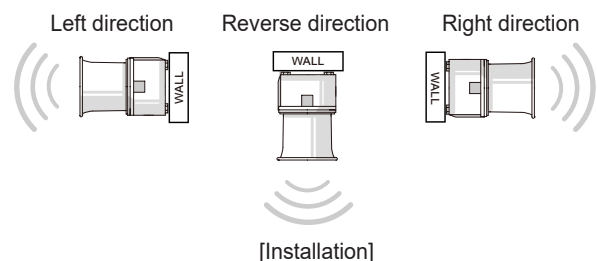
■ Xenon Bulb Replacement Instructions(SESAS only)



- Please wait at least 30 minutes after turning off the Power before replacing the xenon bulb.
- Please pull out the entire xenon bulb structure ① to disassemble while pushing the hook down.
- For xenon bulb assembly, please push down the connector portion of the xenon bulb structure to the connector pin location ② until it makes "clark" sound.

Precautions for installation

- In case of outdoor applications, install the product in the upright position. Do not install the product horizontal or upside-down positions where water can potentially penetrate into the product and impact its operation.



Installation Environment and Protection Rating

- This product is designed to be explosion proof.
- Please make sure to use the product in an environment that meets the specified explosion proof rating and regulations.
- For further information, please visit our website (www.qlight.com).

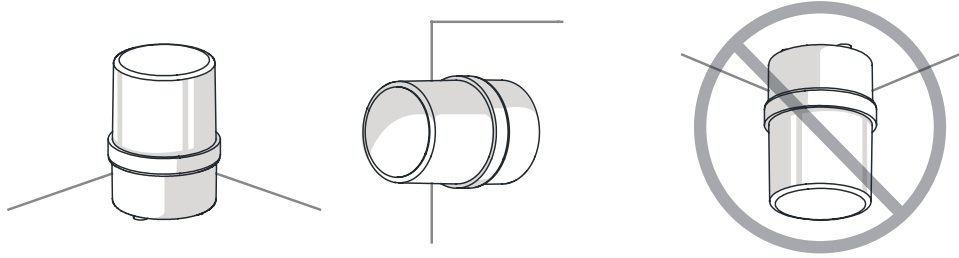
Product installation direction

- Install the product in accordance with the manual. Otherwise rainwater or moisture may penetrate into the product.

· BEACON/SIGNALING LIGHT

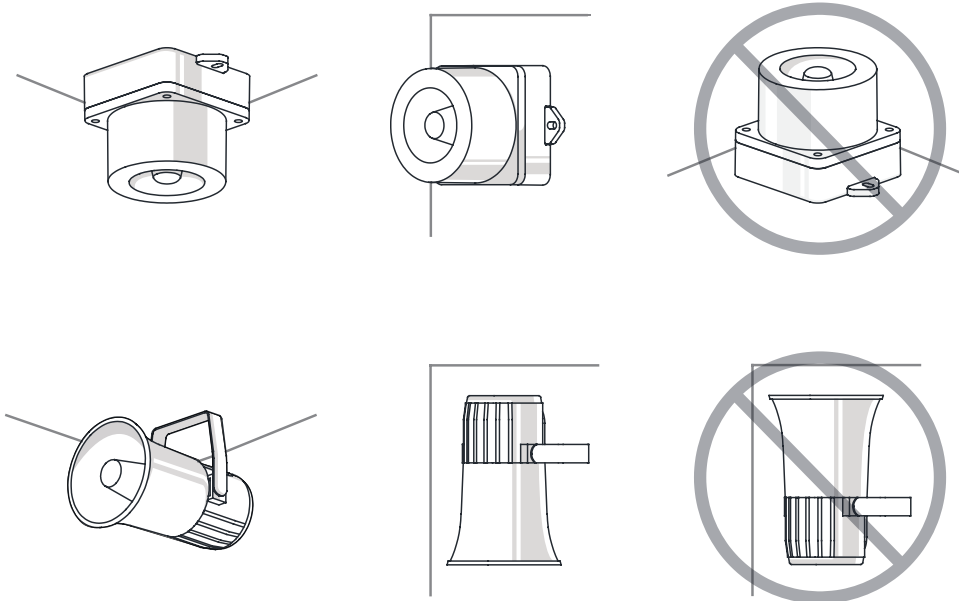
※ For products with a protection rating of less than IPX4, please install it vertically.

Power cord inlet part shall not be facing the sky.



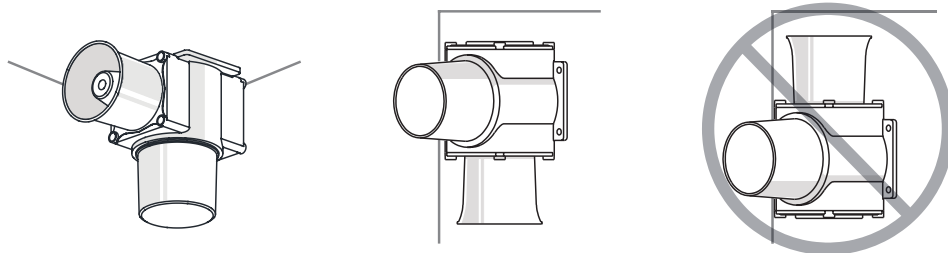
· ELECTRONIC SOUNDER/SIGNAL HORN

Sounder part shall not be facing the sky.



· HEAVY-DUTY & EXPLOSION PROOF SIGNALINGS

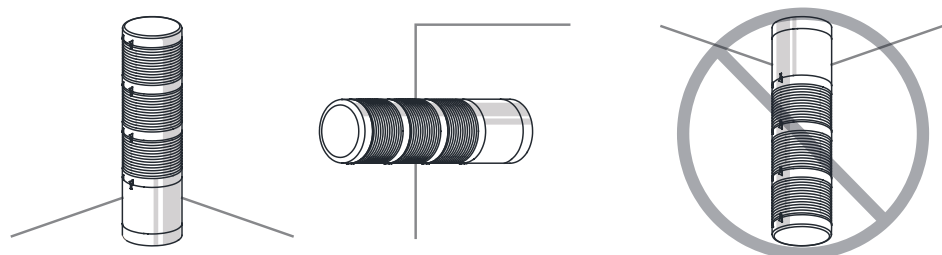
Sounder part shall not be facing the sky.

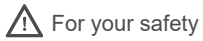


· SIGNAL TOWER LIGHTS

※ For products with a protection rating of less than IPX4, please install it vertically.

Power cord inlet part shall not be facing the sky.





For your safety

Specification and dimensions listed in this catalogue subject to change without notice for product quality improvement.
The newest product information is available on our website.(www.qlight.com)
Please read the instruction manual attached to the product carefully before installation and use.

Qlight Co., Ltd. www.qlight.com | trade@qlight.com

Head Office | Suite #1510, STX-V Tower, 128 Gasan digital 1-ro, Geumcheon-gu, Seoul, Korea

Tel. +82-2-2679-6152(Toll free. +82-80-328-2222) Fax. +82-2-2679-6154

Factory | 185-25, Mukbang-ro, Sangdong-myeon, Gimhae-si, Gyeongsangnamdo, Korea Tel. +82-55-328-1111(Toll free. +82-80-328-1111)

Qlight OverSEAs Sales Dept | 704 Nakdong-daero, Sasang-gu, Busan, Korea(Eomgung-Dong) Tel : +82-51-620-4100

Qlight Public Relations & Marketing Team Office | 704 Nakdong-daero, Sasang-gu, Busan, Korea(Eomgung-Dong) Tel. +82-51-245-0017

Qlight USA, Inc. www.qlight.com www.qlightusa.com | sales@qlightusa.com

3003 North First Street, Suite #341, San Jose, CA 95134 USA Tel. +1-408-519-5740 Fax. +1-408-519-5739

SHANGHAI Qlight Electronic Co., Ltd. www.qlight.com www.qlightcn.com | qlightcn@qlight.com

China Factory/ Shanghai Sales Office | #19, Nanda Road, Baoshan Area, Shanghai, China Tel. +86-21-6651-7100 Fax. +86-21-6315-3929

China Factory Site 2 (Qidong) | #33, Haiyan Road, Qidong High-tech Industrial Development Zone, Qidong, Jiangsu Province, China

Tel +86-513-8384-9999 Fax +86-513-8384-9910

Qlightec

Innovation in Alarm & Signal

Product Operation Inquiry / Customer Support +82-51-620-4100

You can expect prompt service if you have exact information such as model name, symptom, telephone number and address.

※ ALL PRODUCT, PRODUCT SPECIFICATIONS AND DATA ARE SUBJECT TO CHANGE WITHOUT NOTICE TO IMPROVE RELIABILITY, FUNCTION OR DESIGN OR OTHERWISE.

Head office : Suite #1510, STX-V Tower, 128 Gasan digital 1-ro, Geumcheon-gu, Seoul, Korea (Postal Code : 08507)

Factory : 185-25, Mukbang-Ro, Sangdong-Myeon, Gimhae-Si, Gyeongsangnam-Do, Korea (Postal Code : 50805)

www.qlight.com

EN - SESA - 2308A