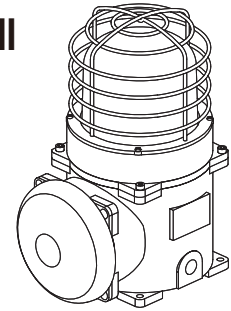
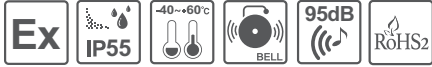


# Explosion Proof Warning Light/ Signal Light and Alarm Bell

## SEBA/ SEBAS/ SEBAL/ SEBALR



Thank you for purchasing Qlight's products. Please read this user manual carefully prior to installation and operation to ensure safe and correct use.

### ⚠ Safety Precautions for Explosion Proof Products

Please follow the instruction below to ensure safe and correct use of explosion proof products.

1. Explosion proof products should be managed according to explosion-proof regulations. Do not disassemble, assemble, alter or repair the product arbitrarily.
2. The temperature rating of the product is the temperature the product will experience at the applied rated voltage and ambient temperature indicated.
3. Use cable glands that satisfy the product's explosion proof grade and temperature grade.
4. Unused cable entries must be filled with material that meets the explosion proof grade and temperature rating.
5. Before installing the product, please make sure all cautions indicated on the labels, packaging, and operation manual of the product are fully understood.
6. Installation, maintenance and repair of the product must be performed by experts in the explosion proof field, or persons who have received relevant training.
7. For safety, the product should be installed and operated in environments that avoid high temperature and high pressure.
8. Please follow general safety precautions and avoid installing the product in locations that may generate excessive heat.
9. When installing the product in places where chemicals are located, please make sure that the environment does not have two or more incompatible chemicals mixed. For safety, please read the instruction manual carefully and be mindful of the chemical compositions where the product is used.
10. This product requires grounding.
11. When using NPT cable glands (plugs), it is recommended to use them after applying non-hardening grease to maintain protective performance.

### ⚠ Precaution for Safety

Failure to follow the instructions below may cause a loss of life or serious physical injury.

1. During wiring or maintenance, please completely turn off the power of the product. (Failure to follow this may lead to an electric shock.)
2. Do not install the product in locations that subjects it to excessive dust or water other than the conditions designated by the IP protection ratings indicated for each product. (Failure to follow these instructions may cause a fire to the product, electric shock, physical injury, malfunction or damage to the product.)
3. Do not alter or repair this product. If maintenance or repair service is required, please contact your local Qlight contact point. (Failure to follow these instructions may lead to fire, electric shock, or product damage.)
4. Please apply the correct voltage to the product. (Failure to follow these instructions may lead to fire, electric shock, or product damage.)
5. When the product is applied to a condition that may impact lives or property, please make sure to have a double safety device. (Failure to follow this may cause damage to property, fire, electric shock and loss of life.)

### ⚠ Precautions for Correct Use

Failure to follow the proper instructions may cause damage to property, the product, or malfunction of the product that would void the warranty.

1. Please remove any objects that can interrupt ventilation around the product.
2. Please turn off the power of the product immediately if it fails to operate properly.
3. Carefully wire the product according to each product's specification.
4. Please be careful in preventing chemicals such as thinner, benzene, etc. in contact with the surface of the product.
5. Do not apply excessive force/impact to the product.
6. Failure to follow any of the instructions above may cause malfunction or damage to the product, fire, and electric shock.

### Ordering Specifications

SEBA	-	220	-	R
[Model number]		[Voltage]		[Color]
• SEBA		• 24-DC24V		R-Red
• SEBAS		• 110-AC110V		A-Amber
• SEBAL		• 220-AC220V		G-Green
• SEBALR				B-Blue



Please scan the QR code for more detailed product information.

[www.qlight.com](http://www.qlight.com)

## Product Specifications

### Explosion Proof Specifications

Model number	SEBA
	SEBAS
	SEBAL
	SEBALR
Range of operating voltage	DC24V AC 110V or 220V
Ex mark	Ex d II C T6
Ambient operating temperature	-40°C ≤ Ta ≤ 60°C
Explosion proof Zone	Zone1, Zone2
Protection rating	IP55

Zone definitions(Gas)	Zone 1	High risk gas/vapour(Gas)
	Zone 2	Medium risk gas/vapour(Gas)
Group definitions(Gas)	GROUP II A	Acetone, Petrol, Methanol, Propane, Toluene
	GROUP II B	Ethylene, City gas
	GROUP II C	Hydrogen, Acetylene, Carbon sulphide
Maximum surface temperature of electrical equipment	T1	450°C
	T2	300°C
	T3	200°C
	T4	135°C
Zone definitions(Dust)	T5	100°C
	T6	85°C
	Zone 21	High risk powder/dust(Dust)
Group definitions(Dust)	Zone 22	Medium risk powder/dust(Dust)
	GROUP II A	Ignitable fibers/flyings(more than 0.5mm)
Group definitions(Dust)	GROUP II B	Non-conductive dusts
	GROUP II C	Conductive dusts

### General Product Specifications

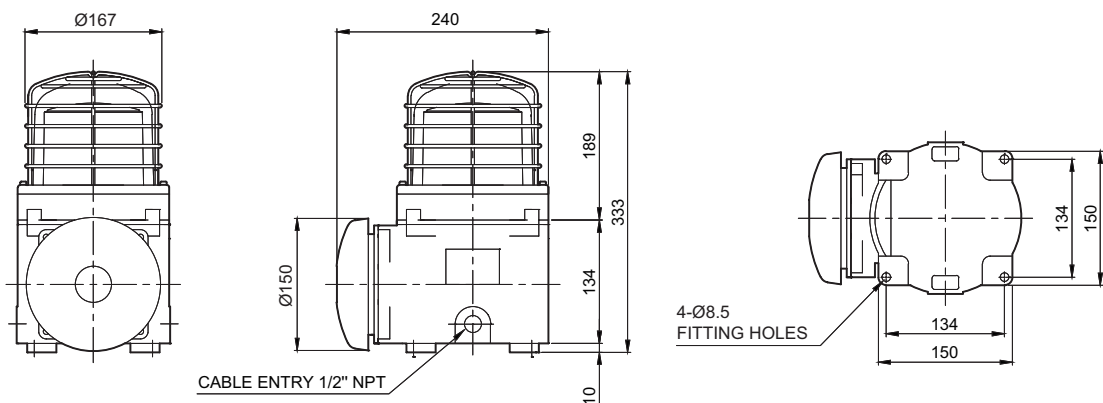
Model number	Voltage	Current	Bulb specifications			Volume	Certificates	Weight	Color
			Volts/Watts	Configuration	Part#				
SEBA	DC24V	0.811A	24V15W	G23 15S	18	Max.95dB	KIMM	7.37kg	R-Red A-Amber G-Green B-Blue
	AC110V	0.291A	12V15W	G23 15S	17			8.06kg	
	AC220V	0.145A	12V15W	G23 15S	17			7.24kg	
SEBAS	DC24V	0.666A	200V ~550V	EUB0641 -1A(G) U type	48		-	7.24kg	
	AC110V	0.222A						7.67kg	
	AC220V	0.150A						7.67kg	

Model number	Voltage	Current	Volume	Certificates	Weight	Color
SEBAL	DC24V	0.213A	Max.95dB	-	7.25kg	R-Red A-Amber G-Green B-Blue
	AC110V	0.131A			7.99kg	
	AC220V	0.065 A			7.20kg	
SEBALR	DC24V	0.172A			7.20kg	
	AC110V	0.122A			7.92kg	
	AC220V	0.061A			7.92kg	

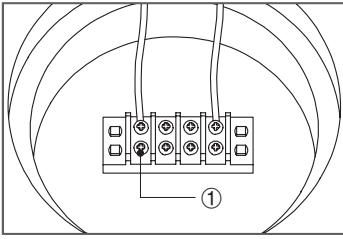
## Dimensions

(Units : mm)

### SEBA/ SEBAS/ SEBAL/ SEBALR



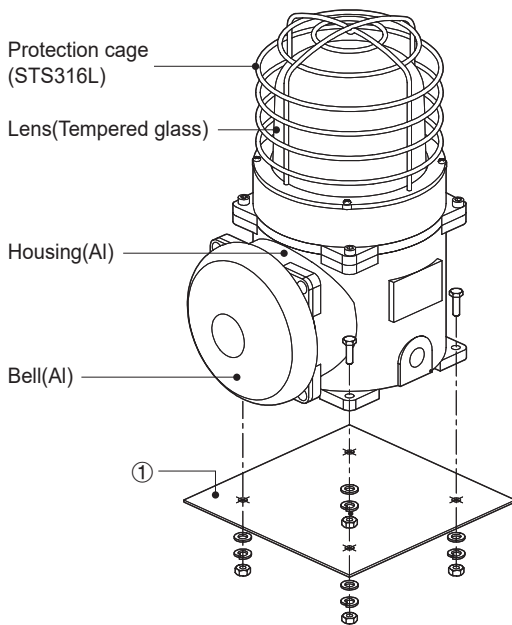
## Terminal Box Wiring Instructions



- Terminal block is located inside of the product. Unscrew the 4 bolts located in the upper body to get rid of the upper lighting element of the unit.
  - Please apply fork (U-type) or ring (O-type) locking spade terminal at naked tip of the wire for secure connection.
  - Please wire the power line to terminal ①.
  - For AC type products, wire regardless of polarity.
  - For DC type products, wire terminal of black line to (-) polarity.
  - Once the unit is powered on, light and bell are working simultaneously.
- ※ Applicable cable range : AWG16-AWG22

## Parts Definition/ Installation/ Light Function Selection

### ■ Parts Definition

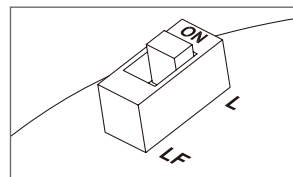


### ■ Installation

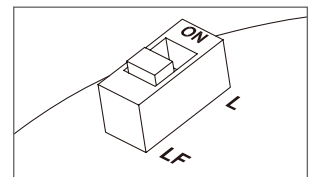
- First, machine taps or holes on the mounting surface ①.
- The mounting hole of this product is 8.5mm in diameter.
- When machining taps, fasten the bolt through the mounting hole of the product.
- When machining holes, insert the bolt through the hole of the product, and tighten the nut from the opposite side of the mounting surface.

### ■ Light Function Selection(SEBAL only)

- Please refer to the chart below to use light function selection switch located inside the product.



▶ L : Steady

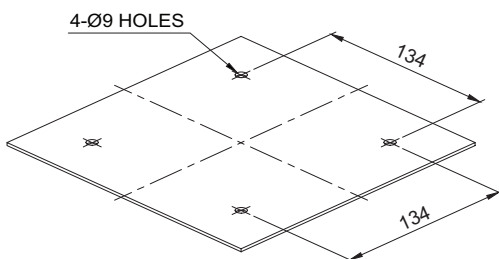


▶ LF : Flashing

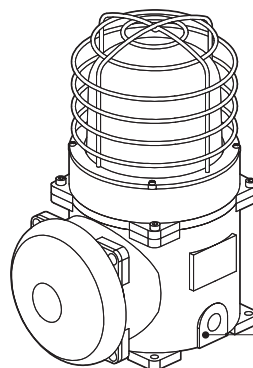
- Default function is set at steady LED. Select the desired function for your application during installation.

## Mounting Hole Specifications

- Machine holes on the mounting surface referring to the diagram below.



## Grounding Instructions

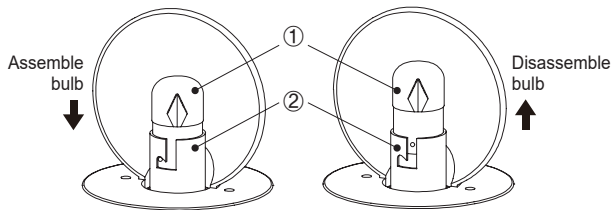


- Please use an M4 bolt at the location marked in the diagram above to ground the product.
- When connecting the grounding cable, please use a ring terminal.
- Please use a grounding cable with a diameter greater than 4mm.

M4 ground contact part

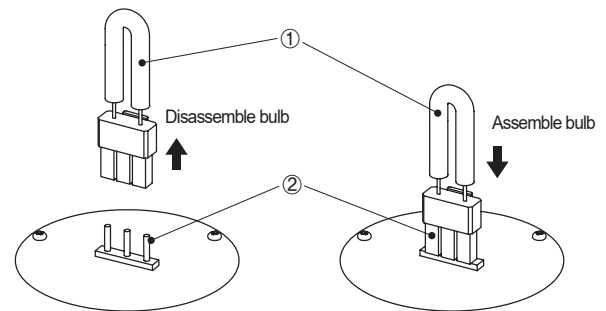
## Bulb/ Xenon Bulb Replacement Instructions

### ■ Bulb Replacement Instructions(SEBA only)



- Please wait at least 1 minute after turning off the power before replacing the bulb.
- In order to disassemble the bulb, please push down the bulb(①) lightly and screw it counterclockwise.
- In order to put the bulb in to the unit, please place the bulb(①) in the socket(②) and screw it clockwise while lightly pushing down the bulb.

### ■ Xenon Bulb Replacement Instructions(SEBAS only)



- Please wait at least 30 minutes after turning off the power before replacing the xenon bulb.
- Please pull out the entire xenon bulb structure ① to disassemble while pushing the hook down.
- For xenon bulb assembly, please push down the connector portion of the xenon bulb structure to the connector pin location ② until it makes "clark" sound.

## Installation Environment and Protection Rating

- This product is designed to be explosion proof.
- Please make sure to use the product in an environment that meets the specified explosion proof rating and regulations.
- For further information, please visit our website ([www.qlight.com](http://www.qlight.com)).

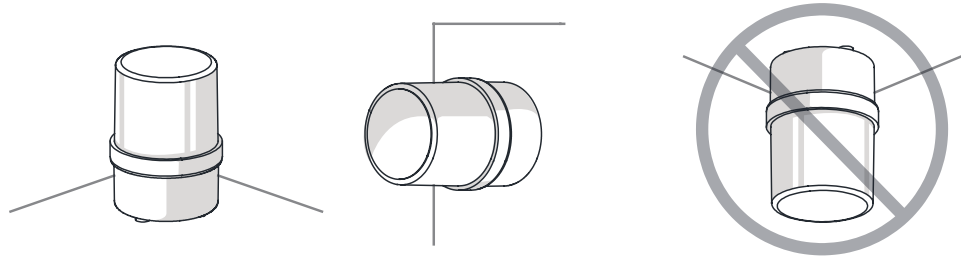
## Product installation direction

- Install the product in accordance with the manual. Otherwise rainwater or moisture may penetrate into the product.

### · BEACON/SIGNALING LIGHT

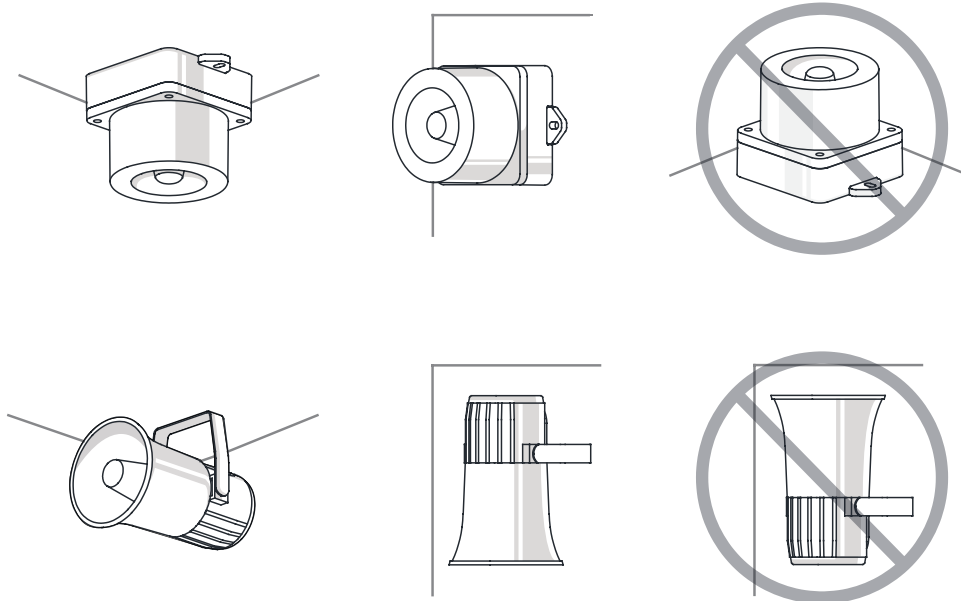
※ For products with a protection rating of less than IPX4, please install it vertically.

Power cord inlet part shall not be facing the sky.



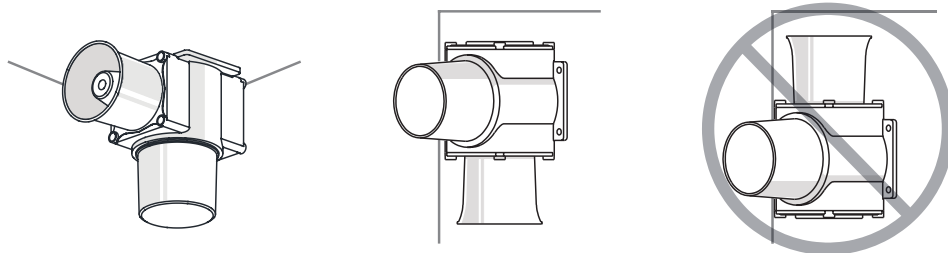
### · ELECTRONIC SOUNDER/SIGNAL HORN

Sounder part shall not be facing the sky.



### · HEAVY-DUTY & EXPLOSION PROOF SIGNALINGS

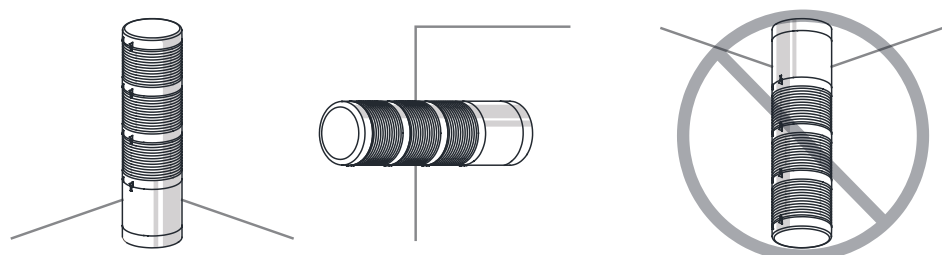
Sounder part shall not be facing the sky.



### · SIGNAL TOWER LIGHTS

※ For products with a protection rating of less than IPX4, please install it vertically.

Power cord inlet part shall not be facing the sky.









For your safety

Specification and dimensions listed in this catalogue subject to change without notice for product quality improvement.  
The newest product information is available on our website.(www.qlight.com)  
Please read the instruction manual attached to the product carefully before installation and use.

*Qlight Co., Ltd. www.qlight.com | trade@qlight.com*

Head Office | Suite #1510, STX-V Tower, 128 Gasan digital 1-ro, Geumcheon-gu, Seoul, Korea

Tel. +82-2-2679-6152(Toll free. +82-80-328-2222) Fax. +82-2-2679-6154

Factory | 185-25, Mukbang-ro, Sangdong-myeon, Gimhae-si, Gyeongsangnamdo, Korea Tel. +82-55-328-1111(Toll free. +82-80-328-1111)

Qlight OverSEAs Sales Dept | 704 Nakdong-daero, Sasang-gu, Busan, Korea(Eomgung-Dong) Tel : +82-51-620-4100

Qlight Public Relations & Marketing Team Office | 704 Nakdong-daero, Sasang-gu, Busan, Korea(Eomgung-Dong) Tel. +82-51-245-0017

---

*Qlight USA, Inc. www.qlight.com www.qlightusa.com | sales@qlightusa.com*

3003 North First Street, Suite #341, San Jose, CA 95134 USA Tel. +1-408-519-5740 Fax. +1-408-519-5739

---

*SHANGHAI Qlight Electronic Co., Ltd. www.qlight.com www.qlightcn.com | qlightcn@qlight.com*

China Factory/ Shanghai Sales Office | #19, Nanda Road, Baoshan Area, Shanghai, China Tel. +86-21-6651-7100 Fax. +86-21-6315-3929

China Factory Site 2 (Qidong) | #33, Haiyan Road, Qidong High-tech Industrial Development Zone, Qidong, Jiangsu Province, China

Tel +86-513-8384-9999 Fax +86-513-8384-9910

**Qlightec**

Innovation in Alarm & Signal

Product Operation Inquiry / Customer Support +82-51-620-4100

You can expect prompt service if you have exact information such as model name, symptom, telephone number and address.

※ ALL PRODUCT, PRODUCT SPECIFICATIONS AND DATA ARE SUBJECT TO CHANGE WITHOUT NOTICE TO IMPROVE RELIABILITY, FUNCTION OR DESIGN OR OTHERWISE.

Head office : Suite #1510, STX-V Tower, 128 Gasan digital 1-ro, Geumcheon-gu, Seoul, Korea (Postal Code : 08507)

Factory : 185-25, Mukbang-Ro, Sangdong-Myeon, Gimhae-Si, Gyeongsangnam-Do, Korea (Postal Code : 50805)

www.qlight.com

EN - SEBA - 2305A