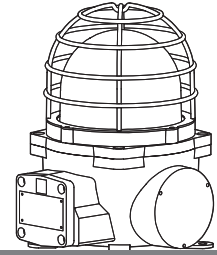
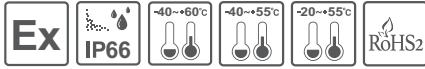


# Explosion Proof Warning Light/ Signal Light

## SNE/SNEL/SNELR/SNE-S



Thank you for purchasing Qlight's products. Please read this user manual carefully prior to installation and operation to ensure safe and correct use.

### ⚠ Safety Precautions for Explosion Proof Products

Please follow the instruction below to ensure safe and correct use of explosion proof products.

1. Explosion proof products should be managed according to explosion proof regulations. Do not disassemble, assemble, alter or repair the product arbitrarily.
2. The temperature rating of the product is the temperature the product will experience at the applied rated voltage and ambient temperature indicated.
3. Use cable glands that satisfy the product's explosion proof grade and temperature grade.
4. Unused cable entries must be filled with material that meets the explosion proof grade and temperature rating.
5. Before installing the product, please make sure all cautions indicated on the labels, packaging, and operation manual of the product are fully understood.
6. Installation, maintenance and repair of the product must be performed by experts in the explosion proof field, or persons who have received relevant training.
7. For safety, the product should be installed and operated in environments that avoid high temperature and high pressure.
8. Please follow general safety precautions and avoid installing the product in locations that may generate excessive heat.
9. When installing the product in places where chemicals are located, please make sure that the environment does not have two or more incompatible chemicals mixed. For safety, please read the instruction manual carefully and be mindful of the chemical compositions where the product is used.
10. This product requires grounding.
11. Please note that special conditions shall be applied if the sign "X" is placed after the certificate number.
  - 1) For safe use, regular overpressure test must be carried out in accordance with EN 60079-1, clause 15.2.3.
  - 2) For safe use, tempered glass must be protected from strong impact
12. When using NPT cable glands (plugs), it is recommended to use them after applying non-hardening grease to maintain protective performance.

### ⚠ Precaution for Safety

Failure to follow the instructions below may cause a loss of life or serious physical injury.

1. During wiring or maintenance, please completely turn off the power of the product. (Failure to follow this may lead to an electric shock.)
2. Do not install the product in locations that subjects it to excessive dust or water other than the conditions designated by the IP protection ratings indicated for each product. (Failure to follow these instructions may cause a fire to the product, electric shock, physical injury, malfunction or damage to the product.)
3. Do not alter or repair this product. If maintenance or repair service is required, please contact your local Qlight contact point. (Failure to follow these instructions may lead to fire, electric shock, or product damage.)
4. Please apply the correct voltage to the product. (Failure to follow these instructions may lead to fire, electric shock, or product damage.)
5. When the product is applied to a condition that may impact lives or property, please make sure to have a double safety device. (Failure to follow this may cause damage to property, fire, electric shock and loss of life.)

### ⚠ Precautions for Correct Use

Failure to follow the proper instructions may cause damage to property, the product, or malfunction of the product that would void the warranty.

1. Please remove any objects that can interrupt ventilation around the product.
2. Please turn off the power of the product immediately if it fails to operate properly.
3. Carefully wire the product according to each product's specification.
4. Please be careful in preventing chemicals such as thinner, benzene, etc. in contact with the surface of the product.
5. Do not apply excessive force/impact to the product.
6. Failure to follow any of the instructions above may cause malfunction or damage to the product, fire, and electric shock.



Please scan the QR code for more detailed product information.

[www.qlight.com](http://www.qlight.com)

## Ordering Specifications

SNE	-	220	-	R
[Model number]		[Voltage]		[Color]
<ul style="list-style-type: none"> <li>• SNE</li> <li>• SNEL</li> <li>• SNELR</li> <li>• SNE-S</li> </ul>		<ul style="list-style-type: none"> <li>• 12-DC12V</li> <li>• 24-DC24V</li> <li>• 110-AC110V</li> <li>• 220-AC220V</li> </ul>		<ul style="list-style-type: none"> <li>R-Red</li> <li>A-Amber</li> <li>G-Green</li> <li>B-Blue</li> </ul>

## Product Specifications

### Explosion Proof Specifications

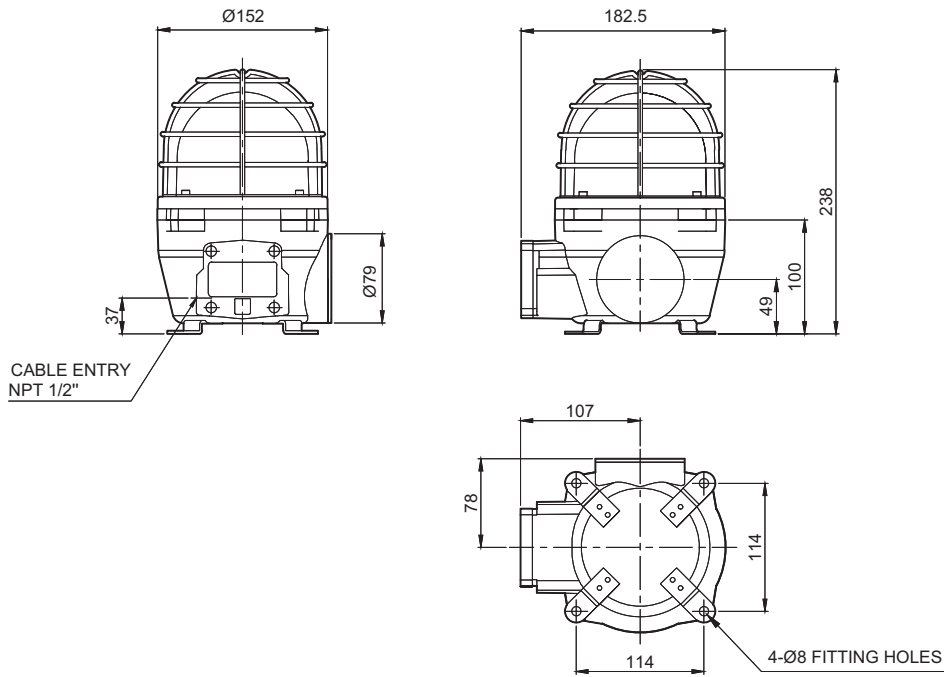
Model number	SNE	Zone definitions(Gas)	Zone 1	High risk gas/vapour(Gas)
	SNEL		Zone 2	Medium risk gas/vapour(Gas)
	SNELR		GROUP II A	Acetone, Petrol, Methanol, Propane, Toluene
	SNE-S		GROUP II B	Ethylene, City gas
Range of operating voltage	DC 12V or 24V	Group definitions(Gas)	GROUP II C	Hydrogen, Acetylene, Carbon sulphide
	AC 110V or 220V			
Ex mark	IECEX, TIIS - Ex d IIC T6 Gb, IP66	Maximum surface temperature of electrical Equipment	T1	450°C
	ATEX -  II2G Ex db IIC T6 Gb		T2	300°C
	II2G Ex db op is IIC T6 Gb(with LED)		T3	200°C
	NEPSI, CCC - Ex db IIC T6 Gb, IP66		Zone definitions(Dust)	T4
KCs - Ex d IIC T6 IP66 (SNEL DC12/24V, AC110V only)		T5	100°C	
Ambient operating temperature	-40°C ≤ Ta ≤ 55°C(KCs)	Group definitions(Dust)	T6	85°C
	-40°C ≤ Ta ≤ 60°C		Zone 21	High risk powder/dust(Dust)
	-20°C ≤ Ta ≤ 55°C(TIIS)		Zone 22	Medium risk powder/dust(Dust)
Explosion proof Zone	Zone1, Zone2	Group definitions(Dust)	GROUP II A	Ignitable fibers/flyings(more than 0.5mm)
Protection rating	IP66		GROUP II B	Non-conductive dusts
			GROUP II C	Conductive dusts

### General Product Specifications

Model number	Voltage	Current	Bulb specifications			Certificates	Weight	Color
			Volts/Watts	Configuration	Part#			
SNE	DC12V	1.545A	12V15W	G23 15S	17		3.60kg	R-Red A-Amber G-Green B-Blue
	DC24V	0.766A	24V15W	G23 15S	18			
	AC110V	0.204A	12V15W	G23 15S	17			
	AC220V	0.102A	12V15W	G23 15S	17			
SNE-S	DC12V -24V	Max. 0.435A	220V -350V	BGA2120 -BBC I type	47		3.25kg	R-Red A-Amber G-Green B-Blue
	AC110V	0.075A					3.95kg	
	AC220V	0.060A						

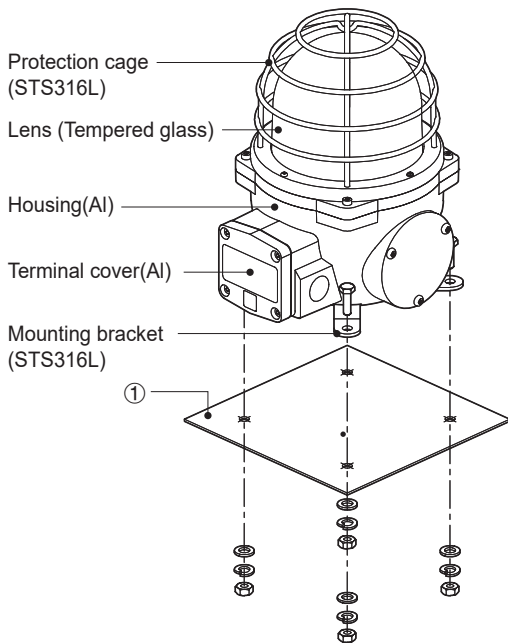
Model number	Voltage	Current	Certificates	Weight	Color
SNEL	DC12V-24V	Max.0.125A		3.15kg	R-Red A-Amber G-Green B-Blue
	AC110V	0.035A		3.85kg	
	AC220V	0.020A			
SNELR	DC12V	0.183A		3.65kg	R-Red A-Amber G-Green B-Blue
	DC24V	0.127A		4.30kg	
	AC110V	0.035A			
	AC220V	0.017A			

SNE/ SNEL/ SNELR/ SNE-S



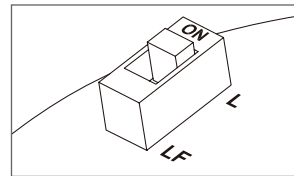
Parts Definition/ Installation/ Light Function Selection

■ Parts Definition

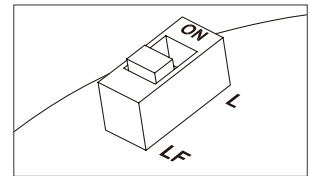


■ Light Function Selection(SNEL only)

- Please refer to the chart below to use light function selection switch located inside the product.



► L : Steady



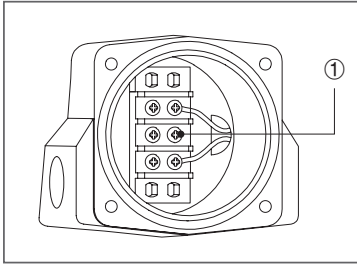
► LF : Flashing

- Default function is set at steady LED. Select the desired function for your application during installation.

■ Installation

- First, machine taps or holes on the mounting surface ①.
- The mounting hole of this product is 8mm in diameter.
- When machining taps, fasten the bolt through the mounting hole of the product.
- When machining holes, insert the bolt through the hole of the product, and tighten the nut from the opposite side of the mounting surface.

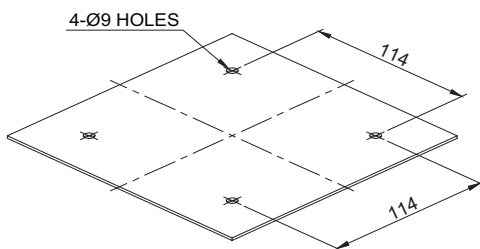
## Terminal Box Wiring Instructions



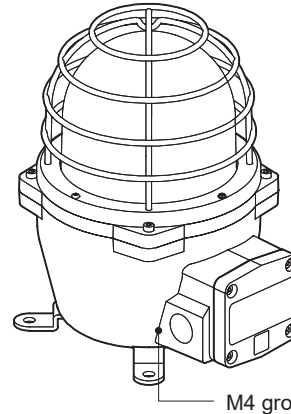
- Terminal block is located inside of the product. Unscrew the 4 bolts located in the upper body to get rid of the upper lighting element of the unit.
- Please apply fork (U-type) or ring (O-type) locking spade terminal at naked tip of the wire for secure connection.
- Please wire the power line to terminal ①
- For AC type products, wire regardless of polarity.
- For DC type products, wire terminal of black line to (-) polarity.
- External power line - UL1015 AWG18(0.75sq) x 2C 400mm
- ※ Applicable cable range : AWG16-AWG22

## Mounting Hole Specifications

- Machine holes on the mounting surface referring to the diagram below.



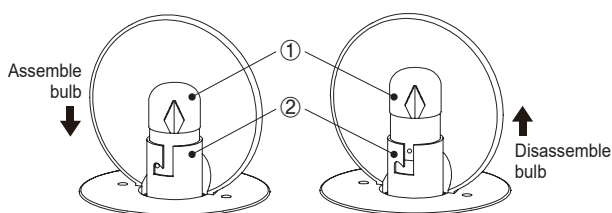
## Grounding Instructions



- Please use an M4 bolt at the location marked in the diagram above to ground the product.
- When connecting the grounding cable, please use a ring terminal.
- Please use a grounding cable with a diameter greater than 4mm.

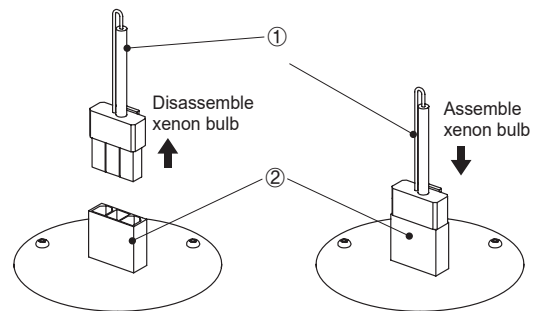
## Bulb Replacement Instructions/ Xenon Bulb Replacement Instructions

### ■ Bulb Replacement Instructions(SNE only)



- Please wait at least 1 minute after turning off the power before replacing the bulb.
- In order to disassemble the bulb, please push down the bulb(①) lightly and screw it counterclockwise.
- In order to put the bulb in to the unit, please place the bulb(①) in the socket(②) and screw it clockwise while lightly pushing down the bulb.

### ■ Xenon Bulb Replacement Instructions(SNE-S only)



- Please wait at least 30 minutes after turning off the power before replacing the xenon bulb.
- Please pull out the entire xenon bulb structure ① to disassemble.
- For xenon bulb assembly, please ensure the connector portion of the xenon bulb structure matches the pin location②.

## Installation Environment and Protection Rating

- This product is designed to be explosion proof.
- Please make sure to use the product in an environment that meets the specified explosion proof rating and regulations.
- For further information, please visit our website ([www.qlight.com](http://www.qlight.com)).

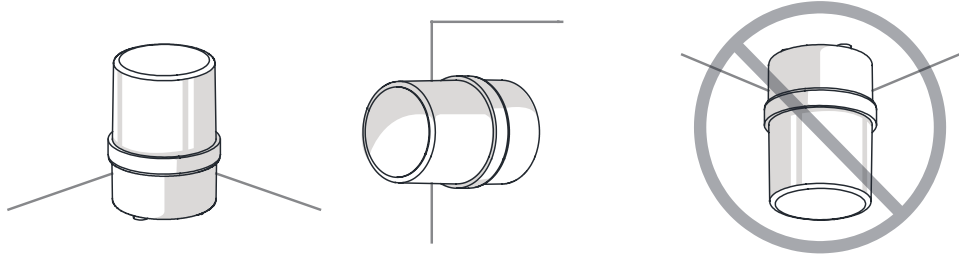
## Product installation direction

- Install the product in accordance with the manual. Otherwise rainwater or moisture may penetrate into the product.

### · BEACON/SIGNALING LIGHT

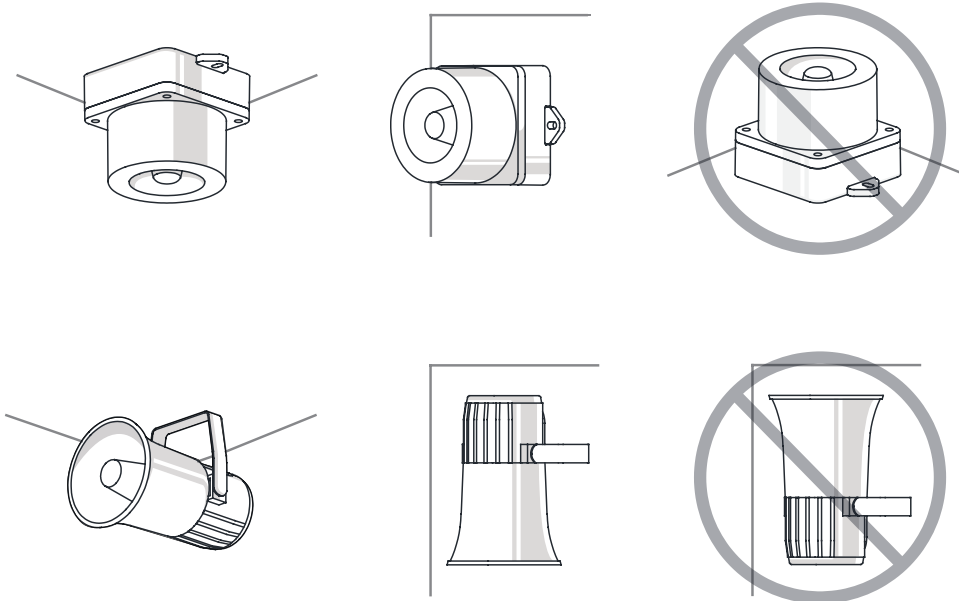
※ For products with a protection rating of less than IPX4, please install it vertically.

Power cord inlet part shall not be facing the sky.



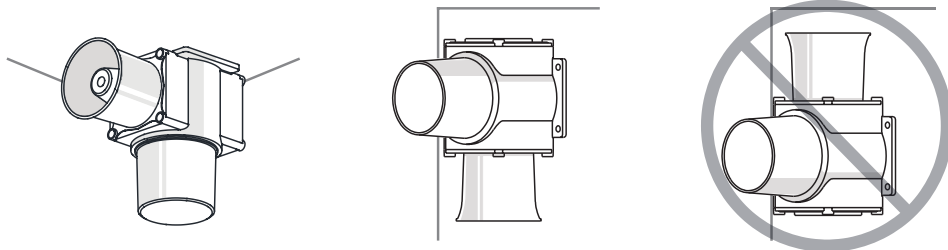
### · ELECTRONIC SOUNDER/SIGNAL HORN

Sounder part shall not be facing the sky.



### · HEAVY-DUTY & EXPLOSION PROOF SIGNALINGS

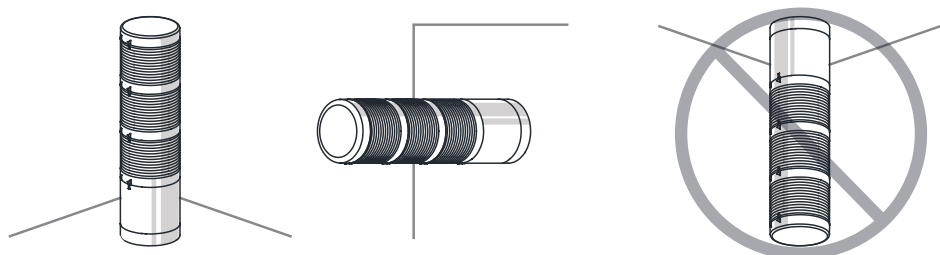
Sounder part shall not be facing the sky.



### · SIGNAL TOWER LIGHTS

※ For products with a protection rating of less than IPX4, please install it vertically.

Power cord inlet part shall not be facing the sky.









For your safety

Specification and dimensions listed in this catalogue subject to change without notice for product quality improvement.  
The newest product information is available on our website.(www.qlight.com)  
PleaSNE read the instruction manual attached to the product carefully before installation and uSNE.

*Qlight Co., Ltd. www.qlight.com | trade@qlight.com*

Head Office | Suite #1510, STX-V Tower, 128 Gasan digital 1-ro, Geumcheon-gu, SNEoul, Korea

Tel. +82-2-2679-6152(Toll free. +82-80-328-2222) Fax. +82-2-2679-6154

Factory | 185-25, Mukbang-ro, Sangdong-myeon, Gimhae-si, Gyeongsangnamdo, Korea Tel. +82-55-328-1111(Toll free. +82-80-328-1111)

Qlight OverSNEAs Sales Dept | 704 Nakdong-daero, Sasang-gu, Busan, Korea(Eomgung-Dong) Tel : +82-51-620-4100

Qlight Public Relations & Marketing Team Office | 704 Nakdong-daero, Sasang-gu, Busan, Korea(Eomgung-Dong) Tel. +82-51-245-0017

---

*Qlight USA, Inc. www.qlight.com www.qlightusa.com | sales@qlightusa.com*

3003 North First Street, Suite #341, San JoSNE, CA 95134 USA Tel. +1-408-519-5740 Fax. +1-408-519-5739

---

*SHANGHAI Qlight Electronic Co., Ltd. www.qlight.com www.qlightcn.com | qlightcn@qlight.com*

China Factory/ Shanghai Sales Office | #19, Nanda Road, Baoshan Area, Shanghai, China Tel. +86-21-6651-7100 Fax. +86-21-6315-3929

China Factory Site 2 (Qidong) | #33, Haiyan Road, Qidong High-tech Industrial Development Zone, Qidong, Jiangsu Province, China

Tel +86-513-8384-9999 Fax +86-513-8384-9910

**Qlightec**

Innovation in Alarm & Signal

Product Operation Inquiry / Customer Support +82-51-620-4100

You can expect prompt SNErvice if you have exact information such as model name, symptom, telephone number and address.

※ ALL PRODUCT, PRODUCT SPECIFICATIONS AND DATA ARE SUBJECT TO CHANGE WITHOUT NOTICE TO IMPROVE

RELIABILITY, FUNCTION OR DESIGN OR OTHERWISE.

Head office : Suite #1510, STX-V Tower, 128 Gasan digital 1-ro, Geumcheon-gu, SNEoul, Korea (Postal Code : 08507)

Factory : 185-25, Mukbang-Ro, Sangdong-Myeon, Gimhae-Si, Gyeongsangnam-Do, Korea (Postal Code : 50805)

www.qlight.com

EN - SNE - 2306A