

SE series

Brass Housing Explosion Proof Warning/ Signal Lights



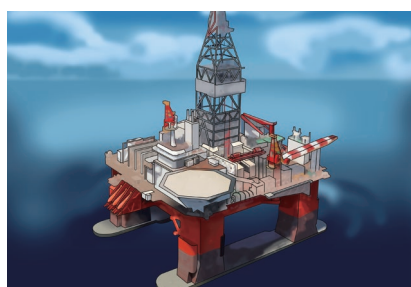
The brass housing product with excellent corrosion resistance



SELR



SEL



Flameproof warning/ signal lights applied in Oil/ Natural Gas offshore rigs where explosions can be ignited by mining, production, and storage as shown in the offshore rig image above.



Common Specifications(SELR/ SEL/ SE-S/ SE)

- Brass housing explosion proof warning lights with excellent corrosion resistant
- A variety of light source selections from bulb, LED, and xenon lamp
- Fully enclosed structure with protection rating of IP66
- Integrated housing and terminal box model
- Housing standard color : MUNSELL No. 7.5BG 7/2
- Cable entry : 1/2" NPT
- Materials : Lens-Tempered glass, Inner lens-PC, Housing-Al, Protection cage-ST316L, Reflector for LED type-PC/ Reflector for bulb type-Heat resistant ABS
- Protection rating : KIMM-Ex d IIC T6, IP66
- Ambient operating temperature : $-40^{\circ}\text{C} \leq T_{\text{amb}} \leq +60^{\circ}\text{C}$



SELR LED Revolving Warning Light

- Excellent omni-directional visibility with LED light collecting system and special multifaceted reflector
- Revolving speed : 120-140RPM

Model number	Voltage	Current	Certificate	Weight	Color
SELR	DC12V	0.183A	-	13.35kg	<ul style="list-style-type: none"> ● R-Red ● A-Amber ● G-Green ● B-Blue
	DC24V	0.127A		13.35kg	
	AC110V	0.035A		13.91kg	
	AC220V	0.017A		13.91kg	



SEL LED Steady/ Flashing Signal Light

- Long-lasting high intensity LED light source
- Suitable for applications where bulb replacement is hard
- Built in switch for steady/flashing selection
- Flashing rate : 60-80 flashes/min

Model number	Voltage	Current	Certificate	Weight	Color
SEL	DC12V-24V	MAx. 0.125A		13.29kg	<ul style="list-style-type: none"> ● R-Red ● A-Amber ● G-Green ● B-Blue
	AC110V	0.035A		14.26kg	
	AC220V	0.020A		14.26kg	

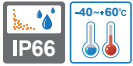


Customization

- Explosion proof cable gland attached type available (Standard type does not provide explosion proof cable gland)
- Customized 2 way cable entries
- Customized cable entry (3/4" NPT, M20×1.5) available

SE series

Brass Housing Explosion Proof Warning/ Signal Lights



SE-S Xenon Strobe Signal Light

- Lamp connector fastening structure allows for convenient lamp replacement
- Excellent long-distance visibility with strong strobe signal diffusion
- Flashing rate : 60-80 flashes/min



SE-S

Model number	Voltage	Current	Bulb			Certificates	Weight	Color
			Spec	Standard	Parts no			
SE-S	DC12V -24V	Max. 0.435A	200V -550V	EUB0641 -1A(G) U Type	48		13.53kg	<ul style="list-style-type: none"> • R-Red • A-Amber • G-Green • B-Blue
	AC110V	0.075A					13.51kg	
	AC220V	0.060A					13.51kg	

SE Bulb Revolving Warning Light

- Excellent signal light diffusion effect with multi-faced reflector
- Revolving speed : 120-140RPM

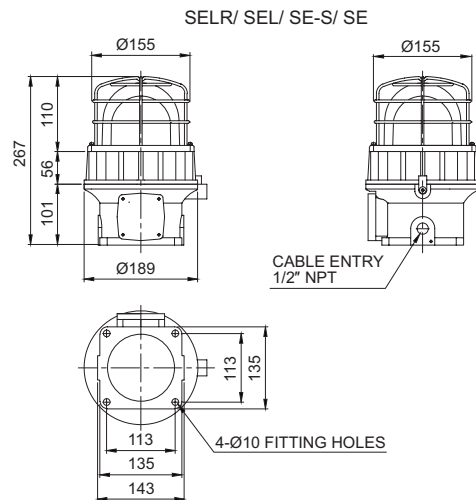


SE

Model number	Voltage	Current	Bulb			Certificates	Weight	Color
			Spec	Standard	Parts no			
SE	DC12V	1.545A	12V15W	G23 15S	17		13.35kg	<ul style="list-style-type: none"> • R-Red • A-Amber • G-Green • B-Blue
	DC24V	0.766A	24V15W	G23 15S	18		13.35kg	
	AC110V	0.204A	12V15W	G23 15S	17		13.91kg	
	AC220V	0.102A	12V15W	G23 15S	17		13.91kg	

Technical Diagram

(Units : mm)



Ordering Specification

SE	-	220	-	R
[Model number]		[Voltage]		[Color]
<ul style="list-style-type: none"> • SELR • SEL • SE-S • SE 		<ul style="list-style-type: none"> • 12-DC12V • 24-DC24V • 12/24-DC12V-24V (SEL, SE-S only) • 110/220-AC110V-220V 		<ul style="list-style-type: none"> • R-Red • A-Amber • G-Green • B-Blue