

SE Series

The brass housing product with excellent corrosion resistance



SEL

PRODUCT SPECIFICATION

SEL | SE-S | SE

Materials Lens-Tempered glass, filter-PC, Housing-Brass, Protection cage-STSS316L, Reflector-PC, Reflector-Heat resistant ABS

Ambient operating temperature


-40°C ≤ Tamb ≤ +60°C

Protection rating KIMM-Ex dIIC T6, IP66

Cable Entry 1/2" NPT


- Brass housing explosion proof warning lights with excellent corrosion resistant
- A variety of light source selections from bulb, LED, and xenon lamp
- Fully enclosed structure with protection rating of IP66
- Integrated housing and terminal box model

SEL LED Steady/Flashing Signal Light

Model number	Voltage	Current	Certificates	Weight	Color
SEL	DC12V-24V	Max.0.125A		13.29kg	● R-Red
	AC110V	0.035A		14.26kg	● A-Amber ● G-Green
	AC220V	0.020A		14.26kg	● B-Blue


- Long-lasting high intensity LED light source
- Suitable for applications where bulb replacement is hard
- Built-in steady/flashing selection switch
- Flashing rate: 60-80 flashes/min

SE-S Xenon Lamp Strobe Signal Light

Model number	Voltage	Current	Bulb			Certificates	Weight	Color
			Spec	Standard	Parts no			
SE-S	DC12V-24V	Max. 0.435A	200V -550V	EUB0641 -1A(G) U type	48		13.53kg	● R-Red
	AC110V	0.075A					13.51kg	● A-Amber ● G-Green
	AC220V	0.060A					13.51kg	● B-Blue

- Lamp connector fastening structure allows for convenient lamp replacement
- Excellent long-distance visibility with strong strobe signal diffusion
- Flashing rate: 60-80 flashes/min

SE Bulb Revolving Warning Light

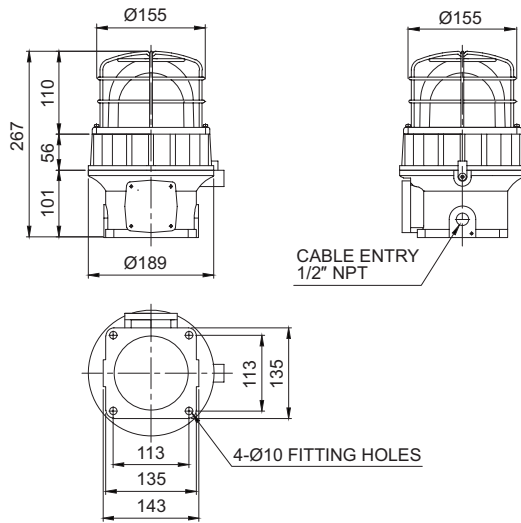
Model number	Voltage	Current	Bulb			Certificates	Weight	Color
			Spec	Standard	Parts no			
SE	DC12V	1.545A	12V15W	G23 15S	17		13.35kg	● R-Red
	DC24V	0.766A	24V15W	G23 15S	18		13.35kg	● A-Amber
	AC110V	0.204A	12V15W	G23 15S	17		13.91kg	● G-Green
	AC220V	0.102A	12V15W	G23 15S	17		13.91kg	● B-Blue

- Excellent signal light diffusion effect with multi-faced reflector
- Revolving speed: 120-140RPM

Technical Diagram

Units: mm

·SEL / SE-S / SE



SE-S



SE

Customization

- Explosion proof cable gland attached type available (Standard type does not provide explosion proof cable gland)
- 2 ways cable entry
- Cable entry 3/4" NPT, M20 x 1.5

Ordering Specification

SE	-	220	-	R
[Model number]		[Voltage]		[Color]
SELR		12-DC12V		● R-Red
SEL		24-DC24V		● A-Amber
SE-S		12/24-DC12V-24V(SEL, SE-S)		● G-Green
SE		110-AC110V		● B-Blue
		220-AC220V		