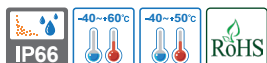
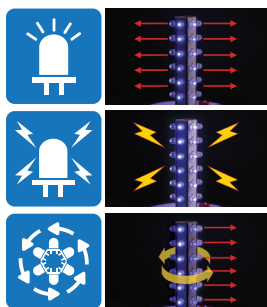


# QNE series

Ø92mm Explosion Proof LED Signal/ Warning Light



Flame proof LED signal light that features steady/flashing, strobe, and simulated revolving light functions in one unit



- **LED Steady/ Flashing**  
Repeat operation of LED light on/off
- **LED Strobe**  
Short LED steady/flashing. Creates a xenon flashing effect by providing maximum electric current
- **LED Simulated Revolving Flashing**  
LED flashes steadily around the cylindrical LED filaments which makes a simulated revolving effect



### Instruction for Light Function Switch

ON=1 / OFF=0

Can select 4 different kinds of light functions with switch configuration

No.	1	2	Operation
0	0	0	LED Steady
1	0	1	LED Flashing
2	1	0	LED Strobe
3	1	1	LED Simulated revolving flashing

### Specifications (QNE/ QNE-SUS/ QNE-BS)

- Explosion proof, multifunctional, and compact LED signal light designed for use in explosive gas environments with Ex d IIC rating
- Features excellent shock and vibration resistance, maintenance significantly reduced with long-lasting LED light source
- Features superior durability with aluminum housing(QNE)
- STS housing provides superior durability and corrosion resistance(QNE-SUS)
- Fully enclosed structure with protection rating of IP66
- Housing standard color : Red, MUNSELL No. 7.5BG 7/2
- Cable entry : 1/2" NPT
- Flashing rate(LF type) : 60-80 flashes/min.
- Strobe rate(LS type) : 70-80 flashes/min.
- Simulated revolving rate(LR type) : 120-140RPM
- Materials : Lens-Tempered glass, Inner lens-PC, Bracket-ST304, Protection cage-ST316L, Housing-Al(QNE), STS316L(QNE-SUS)
- Certificates : ATEX, IECEx, KCs, NEPSI, CCC
- Protection rating : ATEX -  $\text{Ex db IIC T5/T6 Gb, IP66}$   
IECEX - Ex db IIC T5/T6 Gb, IP66  
KCs - Ex d IIC T5/T6, IP66  
NEPSI, CCC - Ex db IIC T5/T6 Gb
- Ambient operating temperature :  $-40^{\circ}\text{C} \leq T_{\text{amb}} \leq +60^{\circ}\text{C}$ (T5)  
 $-40^{\circ}\text{C} \leq T_{\text{amb}} \leq +50^{\circ}\text{C}$ (T6)



QNE



QNE-SUS

### QNE Explosion Proof Signal/ Warning Light

- Features superior durability with aluminum housing

Model number	Voltage	Current	Certificates	Weight	Color
QNE	DC12V-24V	Max. 0.558A		2.05kg	<ul style="list-style-type: none"> <li>• R-Red</li> <li>• A-Amber</li> <li>• G-Green</li> <li>• B-Blue</li> </ul>
	AC110V-230V	Max. 0.136A			

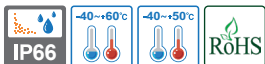
### QNE-SUS Explosion Proof Signal/ Warning Light

- Features superior corrosion resistance and durability with STS housing

Model number	Voltage	Current	Certificates	Weight	Color
QNE-SUS	DC12V-24V	Max. 0.558A		4.65kg	<ul style="list-style-type: none"> <li>• R-Red</li> <li>• A-Amber</li> <li>• G-Green</li> <li>• B-Blue</li> </ul>
	AC110V-230V	Max. 0.136A			

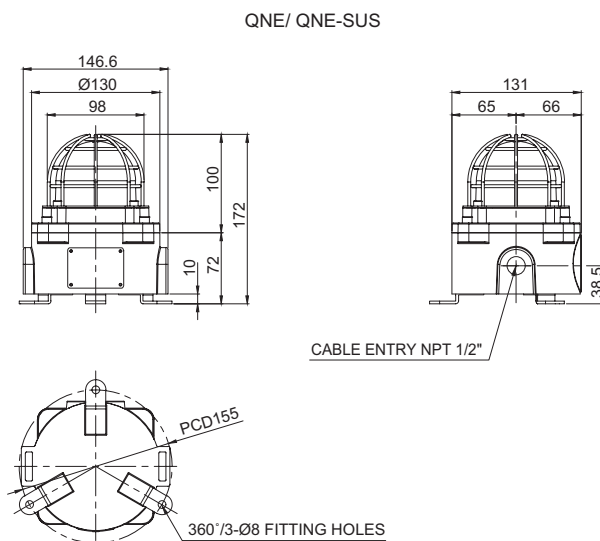
# QNE series

Ø92mm Explosion Proof LED Signal/ Warning Light



## Technical Diagram

(Units : mm)



## Customization

- Built-in explosion proof cable gland  
Standard type does not provide explosion proof cable gland
- Two way cable entries
- M20x1.5 cable entry
- ATEX certified type
- IECEx certified type



## Ordering Specification

<b>QNE</b>	-	<b>110/230</b>	-	<b>R</b>	-	<b>SUS</b>
[Model number]		[Voltage]		[Color]		[Housing material]
• QNE		• 12/24 -DC12V-24V • 110/230 -AC110V-230V		• R-Red • A-Amber • G-Green • B-Blue		• (Blank) - Al • SUS - STS316L