

QMFL300-Ex-24

## PRODUCT SPECIFICATION

QMFL300-Ex-24

**Materials** Housing-Al, Side cover-Al, Lens-Tempered glass, Bracket-SPC1

**Ambient operating temperature**  $-40^{\circ}\text{C} \leq T_{\text{amb}} \leq +60^{\circ}\text{C}$

**Protection rating** KCs - Ex nR II T6  
NEPSI - Ex nR IIC T6 Gc, IP67/IP69K

**Certificates** KCs, NEPSI

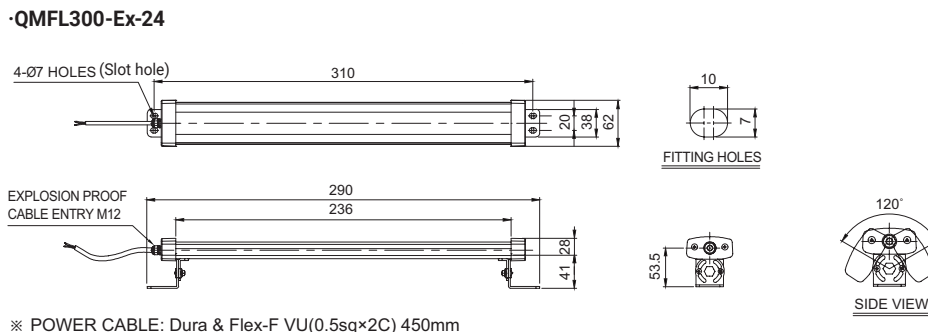
- Water, vibration and oil resistant LED work lights with non sparking ex-proof feature
- Special epoxy sealed structure provides excellent oil resistance
- Aluminum housing and tempered glass improves durability and stability in hazardous areas(Explosive zone)
- Can be used for Zone 2 application with explosion proof rating of nR

### QMFL300-Ex-24 Explosion Proof LED Work Light

Optics Specifications	
Model number	QMFL300-Ex-24
Directions	Translucent
Light color	Cooldaylight
Color temperature	6,000-7,000K
Luminous flux	DC 510lm
Efficacy(lm/W)	DC 260Lux
Specifications	
Voltage	DC24V
Range for operation voltage	DC21.5V-26.5V
Power consumption	10W
Insulation resistance	Min. 100MΩ(500V DC mega ohm meter)
Withstanding voltage	DC: 500VAC, 60Hz, 1 minute
Operating temperature	$-40^{\circ}\text{C} - +60^{\circ}\text{C}$
Protection rating	IP67/IP69K
Materials	Housing-Al, Side cover-Al, Lens-Tempered glass, Bracket-SPC1
Certification	
Weight(Approx.)	0.79kg

### Technical Diagram

Units: mm



### Ordering Specification

QMFL	-	300	-	Ex	-	24
[Model number]		[Product length]		[Ex-proof]		[Voltage]
QMFL-Anti glare type		300-290mm		Ex-Non sparking ex-proof typ		24-DC24V

### Cautions in use

Contact structure of an explosion proof product must be a qualified part we provide. Please do not disassemble, assemble, modify or repair arbitrarily.