

# QLEX-350



**QLEX-350**

## PRODUCT SPECIFICATION

QLEX-350

**Materials** Side cover-Al, Lens-PC,  
Side cover out-NBR, Bracket-Al

**Ambient operating temperature**  $-40^{\circ}\text{C} \leq T_{\text{amb}} \leq +60^{\circ}\text{C}$

**Protection rating** Ex d IIC T6

**Certificates** KCs, NEPSI, CE

- Explosion proof LED work light designed for use in explosive gas environments with Ex d IIC rating
- Enhanced durability with aluminum housing and polycarbonate lens tube
- Semi-permanent service life with long-lasting LED light source
- Features special structure that allows to adjust light angle by turning the light tube

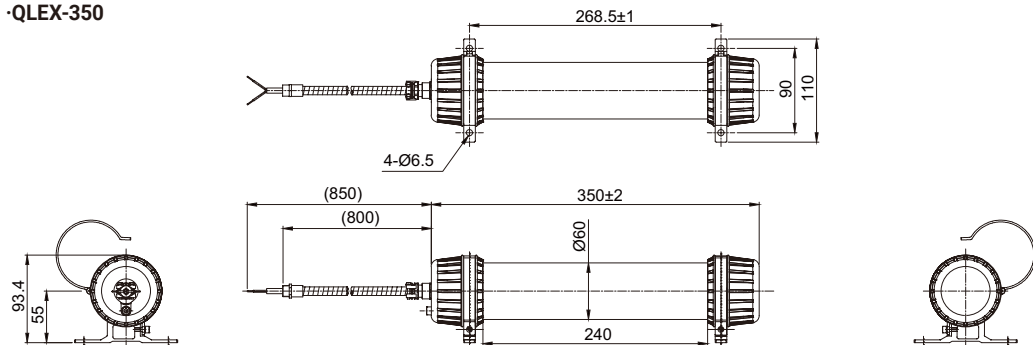
### QLEX-350 Explosion Proof LED Work Light

Optics Specifications	
Model	QLEX-350
Directions	Transparent/Translucent
Light color	Cooldaylight
Color temperature	6,000-7,000K
Luminous flux	DC 780lm
Efficacy(lm/W)	DC 250Lux
Specifications	
Voltage	DC24V
Range for operation voltage	DC21.5V-26.5V
Power consumption	8.6W
Insulation resistance	Min. 100MΩ(500V DC mega ohm meter)
Withstanding voltage	DC: 500VAC, 60Hz, 1 minute
Protection rating	IP66/67
Materials	Side cover-Al, Lens-PC, Side cover out-NBR, Bracket-Al
Certifications	
Weight(Approx.)	1.12Kg

### Technical Diagram

Units: mm

·QLEX-350



· External power line Dura & Flex-F-Vu (0.5sq) 850mm

### Ordering Specification

QLEX	-	350	-	24	-	NEPSI
[Model number]		[Product length]		[Voltage]		[Explosion-proof certification]
QLEX		350-350mm		24-DC24V		KCs NEPSI

### Cautions in use

· Contact structure of an explosion proof product must be a qualified part we provide. Please do not disassemble, assemble, modify or repair arbitrarily.