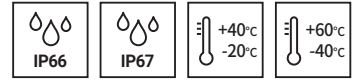


QLEX-NEC-250



QLEX-NEC-250

PRODUCT SPECIFICATION

QLEX-NEC-250

Materials Side cover-AI, Lens-PC, Bracket-AI

Ambient operating temperature

-20°C ≤ Tamb ≤ +40°C (INTERTEK-NRTL)

-40°C ≤ Tamb ≤ +60°C (IECEX)

Explosion protection rating

Class I, Division 2 Groups ABCD T6

Class I, Zone 1, AEx db IIC T6 Gb

Ex db IIC T6 Gb

Protection rating IP66/67

Certificates INTERTEK(NRTL), IECEX, CE

- Explosion proof LED work light designed for use in explosive gas environments with Ex d IIC rating
- Enhanced durability with aluminum housing and polycarbonate lens tube
- Slim and compact structure realize aesthetically pleasing design
- Semi-permanent service life with long-lasting LED light source
- Features special structure that allows to adjust light angle by turning the light tube

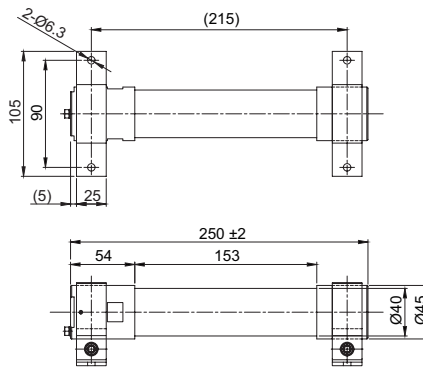
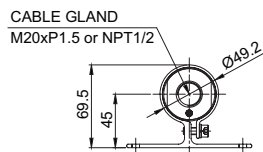
QLEX-NEC-250 Explosion Proof LED Work Light

Optics Specifications	
Model	QLEX-NEC-250
Directions	Translucent
Light color	Cool daylight
Color temperature	6,000-7,000K
Efficacy(lm/W)	310Lux
Specifications	
Model	QLEX-NEC-250
Voltage	DC24V
Range for operation voltage	DC21.6V-26.4V
Power consumption	8.6W
Insulation resistance	Min. 100MΩ(500V DC mega ohm meter)
Withstanding voltage	DC:500V AC, 60Hz, 1minute
Protection rating	IP66/67
Materials	Side cover-AI, Lens-PC, Bracket-AI
Certifications	
Weight(Approx.)	0.50Kg

Technical Diagram

Units: mm

QLEX-NEC-250



Ordering Specification

QLEX-NEC	-	250	-	24	-	INTERTEK(NRTL)
[Model number]		[Product length]		[Voltage]		[Explosion-proof certification]
QLEX-NEC		250-250mm		24-DC24V		INTERTEK(NRTL) IECEX

Cautions in use

Contact structure of an explosion proof product must be a qualified part we provide. Please do not disassemble, assemble, modify or repair arbitrarily.