

SEA-TI Series



SEA-LR-TI



SEA-TI

PRODUCT SPECIFICATION

SEALR-TI | SEAL-TI
SEAS-TI | SEA-TI

Materials Lens-Tempered glass, filter-PC, Housing-Al, Protection cage-ST316L, Reflector-PC, Reflector-Heat resistant ABS

Ambient operating temperature

-40°C ≤ Tamb ≤ +60°C

Explosion protection rating

IECEX - Ex db IIC T6 Gb, IP66

ATEX - Ex II 2G Ex db IIC T6 Gb, IP66

Certificates IECEX, ATEX

Housing standard color MUNSELL No. 7.5BG 7/2

Cable Entry 1/2" NPT

- Large explosion proof warning/ signal lights with excellent visibility for long distance
- Telephone Initiated Signal beacon triggers built-in alarm sound that is activated by 25Hz Telephone Ring Signal
- Highly noticeable Telephone alarm in noisy environment
- Telephone line(2 LINE) is connected to PSTN telephone line
- A variety of light source selections from bulb, LED, and xenon lamp
- Aluminum housing provides excellent durability
- Fully enclosed structure with protection rating of IP66
- Integrated housing and terminal box model
- Rated power when telephone lines are not in use: 45VDC - 55VDC
- Rated power when telephone rings : 95VDC - 130VDC

SEALR-TI LED Revolving Warning Light

Model number	Voltage	Current	Certificates	Weight	Color
SEALR-TI	DC24V	0.150A	IECEX	5.33kg	● R-Red
	AC110V	0.110A		5.74kg	● A-Amber
	AC230V	0.070A	ATEX	5.74kg	● G-Green ● B-Blue

- Excellent omni-directional visibility with LED light collecting system and special multifaceted reflector
- Revolving speed: 120-140RPM

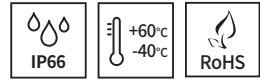
SEAL-TI LED Steady/Flashing Signal Light

Model number	Voltage	Current	Certificates	Weight	Color
SEAL-TI	DC24V	0.140A	IECEX	4.87kg	● R-Red
	AC110V	0.110A		5.25kg	● A-Amber
	AC230V	0.070A	ATEX	5.25kg	● G-Green ● B-Blue

- Long-lasting high intensity LED light source, Suitable for applications where bulb replacement is hard
- Built-in steady/flashing selection switch
- Flashing rate: 60-80 flashes/min

Customization

- Explosion proof cable gland attached type available (Standard type does not come with explosion proof cable gland)
- 2 ways cable entry
- Customized cable entry (3/4" NPT, M20×1.5, M25×1.5) available



SEAS-TI Xenon Lamp Strobe Signal Light

Model number	Voltage	Current	Bulb			Certificates	Weight	Color
			Spec	Standard	Parts no			
SEAS-TI	DC24V	0.380A	200V -550V	EUB0641 -1A(G) U type	48	IECEX ATEX	5.39kg	● R-Red
	AC110V	0.170A					5.35kg	● A-Amber
	AC230V	0.110A					5.35kg	● G-Green ● B-Blue

- Lamp connector fastening structure allows for convenient lamp replacement
- Excellent long-distance visibility with strong strobe signal diffusion
- Flashing rate: 60-80 flashes/min



SEAS-TI

SEA-TI Bulb Revolving Warning Light

Model number	Voltage	Current	Bulb			Certificates	Weight	Color
			Spec	Standard	Parts no			
SEA-TI	DC24V	0.720A	24V15W	G23 15S	18	IECEX ATEX	5.36kg	● R-Red
	AC110V	0.170A	12V15W	G23 15S	17		5.75kg	● A-Amber
	AC230V	0.110A	12V15W	G23 15S	17		5.75kg	● G-Green ● B-Blue

- Excellent diffusion effect with special multifaceted reflector
- Revolving speed: 120-140RPM

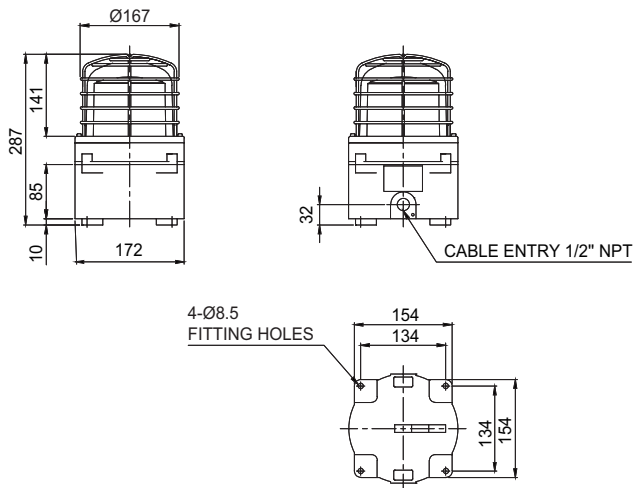


SEA-TI

Technical Diagram

Units: mm

· SEALR-TI / SEAL-TI / SEAS-TI / SEA-TI



Ordering Specification

SEA	230	R	TI
[Model number]	[Voltage]	[Color]	[Telephone Initiated]
SEALR	24-DC24V	● R-Red	TI-Telephone Initiated
SEAL	110-AC110V	● A-Amber	
SEAS	230-AC230V	● G-Green	
SEA		● B-Blue	