

# SESA-TI Series

Explosion proof warning light and electric horn combinations



SESALR-TI



SESAL-TI

## PRODUCT SPECIFICATION

SESALR-TI | SESAL-TI  
SESAS-TI | SESA-TI

**Materials** Lens-Tempered glass, Filter-PC, Housing-Al, Protection cage-ST5316L, Reflector-PC, Reflector-Heat resistant ABS

**Ambient operating temperature**

-40°C ≤ Tamb ≤ +60°C

**Explosion protection rating**

IECEX - Ex db IIC T6 Gb, IP66

ATEX - Ex II 2G Ex db IIC T6 Gb, IP66

**Sound volume** Max 118dB at 1m(Volume adjustable)

**Housing standard color** MUNSSELL No. 7.5BG 7/2

**Compliant with RoHS directive**

- Large explosion proof warning light and electric horn combinations
- Telephone Initiated Signal beacon triggers built-in alarm sound that is activated by 25Hz Telephone Ring Signal
- Highly noticeable Telephone alarm in noisy environment
- Telephone line(2 LINE) is connected to PSTN telephone line
- A variety of light sources and sound selections to fit your sophisticated application needs
- Aluminum housing provides excellent durability
- Fully enclosed structure with protection rating of IP66
- Integrated housing and terminal box model
- Rated power when telephone lines are not in use: 45VDC - 55VDC
- Rated power when telephone rings : 95VDC - 130VDC

### SESALR-TI LED Revolving Warning Light & Electric Horn Combination

Model number	Voltage	Current	Sound Pattern and Volume	Certificates	Weight	Color
SESALR-TI	DC24V	1.190A	·WS-5 Warning sounds: Max.118dB ·WP-5 Special warning sounds: Max.118dB	IECEX	8.31kg	● R-Red
	AC110V	0.300A	·WM-5 Melodies: Max.118dB ·WA-5 Alarms: Max.116dB		7.92kg	● A-Amber ● G-Green
	AC230V	0.180A	·WV-5 Customizable voices: 110-115dB	ATEX	7.92kg	● B-Blue

- Excellent omni-directional visibility with LED light collecting system and special multifaceted reflector
- Revolving speed: 120-140RPM

### SESAL-TI LED Steady/ Flashing Signal Light and Electric Horn Combination

Model number	Voltage	Current	Sound Pattern and Volume	Certificates	Weight	Color
SESAL-TI	DC24V	1.130A	·WS-5 Warning sounds: Max.118dB ·WP-5 Special warning sounds: Max.118dB	IECEX	8.42kg	● R-Red
	AC110V	0.270A	·WM-5 Melodies: Max.118dB ·WA-5 Alarms: Max.116dB		9.02kg	● A-Amber ● G-Green
	AC230V	0.170A	·WV-5 Customizable voices: 110-115dB	ATEX	9.02kg	● B-Blue

- Long-lasting high intensity LED light source, Suitable for applications where bulb replacement is hard
- Flashing rate: 60-80 flashes/min(Built-in steady/flashing selection switch)

※ Max. built-in volume feature is based on WS/WP-Ch1/WM-Ch5/WA-Ch5.

※ In case of customized WV 5 tone type, there may be difference of volume depending on user's audio file type.



## SESAS-TI Xenon Lamp Strobe Signal Light and Electric Horn Combination

Model number	Voltage	Current	Bulb			Certificates	Weight	Color	Color
			Spec	Standard	Parts no				
SESAS-TI	DC24V	1.300A	EUB0641 200V -1A(G) -550V U type	48	·WS-5 Warning sounds : Max.118dB ·WP-5 Special warning sounds: Max.118dB ·WM-5 Melodies : Max.118dB ·WA-5 Alarms: Max.116dB ·WV-5 Customizable voices : 110-115dB	IECEx ATEX	8.45kg	R-Red	
	AC110V	0.320A					8.86kg	A-Amber	
	AC230V	0.200A					8.86kg	G-Green B-Blue	

- Lamp connector fastening structure allows for convenient lamp replacement
- Excellent long-distance visibility with strong strobe signal diffusion
- Flashing rate: 60-80 flashes/min



SESAS-TI

## SESA-TI Bulb Revolving Warning light and Electric Horn Combination

Model number	Voltage	Current	Bulb			Certificates	Weight	Color	Color
			Spec	Standard	Parts no				
SESA-TI	DC24V	1.640A	24V15W	G23 15S	18	IECEx ATEX	8.57kg	R-Red	
	AC110V	0.320A	12V15W	G23 15S	17		9.27kg	A-Amber	
	AC230V	0.200A	12V15W	G23 15S	17		9.27kg	G-Green B-Blue	

- Excellent diffusion effect with special multifaceted reflector
- Revolving speed: 120-140RPM
- ※ Max. built-in volume feature is based on WS/WP-Ch1/WM-Ch5/WA-Ch5.
- ※ In case of customized WV 5 tone type, there may be difference of volume depending on user's audio file type.

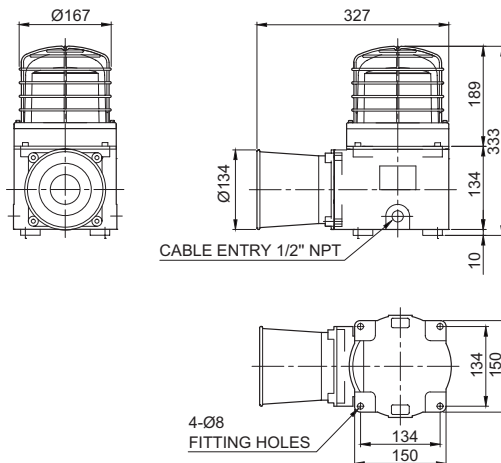


SESA-TI

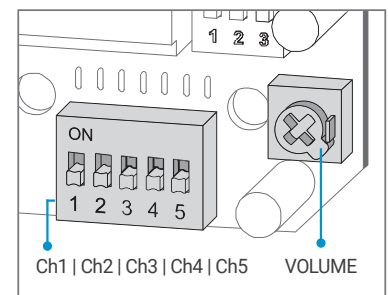
### Technical Diagram

Units: mm

· SESALR-TI / SESAL-TI / SESAS-TI / SESA-TI



- Standard Type: Select sound using the switch inside of the unit. When you turn on the dip switch for each channel, the designated sound will be played.



### Ordering Specification

<b>SESAS</b>	-	<b>WS</b>	-	<b>230</b>	-	<b>R</b>	-	<b>TI</b>
[Model number]		[Sound]		[Voltage]		[Color]		[Telephone Initiated]
SESALR		WS-Warning sounds		24-DC24V		R-Red		TI-Telephone Initiated
SESAL		WP-Special warning sounds		110-AC110V		A-Amber		
SESAS		WM-Melodies		230-AC230V		G-Green		
SESA		WA-Alarms				B-Blue		
		WV-Customizable voices						

### Customization

- Explosion proof cable gland attached type available (Standard type does not come with explosion proof cable gland)
- 2 ways cable entry
- Customized cable entry (3/4" NPT, M20×1.5, M25×1.5) available