

# SNE-TI Series



SNELR-TI



SNEL-TI

## PRODUCT SPECIFICATION

SNELR-TI | SNEL-TI  
SNE-S-TI | SNE-TI

**Materials** Lens-Tempered glass, filter-PC, Housing-Al, Protection cage-ST316L, Reflector-PC, Reflector-Heat resistant ABS

**Ambient operating temperature**

-40°C ≤ Tamb ≤ +60°C

**Explosion protection rating**

IECEX - Ex db IIC T6 Gb,  
Ex db op is IIC T6 Gb, IP66  
ATEX - Ⓔ II 2G Ex db IIC T6 Gb  
Ⓔ II 2G Ex db op is IIC T6 Gb, IP66



**Certificates** IECEX, ATEX

**Housing standard color** MUNSELL No. 7.5BG 7/2

**Cable Entry** 1/2" NPT



- Light weight and compact explosion proof warning lights with a variety of light source selections from bulb, LED, and xenon lamp
- Telephone Initiated Signal beacon triggers built-in alarm sound that is activated by 25Hz Telephone Ring Signal
- Highly noticeable Telephone alarm in noisy environment
- Telephone line(2 LINE) is connected to PSTN telephone line
- A variety of light source selections from bulb, LED, and xenon lamp
- Aluminum housing provides excellent durability
- Fully enclosed structure with protection rating of IP66
- Integrated housing and terminal box model
- Rated power when telephone lines are not in use: 45VDC - 55VDC
- Rated power when telephone rings : 95VDC - 130VDC

### SNELR-TI LED Revolving Warning Light

Model number	Voltage	Current	Certificates	Weight	Color
SNELR-TI	DC12V	0.210A		3.15kg	<ul style="list-style-type: none"> <li><span style="color: red;">●</span> R-Red</li> <li><span style="color: yellow;">●</span> A-Amber</li> <li><span style="color: green;">●</span> G-Green</li> <li><span style="color: blue;">●</span> B-Blue</li> </ul>
	DC24V	0.150A		3.15kg	
	AC110V	0.110A		3.85kg	
	AC230V	0.070A		3.85kg	

- Excellent omni-directional visibility with LED light collecting system and special multifaceted reflector
- Revolving speed: 120-140RPM

### SNEL-TI LED Steady/Flashing Signal Light

Model number	Voltage	Current	Certificates	Weight	Color
SNEL-TI	DC12V	0.130A		3.65kg	<ul style="list-style-type: none"> <li><span style="color: red;">●</span> R-Red</li> <li><span style="color: yellow;">●</span> A-Amber</li> <li><span style="color: green;">●</span> G-Green</li> <li><span style="color: blue;">●</span> B-Blue</li> </ul>
	DC24V	0.120A		3.65kg	
	AC110V	0.110A		4.30kg	
	AC230V	0.070A		4.30kg	

- Long-lasting high intensity LED light source, Suitable for applications where bulb replacement is hard
- Built-in steady/flashing selection switch
- Flashing rate: 60-80 flashes/min

### SNE-S-TI Xenon Lamp Strobe Signal Light

Model number	Voltage	Current	Bulb			Certificates	Weight	Color
			Spec	Standard	Parts no			
SNE-S-TI	DC12V	0.430A	200V -550V	EUB0641 -1A(G) U type	48	IECEX ATEX	3.60kg	● R-Red
	DC24V	0.230A					3.60kg	● A-Amber
	AC110V	0.120A					4.25kg	● G-Green
	AC230V	0.080A					4.25kg	● B-Blue

- Lamp connector fastening structure allows for convenient lamp replacement
- Excellent long-distance visibility with strong strobe signal diffusion
- Flashing rate: 60-80 flashes/min



SNE-S-TI

### SNE-TI Bulb Revolving Warning Light

Model number	Voltage	Current	Bulb			Certificates	Weight	Color
			Spec	Standard	Parts no			
SNE-TI	DC12V	1.430A	12V15W	G23 15S	17	IECEX ATEX	3.25kg	● R-Red
	DC24V	0.720A	24V15W	G23 15S	18		3.25kg	● A-Amber
	AC110V	0.180A	12V15W	G23 15S	17		3.95kg	● G-Green
	AC230V	0.110A	12V15W	G23 15S	17		3.95kg	● B-Blue

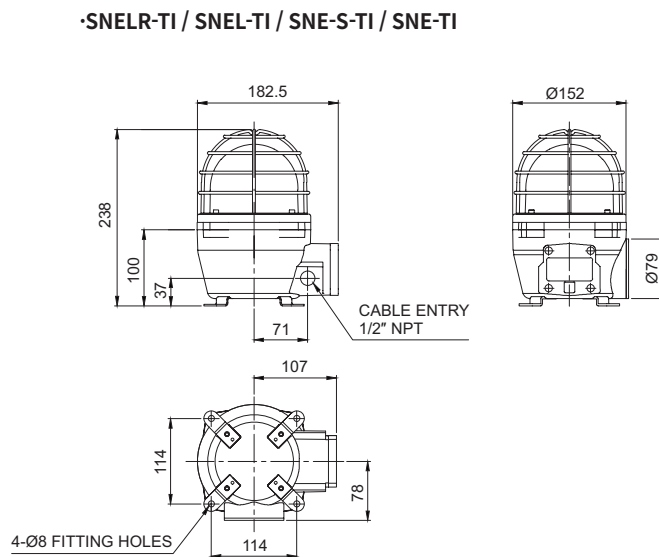
- Excellent diffusion effect with special multifaceted reflector
- Revolving speed: 120-140RPM



SNE-TI

### Technical Diagram

Units: mm



### Ordering Specification

<b>SNE</b>	-	<b>230</b>	-	<b>R</b>	-	<b>TI</b>
[Model number]   SNELR SNEL SNE-S SNE		[Voltage]   12-DC12V 24-DC24V 110-AC110V 230-AC230V		[Color]   ● R-Red ● A-Amber ● G-Green ● B-Blue		[Telephone Initiated]   TI-Telephone Initiated

### Customization

- Explosion proof cable gland attached type available (Standard type does not come with explosion proof cable gland)
- 2 ways cable entry
- M20x1.5 cable entry