

SNES-S-TI



SNES-S

PRODUCT SPECIFICATION

SNES-S-TI

Materials Lens-Tempered glass, filter-PC, Housing-Al, Protection cage-STS316L

Ambient operating temperature

-40°C ≤ Tamb ≤ +60°C

Sound volume Max 118dB at 1m(Volume adjustable)

Explosion protection rating

IECEX - Ex db IIC T6 Gb,

Ex db op is IIC T6 Gb, IP66

ATEX - Ex II 2G Ex db IIC T6 Gb

Ex II 2G Ex db op is IIC T6 Gb, IP66

Certificates IECEX, ATEX

Housing standard color MUNSELL No. 7.5BG 7/2

Cable Entry 1/2" NPT

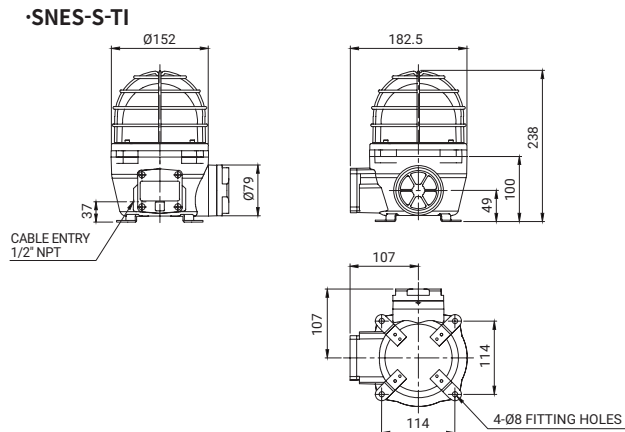
- Light weight and compact explosion proof warning lights with a siren buzzer
- Telephone Initiated Signal beacon triggers built-in alarm sound that is activated by 25Hz Telephone Ring Signal
- Highly noticeable Telephone alarm in noisy environment
- Telephone line(2 LINE) is connected to PSTN telephone line
- Aluminum housing provides excellent durability
- Fully enclosed structure with protection rating of IP66
- Integrated housing and terminal box model
- Rated power when telephone lines are not in use: 45VDC - 55VDC
- Rated power when telephone rings: 95VDC - 130VDC

SNES-S-TI Xenon Strobe Signal Light with Siren Buzzer

Model number	Voltage	Current	Bulb			Certificates	Weight	Color	Color
			Spec	Standard	Parts no				
SNES-S-TI	DC12V	0.630A	200V -550V	EUB0641 -1A(G) U type	48	Warning sounds (Buzzer) : 105dB	 	3.60kg	● R-Red
	DC24V	0.480A						3.60kg	● A-Amber
	AC110V	0.160A						4.25kg	● G-Green
	AC230V	0.100A						4.25kg	● B-Blue

Technical Diagram

Units: mm



Customization

- Explosion proof cable gland attached type available (Standard type does not come with explosion proof cable gland)
- 2 ways cable entry
- M20x1.5 cable entry

Ordering Specification

SNES-S	-	230	-	R	-	TI
[Model number]		[Voltage]		[Color]		[Telephone Initiated]
SNES-S		12-DC12V 24-DC24V 110-AC110V 230-AC220V		● R-Red ● A-Amber ● G-Green ● B-Blue		TI-Telephone Initiated