

# Explosion Proof Electric Horn(Telephone Initiated)

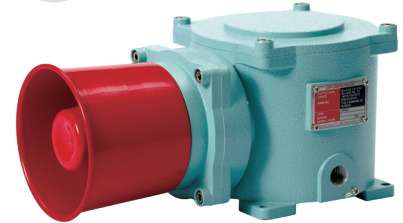
## SPNA-TI



### PRODUCT SPECIFICATION

SPNA-TI

**Materials** Housing-Al, Horn housing-STS316L  
**Ambient operating temperature**  
 $-40^{\circ}\text{C} \leq T_{\text{amb}} \leq +60^{\circ}\text{C}$   
**Sound volume** Max 118dB at 1m(Volume adjustable)  
**Explosion protection rating**  
 IECEX - Ex d II C T6 Gb, IP66  
 ATEX - EX II 2G Ex d II C T6 Gb, IP66  
**Certificates** IECEX, ATEX  
**Housing standard color** MUNSSELL No. 7.5BG 7/2  
**Cable Entry** 1/2" NPT



SPNA-TI

- Explosion proof electric horn
- Telephone Initiated Signal beacon triggers built-in alarm sound that is activated by 25Hz Telephone Ring Signal
- Highly noticeable Telephone alarm in noisy environment
- Telephone line(2 LINE) is connected to PSTN telephone line
- Various sound tones can be selected : warning sound, alarm, melody
- Aluminum housing provides excellent durability
- Rated power when telephone lines are not in use: 45VDC - 55VDC
- Rated power when telephone rings : 95VDC - 130VDC

### SPNA-TI Explosion Proof Electric Horn, Max. 118dB

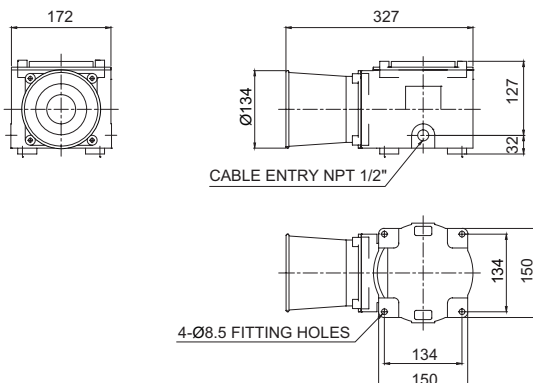
Model number	Voltage	Current	Sound Pattern and Volume	Certificates	Weight
SPNA-TI	DC24V	0.950A	·WS-5 Warning sounds: Max.118dB ·WP-5 Special warning sounds : Max.118dB	IECEX	6.09kg
	AC110V	0.220A	·WM-5 Melodies: Max.118dB ·WA-5 Alarms: Max.116dB		ATEX
	AC230V	0.130A	·WV-5 Customizable voices: 110-115dB	6.44kg	

- ※ Please refer to [Sound tone and combination for standard product] on this catalogue for detailed sound tone specification
- ※ Max. built-in volume feature is based on WS/WP-Ch1/WM-Ch5/WA-Ch5.
- ※ In case of customized WV 5 tone type, there may be difference of volume depending on user's audio file type.

### Technical Diagram

Units: mm

·SPNA-TI

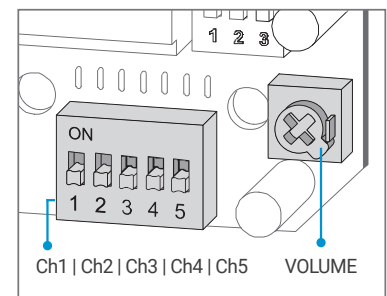


### Ordering Specification

SPNA	-	WM	-	230	-	LC	-	TI
[Model number]   SPNA		[Sound]   WS-Warning sounds WP-Special warning sounds WM-Melodies WA-Alarms WV-Customizable voices		[Voltage]   24-DC24V 110-AC110V 230-AC220V		[sound selection]   (Blank)-Standard type LC Type-Uses external contact		[Telephone Initiated]   TI-Telephone Initiated

### Sound Selection Instructions and Wiring

- Standard Type: Select sound using the switch inside the unit. When you turn on the dip switch for each channel, the designated sound will be played.



- Customization : External contact(LC)  
 In case of select sound between external contact and transistors, sound line is threading as customization when product released(LC).

### Customization

- Explosion proof cable gland attached type available (Standard type does not come with explosion proof cable gland)
- 2 ways cable entry
- Customized cable entry (3/4" NPT, M20×1.5, M25×1.5) available