

QCML-7C

Waterproof LED Light Bars for
Multi-use with Protection of IP67/ IP69K



Waterproof LED light bar with 7 color configurations

Common Specifications

- Save installation cost and space by utilizing this single LED light bar with 7 configurable colors
- Side cover and lens is integrated together with a multi silicon rubber sealing structure for superior protection from water
- Aesthetically pleasing with slim and compact housing
- Polycarbonate material provides superior heat and shock resistance
- Features great seal and durability in food processing, pharmaceutical, and beverage processing machine that needs high temperature wash down
- Detachable mounting bracket structure enables to adjust mounting hole space freely
- Protection rating : IP67, IP69K
- Can customize the product with the M12 connector if requested
- Certificates : CE Compliant, UL Listed



Optics Specifications

Model	QCML-200-7C	QCML-300-7C	QCML-400-7C	QCML-500-7C	QCML-600-7C	QCML-900-7C	QCML-1200-7C	QCML-1500-7C
Lens color	Translucent							
Light color/ Color temperature	Red	618-635 nm						
	Green	510-530 nm						
	Blue	453-465 nm						
	Amber	563-573 nm						
	Violet	478-488 nm						
	Cian	375-385 nm						
	White	470-480 nm						

Specifications

Model	QCML-200-7C	QCML-300-7C	QCML-400-7C	QCML-500-7C	QCML-600-7C	QCML-900-7C	QCML-1200-7C	QCML-1500-7C
Voltage	DC24V							
Range for operation voltage	DC21V-30V							
Power consumption	4.7W	5.6W	9.4W	10.3W	11.4W	17.0W	22.2W	28.0W
Insulation resistance	Min. 100MΩ(500V DC mega ohm meter)							
Withstanding voltage	DC : 500V AC, 60Hz, 1 minute							
Operating temperature	-30°C to +50°C							
Protection rating	IP67/ IP69K							
Materials	Lens : PC, Side cover : PC, Heat sink : Al, Bracket : PC							
Certificate	CE DC24V only DC24V only							
Weight(Approx.)	0.16kg	0.20kg	0.26kg	0.33kg	0.40kg	0.56kg	0.76kg	0.94kg

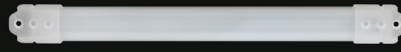
QCML-7C

Waterproof LED Light Bars for Multi-use with Protection of IP67/ IP69K

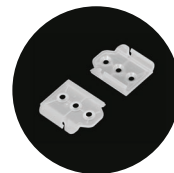
Mounting Structure



Example for mounting outside



Example for mounting inside



- ※ Adopts removable mounting bracket and sliding structure, adjustable mounting distance.
- ※ mounting bracket is arranged on edge or middle of body, in case of edge of body, mounting bracket space is kept.

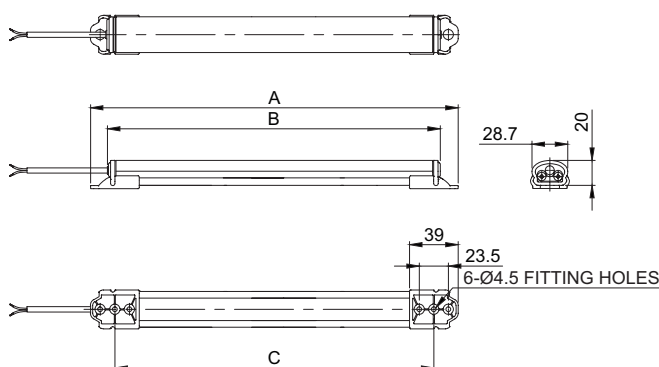


- ※ Cable end M12 connector attached type
- Customized Cable end M12 connector attached type available.

Technical Diagram

(Units : mm)

QCML-200/300/400/500/600/900/1200/1500-7C

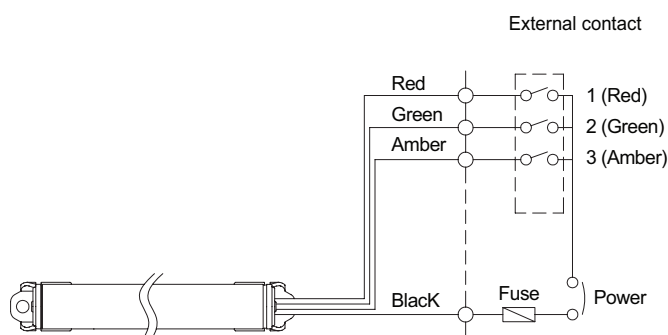


MODEL	A	B	C	D
QCML-200-7C	262	228	45~217	2
QCML-300-7C	362	328	45~317	2
QCML-400-7C	462	428	45~417	2
QCML-500-7C	562	528	45~517	2
QCML-600-7C	662	628	45~617	2
QCML-900-7C	962	928	45~917	3
QCML-1200-7C	1262	1228	45~1217	4
QCML-1500-7C	1562	1528	45~1517	4

※ D : Recommended quantity of mounting brackets

※ External power line - Dura & Flex-F VU(0.3sqX4C) 450mm

Wiring Instructions



Wiring Configuration for Signal Color

No.	Color	Wiring
1	RED	1(RED)
2	GREEN	2(GREEN)
3	BLUE	3(AMBER)
4	AMBER	1(RED)+2(GREEN)
5	PURPLE	1(RED)+3(AMBER)
6	CYAN	2(GREEN)+3(AMBER)
7	WHITE	1(RED)+2(GREEN)+3(AMBER)

Ordering Specification

QCML	300	7C	24
[Model number]	[Product length]	[Light color]	[Voltage]
• QCML	• 200 - 228mm • 300 - 328mm • 400 - 428mm • 500 - 528mm	• 7C - 7 Color standard	• 24-DC24V
	• 600 - 628mm • 900 - 928mm • 1,200 - 1,228mm • 1,500 - 1,528mm		