

Waterproof LED Light Bars for Multi-use with Protection of IP67/IP69K

QCML-3C

Waterproof LED light bar with 3 color configurations



QCML-3C

PRODUCT SPECIFICATION

QCML-7C

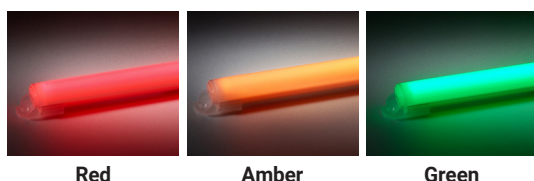
Materials Lens-PC, Side cover-PC, sink-ST5, Bracket-PC

Ambient operating temperature -20°C - +50°C

Protection rating IP67/IP69K

Certificates CE

- Save installation cost and space by utilizing this single LED light bar with 3 configurable colors
- Side cover and lens is integrated together with a multi silicon rubber sealing structure for superior protection from water
- Aesthetically pleasing with slim and compact housing
- Polycarbonate material provides superior heat and shock resistance
- Features great seal and durability in food processing, pharmaceutical, and beverage processing machine that needs high temperature wash down
- Detachable mounting bracket structure enables to adjust mounting hole space freely
- Protection rating : IP67, IP69K
- Standard model: Side cover cable outlet type (Protection rating: IP67, IP69K)
- Customization: Lens rear cable outlet type (Protection rating: Non-Waterproof)
- Side cover M12 connector outlet type (Protection rating: IP67, IP69K)



Red

Amber

Green

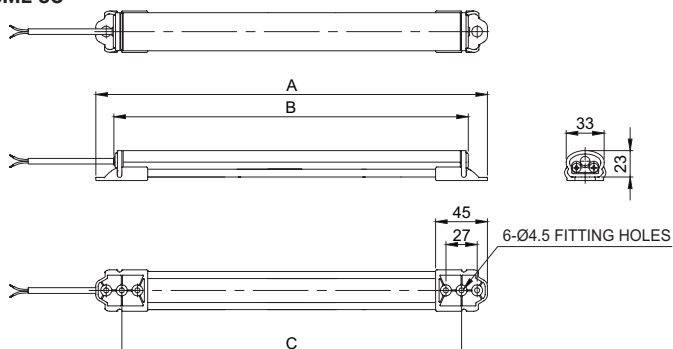
QCML-3C Waterproof LED Light Bars for Multi-use

Optics Specifications				
Model number	QCML-100-3C	QCML-200-3C	QCML-300-3C	QCML-400-3C
Directions	Translucent			
Light color/ Color temperature	Red	618-635 nm		
	Amber	590-595 nm		
	Green	510-530 nm		
Specifications				
Model number	QCML-100-3C	QCML-200-3C	QCML-300-3C	QCML-400-3C
Voltage	DC24V			
Range for operation voltage	DC21.6V-26.4V			
Power consumption	0.7W	1.5W	2.2W	2.9W
Insulation resistance	Min. 100MΩ(500V DC mega ohm meter)			
Withstanding voltage	DC: 500VAC, 60Hz, 1 minute			
Operating temperature	-20°C to +50°C			
Protection rating	IP67/IP69K			
Materials	Lens-PC, Side cover-PC, sink-ST5, Bracket-PC			
Certification	CE			
Weight(Approx.)	0.10kg	0.20kg	0.24kg	0.30kg

Technical Diagram

Units: mm

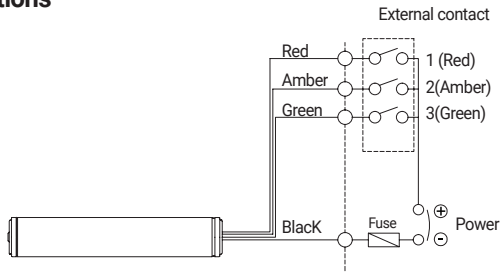
QCML-3C



MODEL	A	B	C
QCML-100-3C	157	123	45-112
QCML-200-3C	262	228	45-217
QCML-300-3C	362	328	45-317
QCML-400-3C	462	428	45-417

External power line Dura & Flex-F VU(0.3sqx4C) 450mm

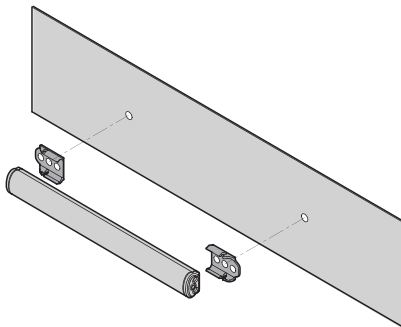
Wiring Instructions



Wiring Configuration for Signal Color

No.	Color	Wiring
1	RED	1 (RED)
2	AMBER	2 (AMBER)
3	GREEN	3 (GREEN)

Mounting Structure



- Adopts removable mounting bracket and sliding structure, adjustable mounting distance.
- mounting bracket is arranged on edge or middle of body, in case of edge of body, mounting bracket space is kept.

Example for mounting outside

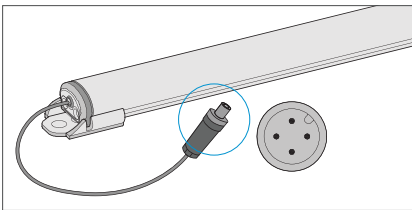


Example for mounting inside

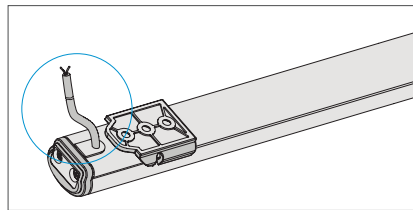


Customization

- M12 Connector Type: Cable inlet with M12 connector

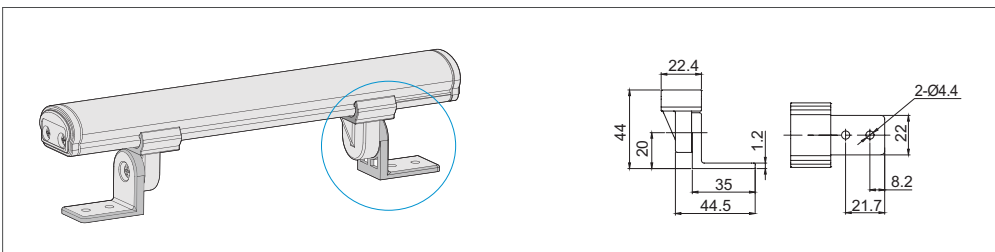


- Lens rear side cable outlet type : Customized model that is a lens rear side cable outlet type available.



(Cable hole specifications are different from standard model, so please inquire separately.)

- Foldable Bracket: Adjustable from 0 to 180 degrees



Ordering Specification

QCML	-	300	-	3C	-	24
[Model number]		[Product length]		[Light color]		[Voltage]
QCML		100-123mm 200-228mm 300-328mm 400-428mm		3C- 3 Color standard		24-DC24V