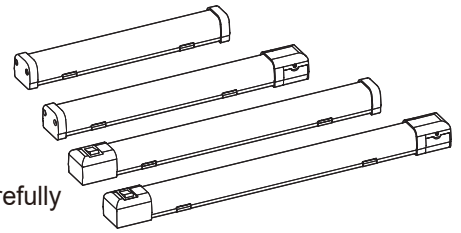


LED Light Bars for Distribution Panel

QEL/ QELT/ QELS/ QELTS



Thank you for purchasing Qlight's products. Please read this user manual carefully prior to installation and operation to ensure safe and correct use.

⚠ Precautions for Safety

Failure to follow the instructions below may cause a loss of life or serious physical injury.

1. During wiring or maintenance, please completely turn off the power of the product. (Failure to follow this may lead to an electric shock.)
2. Do not install the product in locations that subjects it to excessive dust or water other than the conditions designated by the IP protection ratings indicated for each product. (Failure to follow these instructions may cause a fire to the product, electric shock, physical injury, malfunction or damage to the product.)
3. Do not alter or repair this product. If maintenance or repair service is required, please contact your local Qlight contact point. (Failure to follow these instructions may lead to fire, electric shock, or product damage.)
4. Please apply the correct voltage to the product. (Failure to follow these instructions may lead to fire, electric shock, or product damage.)
5. When the product is applied to a condition that may impact lives or property, please make sure to have a double safety device. (Failure to follow this may cause damage to property, fire, electric shock and loss of life.)

⚠ Precautions for Correct Use

Failure to follow the proper instructions may cause damage to property, the product, or malfunction of the product that would void the warranty.

1. Please remove any objects that can interrupt ventilation around the product.
2. Please turn off the power of the product immediately if it fails to operate properly.
3. Carefully wire the product according to each product's specification.
4. Please be careful in preventing chemicals such as thinner, benzene, etc. in contact with the surface of the product.
5. Do not apply excessive force/impact to the product.
6. Failure to follow any of the instructions above may cause malfunction or damage to the product, fire, and electric shock.

Ordering Specifications

QEL	200	24
[Model number]	[Product length]	[Voltage]
• QEL - External power line • QELT - Terminal box • QELS - External power line with power switch • QELTS - Terminal box with power switch	• 200 - 200mm • 300 - 300mm • 400 - 400mm • 500 - 500mm	• 24 - DC24V • 110 - AC110V • 220 - AC220V



Please scan the QR code for more detailed product information.



www.qlight.com

Product Specifications

Optics Specifications

Lens color	QEL-200/ QELT-200 QELS-200/ QELTS-200	QEL-300/ QELT-300 QELS-300/ QELTS-300	QEL-400/ QELT-400 QELS-400/ QELTS-400	QEL-500/ QELT-500 QELS-500/ QELTS-500	
Lens color	Translucent	Translucent	Translucent	Translucent	
Light color (Standard)	Cool daylight				
Color temperature (Standard)	6,000-7,000K				
Luminous flux	DC	254lm	383lm	509lm	606lm
	AC	268lm	384lm	479lm	575lm
Illumination (at 1m)	DC	93Lux	105Lux	165Lux	200Lux
	AC	77Lux	100Lux	145Lux	188Lux

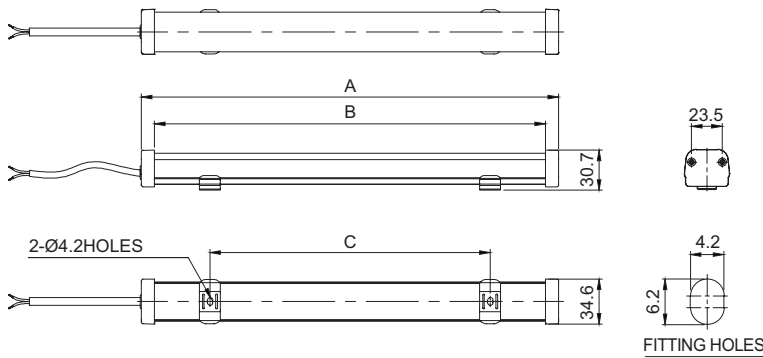
General Product Specifications

Model number	QEL-200/ QELT-200 QELS-200/ QELTS-200	QEL-300/ QELT-300 QELS-300/ QELTS-300	QEL-400/ QELT-400 QELS-400/ QELTS-400	QEL-500/ QELT-500 QELS-500/ QELTS-500
Rated voltage	DC24V	DC24V	DC24V	DC24V
	AC110V/ 220V	AC110V/ 220V	AC110V/ 220V	AC110V/ 220V
Range for operating voltage	DC21.5V-26.5V / AC98V-121V / AC198V-245V			
Power consumption	3.5W	5W	7W	9W
	3.0W / 3.5W	3.5W / 5.0W	4.5W / 6.5W	5W / 8.5W
Insulation resistance	Min. 100MΩ(500V DC mega ohm meter)			
Withstanding voltage	DC : 500V AC, 60Hz, 1 minute / AC : 1,500V AC, 60Hz, 1 minute			
Operating temperature	-30°C - +50°C			
Protection rating	Non waterproof			
Materials	Lens : PC, Side cover : ABS, Bracket : STS201			
Certificate	 DC24V/ AC220V only /  AC220V only(QEL/QELS)			
Weight(approx.)	0.08kg	0.10kg	0.13kg	0.15kg
	0.10kg	0.12kg	0.15kg	0.17kg

Dimensions

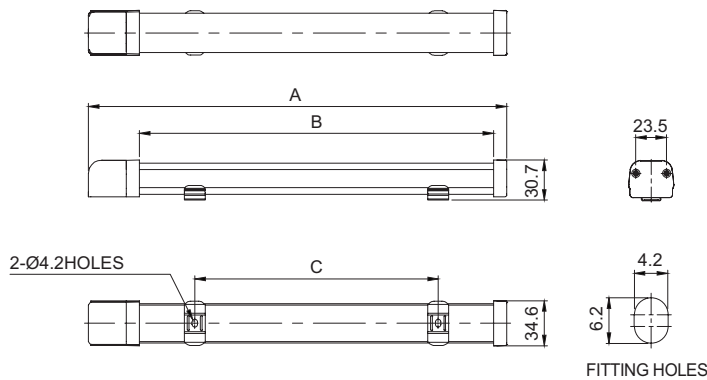
(Units : mm)

QEL



MODEL	A	B	C
QEL-200	220	200	16~170
QEL-300	320	300	16~270
QEL-400	420	400	16~370
QEL-500	520	500	16~470

QELT

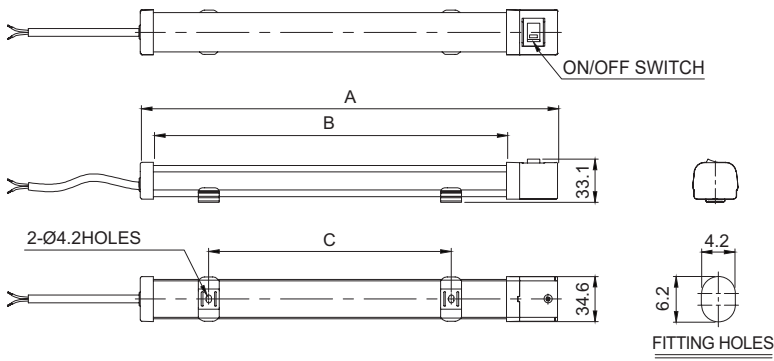


MODEL	A	B	C
QELT-200	249	200	16~170
QELT-300	349	300	16~270
QELT-400	449	400	16~370
QELT-500	549	500	16~470

Dimensions

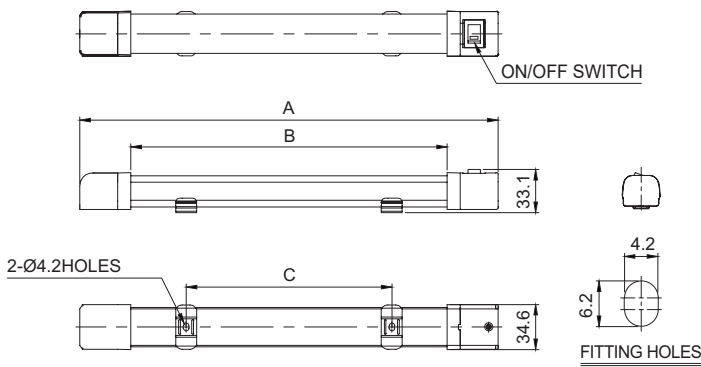
(Units : mm)

QELS



MODEL	A	B	C
QELS-200	249	200	16~170
QELS-300	349	300	16~270
QELS-400	449	400	16~370
QELS-500	549	500	16~470

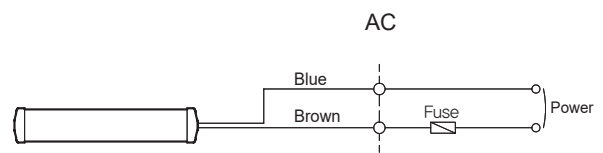
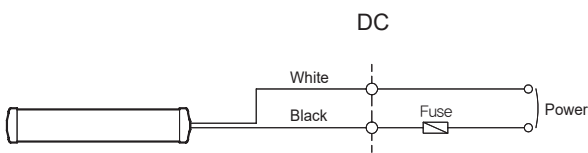
QELTS



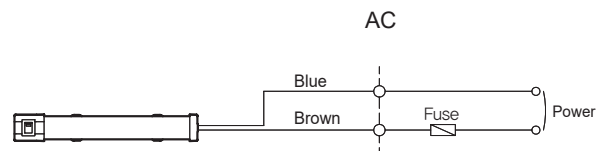
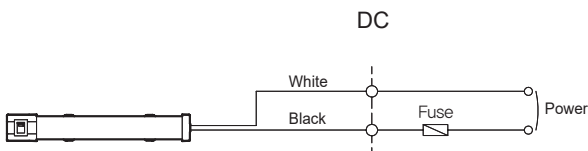
MODEL	A	B	C
QELTS-200	278	200	16~170
QELTS-300	378	300	16~270
QELTS-400	478	400	16~370
QELTS-500	578	500	16~470

Wiring Instructions

QEL

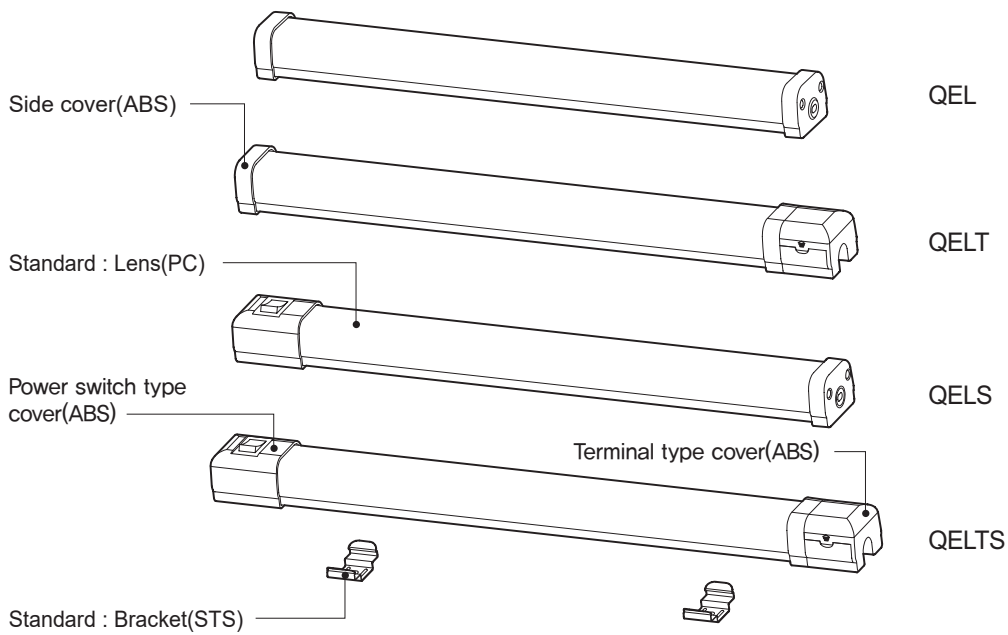


QELS



- DC type cable specification : External power line - UL2464 AWG22(0.3sq) x 2C 450mm
- AC type cable specification : External power line - VCTFK(0.75sq) x 2C 450mm
- This product can be wired regardless of polarity.
- For QELT and QELTS model, external power line is sold separately.

■ Parts Definition

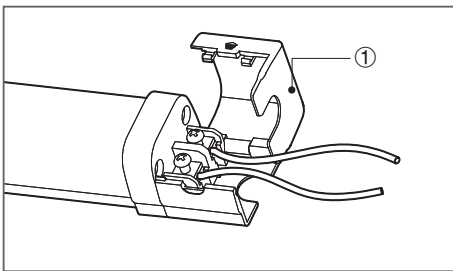


■ Bracket Adjustment

- Mounting brackets are removable with special sliding structure that allows easy adjustment of distance between the two mounting brackets.

■ Terminal Wiring (QELT, QELTS)

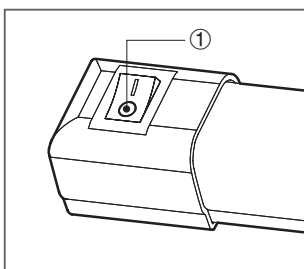
- QELT and QELTS models are wired according to the following instructions.



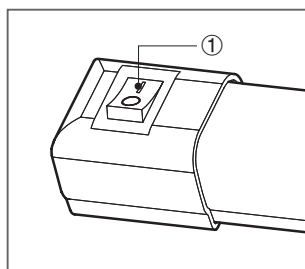
- 1) Lift open the terminal box cover ①
- 2) Loosen the bolts in the terminal box by rotating them in the CCW direction.
Connect the power lines to the terminals and then fasten the lines by rotating the bolts in the CW direction (Product can be wired regardless of polarity).
- 3) After the power lines have been connected, please close the terminal box cover ①.

■ Terminal Wiring (QELS, QELTS)

- QELT and QELTS models can be turned off when the switch "O" ① is pushed down and turned on when the switch "I" ① is pushed down.



Off

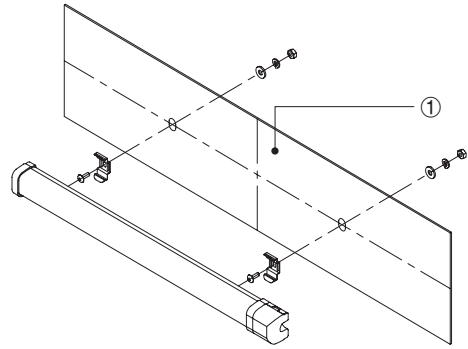


On

Installation/ Mounting Hole Specifications

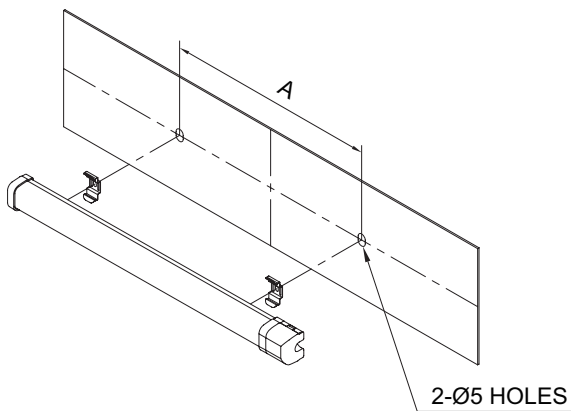
■ Installation

- First, machine taps or holes on the mounting surface ①.
- The mounting hole of this product is 4.2mm in diameter (long hole).
- When machining taps, fasten the bolt through the mounting hole of the product.
- When machining holes, insert the bolt through the hole of the product, and tighten the nut from the opposite side of the mounting surface.
(Install flat washer and spring washer when fastening bolt and nut.)
- To secure the product to brackets, place the products to brackets and push it lightly until it makes “clark” sound.



■ Mounting Hole Specifications

- Machine holes on the mounting surface referring to the diagram below.



MODEL	A
QEL/ QELT/ QELS/ QELTS-200	16~170
QEL/ QELT/ QELS/ QELTS-300	16~270
QEL/ QELT/ QELS/ QELTS-400	16~370
QEL/ QELT/ QELS/ QELTS-500	16~470

Installation Environment and Protection Rating

- This product is not waterproof.
- This product is designed for only indoor use.
- If the product is installed in locations that subject it to excessive dust or water other than the designated IP protection rating indicated, it may cause malfunction or damage to the product.
- For further information, please visit our website(www.qlight.com).

Technical Certification

- Qlight products are designed to meet strict quality and technical standards. Thus, the Qlight brand is widely recognized for its high quality and technical innovations from leading institutions around the world.



ISO International Organization for Standardization

Qlight quality assurance systems have been certified by ISO by applying the ISO 9001:2008, KS Q ISO 9001:2009 regulation.



IECEX International Explosion Proof Certification (IECEX)

Certified that Qlight's products are being manufactured and manage according to international standards.



ATEX The European Regulatory Framework or Manufacture, Installation and Use of Equipment in Explosive Atmospheres

Qlight's explosion proof products comply with ATEX Directives 94/9/EC.



NEPSI National Supervision and Inspection Center for Explosion Protection and Safety of Instrumentation

Qlight's design and manufacturing system meets the People's Republic of China National explosion proof Standard. (Chinese Standard-GB3836/GB12476)



KCs Explosion Proof Device Safety Certification System

The safety performance of machines and equipment subject to safety certification and Technical capability and production system have been certified safety certification standards.



TIIS Japan Explosion-proof Certification

TIIS is a Japanese explosion proof test and certification system accordance with the Ministry of Health, Labour and Welfare Notice and the explosion proof guidelines for factory electrical equipment. Qlight's explosion proof products have been tested and certified by TIIS.



CCS China Classification Society

Qlight's design and quality assurance system has been certified by the China Classification Society.



RMRS Russian Maritime Register of Shipping

Qlight's design and quality assurance system has been certified from Russian Maritime Register of Shipping.



LR Lloyd's Register

Qlight's design and quality assurance system has been certified from Lloyd's Register.



KR Korean Register of Shipping

Qlight's design and quality assurance system has been certified by the Korean Register of Shipping.



KC Korea Safety Certification

Qlight's products are certified by KC for preventing accident caused by fire.



E-mark Commission Directive Regarding Vehicle Industry

Qlight has obtained EU mark for approved vehicles and vehicle components sold into the EU (EEA : European Economic Area)



ICAO International Civil Aviation Organization

Qlight guarantees our products satisfy the criteria regulated by the International Civil Aviation Organization (ICAO, FAA).



KCC Conformity Assessment of Broadcasting Communication Equipment

Qlight has been certified to protect the electromagnetic environment that causes unwanted electromagnetic waves from the device, communication failure due to other devices or external radio waves, and malfunction of the device.



UL Underwriters Laboratories

Qlight's design and quality assurance system has been certified from UL to ensure the stability of consumption goods and to protect consumers.



CCCF China Certification Center for Security & Protection

Qlight has passed the rigorous examination process of "Passing Fire Protection Products Centering" in order to sell fire-fighting products such as fire alarm equipment to Chinese market.



CCC China Compulsory Certificate

Qlight's has obtained CCC which guarantees safety, protection against fraud, environment, etc.



CE European Commission

Qlight has been certified by the European Commission.



RoHS2 Restriction of Hazardous Substances Directive

Qlight complies with the Restriction of Hazardous Substances Directive by limiting its use of hazardous materials.



For your safety

Specification and dimensions listed in this catalogue subject to change without notice for product quality improvement.
The newest product information is available on our website.(www.qlight.com)
Please read the instruction manual attached to the product carefully before installation and use.

Qlight Co., Ltd. www.qlight.com | trade@qlight.com

Head Office | Suite #1510, STX-V Tower, 128 Gasan digital 1-ro, Geumcheon-gu, Seoul, Korea

Tel. +82-2-2679-6152(Toll free. +82-80-328-2222) Fax. +82-2-2679-6154

Factory | 185-25, Mukbang-ro, Sangdong-myeon, Gimhae-si, Gyeongsangnamdo, Korea Tel. +82-55-328-1111(Toll free. +82-80-328-1111)

Qlight OverSEAs Sales Dept | 704 Nakdong-daero, Sasang-gu, Busan, Korea(Eomgung-Dong) Tel : +82-51-620-4100

Qlight Public Relations & Marketing Team Office | 704 Nakdong-daero, Sasang-gu, Busan, Korea(Eomgung-Dong) Tel. +82-51-245-0017

Qlight USA, Inc. www.qlight.com www.qlightusa.com | sales@qlightusa.com

3003 North First Street, Suite #341, San Jose, CA 95134 USA Tel. +1-408-519-5740 Fax. +1-408-519-5739

SHANGHAI Qlight Electronic Co., Ltd. www.qlight.com www.qlightcn.com | qlightcn@qlight.com

China Factory/ Shanghai Sales Office | #19, Nanda Road, Baoshan Area, Shanghai, China Tel. +86-21-6651-7100 Fax. +86-21-6315-3929

China Factory Site 2 (Qidong) | #33, Haiyan Road, Qidong High-tech Industrial Development Zone, Qidong, Jiangsu Province, China

Tel +86-513-8384-9999 Fax +86-513-8384-9910

Qlightec

Innovation in Alarm & Signal

Product Operation Inquiry / Customer Support +82-51-620-4100

You can expect prompt service if you have exact information such as model name, symptom, telephone number and address.

※ ALL PRODUCT, PRODUCT SPECIFICATIONS AND DATA ARE SUBJECT TO CHANGE WITHOUT NOTICE TO IMPROVE RELIABILITY, FUNCTION OR DESIGN OR OTHERWISE.

Head office : Suite #1510, STX-V Tower, 128 Gasan digital 1-ro, Geumcheon-gu, Seoul, Korea (Postal Code : 08507)

Factory : 185-25, Mukbang-Ro, Sangdong-Myeon, Gimhae-Si, Gyeongsangnam-Do, Korea (Postal Code : 50805)

www.qlight.com

EN - QEL-200 - 2106A