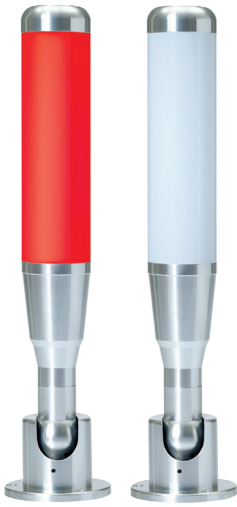


ETAR50MCL



ETAR50MCL

PRODUCT SPECIFICATION

ETAR50MCL

Materials Housing-Al, Lens-PC
Ambient operating temperature -25°C to +55°C
Volume Max. 85dB at 1m
Protection rating IP20

- Pole-mounted economical product adopting high-brightness LED as a light source
- It is easy to identify signal light by expressing red, yellow, and green in one stage
- A soft and cozy signal light is emitted through the milky translucent lens
- Excellent durability by using aluminum housing
- Equipped with a foldable bracket to respond to various external environments
- Buzzer type can be selected for lighting or blinking specifications

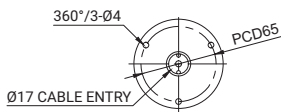
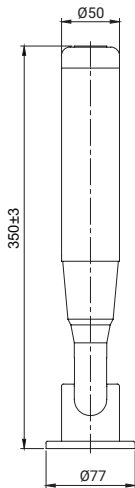
ETAR50MCL Industrial LED beacon

Model number	Voltage	Current	Certificates	Weight	Color
ETAR50MCL Steady					
ETAR50MCL-BZ Steady w/built-in buzzer	DC24V	0.085A	-	0.55kg	● R-Red ● A-Amber ● G-Green
ETAR50MCLF Flashing					
ETAR50MCLF-BZ Flashing w/built-in buzzer					

Technical Diagram

Units: mm

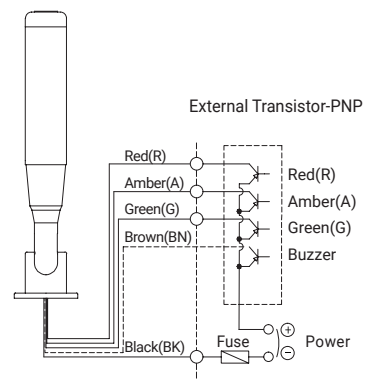
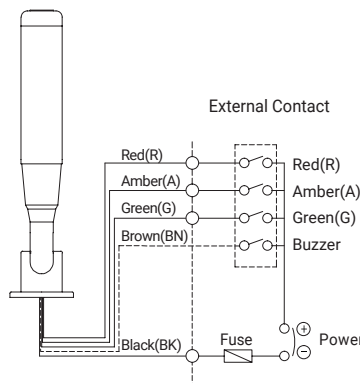
- ETAR50MCL / ETAR50MCL-BZ
- ETAR50MCLF / ETAR50MCLF-BZ



Wiring Instructions

- ETAR50MCL series can be wired by using both external contact and transistor.
- Wiring to transistor, use the PNP transis- tor. Please wire properly based on wiring instructions.

- ETAR50MCL / ETAR50MCL-BZ
- ETAR50MCLF / ETAR50MCLF-BZ



※ ETAR50MCL / ETAR50MCL-BZ: Steady, ETAR50MCLF / ETAR50MCLF-BZ: Flashing

Ordering Specification

ETAR50MCL	-	24	-	RAG
[Model number]		[Voltage]		[Color]
ETAR50MCL		24-DC24V		● R-Red ● A-Amber ● G-Green
ETAR50MCL-BZ				
ETAR50MCLF				
ETAR50MCLF-BZ				

Customization

- NPN type