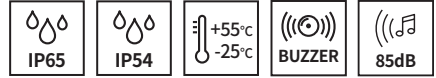


ETR50L



ETR50L

PRODUCT SPECIFICATION

ETR50L

Materials Housing-ABS, Lens-PC
Ambient operating temperature -25°C to +55°C
Volume Max. 85dB at 1m
Protection rating IP65/IP54

- 50mm outer diameter LED lighting economic tower lamp
- A soft and cozy signal light is emitted through the milky translucent lens
- Excellent long-distance visibility by using high-brightness LED light source
- Waterproof and dustproof cap that meets the IP65 degree of protection
- Equipped with a foldable bracket to respond to various external environments
- Buzzer type can be selected for lighting specifications

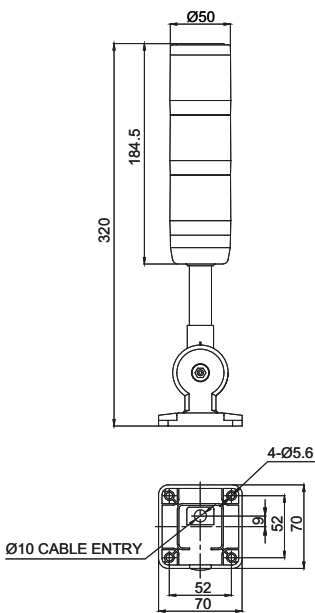
ETR50L Industrial LED beacon

| Model number | Layers | Voltage | Current | Certificates | Weight | Color |
|--|--------|---------|---------|--------------|--------|------------------------|
| ETR50L Steady | | | | | | ● R-Red |
| ETR50L-BZ Steady w/built-in buzzer | 3 | DC24V | 0.085A | - | 0.42kg | ● A-Amber ● G-Green |

Technical Diagram

Units: mm

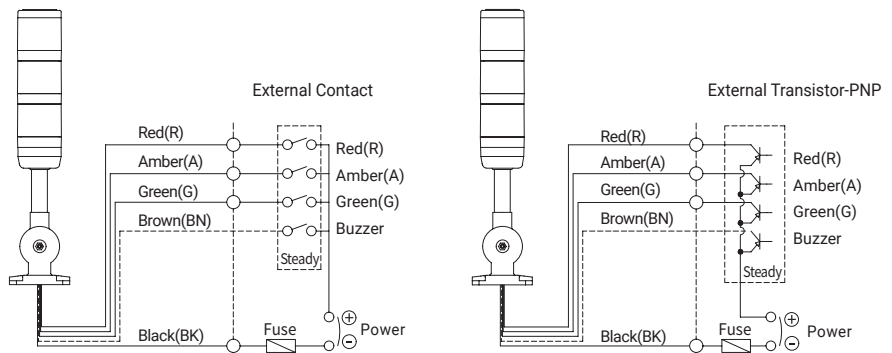
• ETR50L / ETR50L-BZ



Wiring Instructions

- ETR50L series can be wired by using both external contact and transistor.
- Wiring to transistor, use the PNP transistor. Please wire properly based on wiring instructions.

• ETR50L / ETR50L-BZ



※ ETR50L / ETR50L-BZ: Steady, ETR50LF / ETR50LF-BZ: Flashing

Ordering Specification

| | | | | |
|---------------------------------------|---|-----------------------|---|--|
| ETR50L | - | 24 | - | RAG |
| [Model number] ETR50L ETR50L-BZ | | [Voltage] 24-DC24V | | [Color] ● R-Red ● A-Amber ● G-Green |