



Register Sensors RS10

Adjustable individual thresholds

Adjustable individual thresholds



Product description

The RS10 is ideal for detecting print marks with low contrast or handling register marks with many different colors due to its individual threshold adjustment feature. Single screw mounting

makes it easy to integrate and adjust in the machine. The round-shaped, white LED improves accuracy at high speeds. Up to 18 marks can be handled by the embedded register control system.

At a glance

- The register is controlled with individual thresholds
- Unique housing: one screw mounting
- Tight dual-sensor mounting ability
- Detects 1-18 marks of different colors
- Easy teach-in via button

Your benefits

- Better performance in low contrast applications or with many color marks (>8)
- Unique housing allows for quick mounting and adjustment
- Dual sensors detect a double columns of marks
- Fast teach procedure for less downtime on the production line



Additional information

Detailed technical data.....3

Ordering information.....3

Dimensional drawing.....4

Connection type and diagram.....4

Instruction for installation.....4

Functional principle.....5

Flow diagram.....5

Recommended accessories.....6

→ www.mysick.com/en/RS10

For more information, just enter the link or scan the QR code and get direct access to technical data, CAD design models, operating instructions, software, application examples and much more.



Detailed technical data

Features

Dimensions (L x W x H)	60 mm x 15 mm x 62 mm
Sensing distance	13 mm
Sensing distance tolerance	± 1 mm
Light source ¹⁾²⁾	LED, white
Light spot size	0.8 mm x 3 mm

¹⁾ Average service life of 100,000 h at $T_A = +25\text{ °C}$.

²⁾ Wave length: 450 nm ... 650 nm.

Mechanics/electronics

Supply voltage V_s ¹⁾	DC 10 V ... 30 V
Ripple ²⁾	≤ 5 V _{pp}
Power consumption ³⁾	< 100 mA
Response time ⁴⁾	≤ 20 μs
Jitter	≤ 10 μs
Switching output	PNP/NPN, push-pull
Output current I_{max}	< 100 mA
Input, teach-in (ET)	Run: $U < 2\text{ V}$ Teach: $U = 10\text{ V} \dots < U_V$
Connection type	Connector M12, 8-pin
Protection class ⁵⁾	II
Circuit protection	Interference suppression Outputs overcurrent and short-circuit protected
Enclosure rating	IP 67
Weight	Approx. 400 g
Housing material	Aluminum (anodised)

¹⁾ Limit values: operation in short-circuit protected network max. 8 A.

²⁾ May not fall short of or exceed V_s tolerances.

³⁾ Without load.

⁴⁾ Signal transit time with resistive load.

⁵⁾ Reference voltage DC 32 V.

Ambient data

Ambient temperature	Operation: -10 °C ... +60 °C Storage: -25 °C ... +75 °C
Shock load	According to IEC 60068

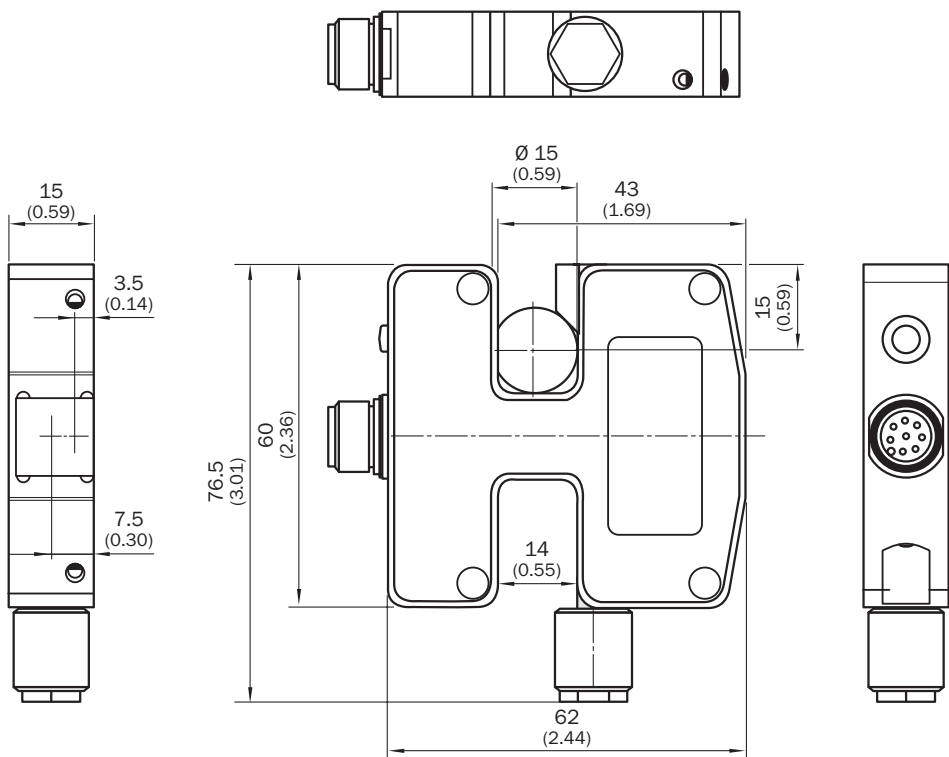
Ordering information

Sensing distance	Light source	Response time ¹⁾	Switching output	Type	Part no.
13 mm	LED, white	≤ 20 μs	PNP/NPN, push-pull	RS10-M111	1060116

¹⁾ Signal transit time with resistive load.

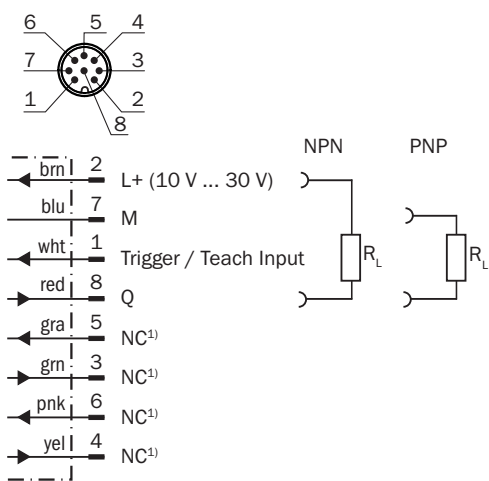
Dimensional drawing

dimensions in mm (inch)



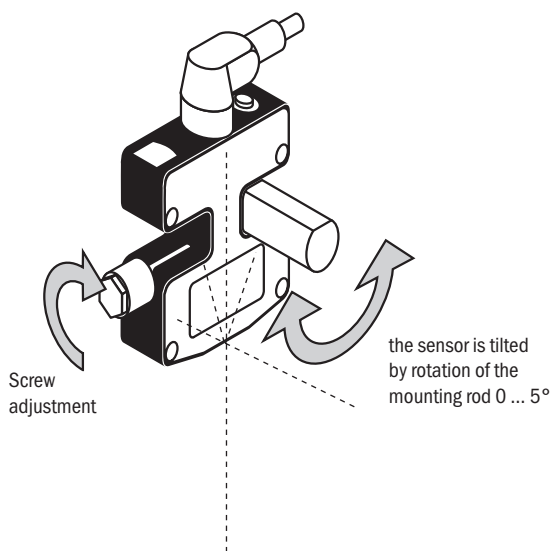
Connection type and diagram

Connector M12, 8-pin

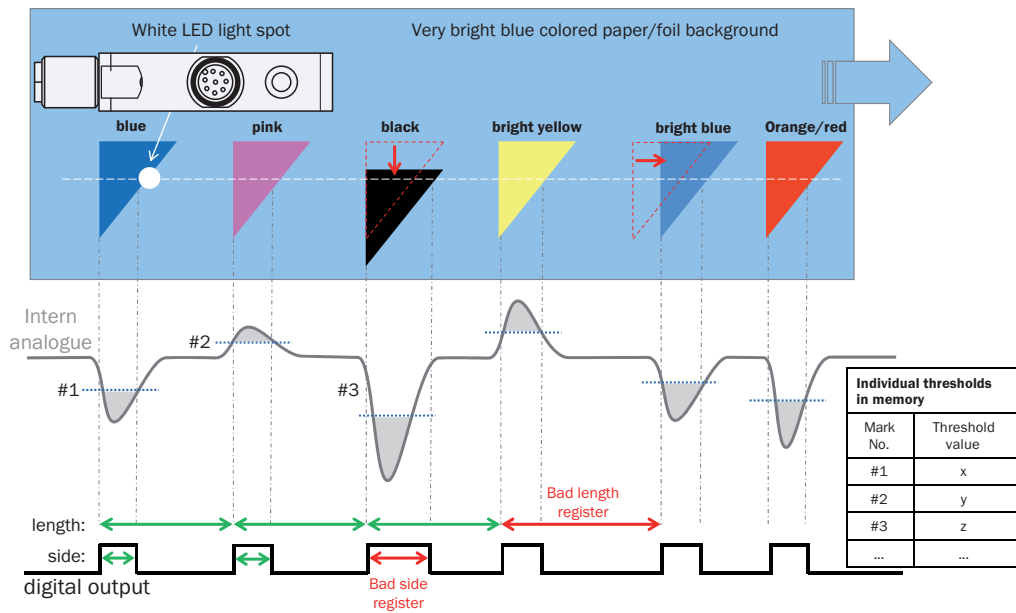


① Not connected. Leave open, do not wire to ground.

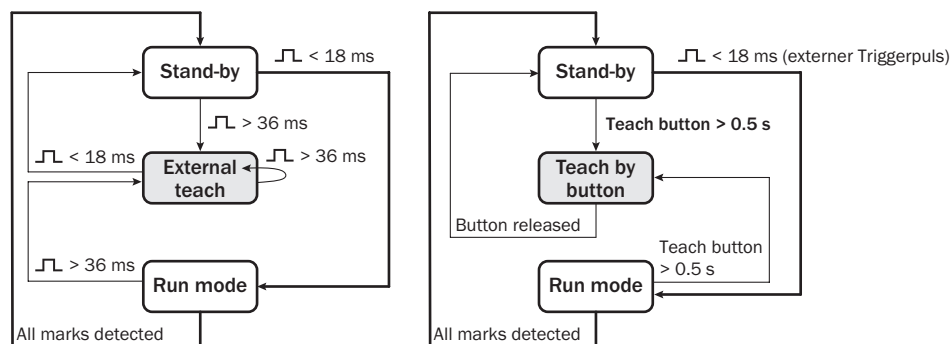
Instruction for installation



Functional principle



Flow diagram





Recommended accessories

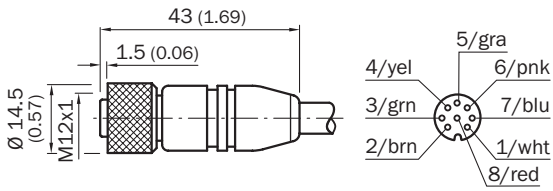
Plug connectors and cables

Connecting cable (female connector-open)

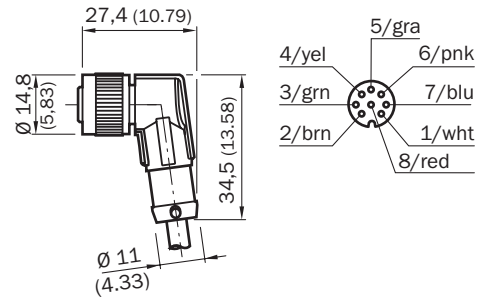
- Cable material: PUR, halogen-free
- Connector material: TPU
- Locking nut material: zinc die-cast, nickel-plated

	Connection type head A	Connection type head B	Connecting cable	Model name	Part no.
	Female connector, M12, 8-pin, straight	Cable	2 m, 8-pole	DOL-1208-G02MAH1	6032448
	Female connector, M12, 8-pin, angled	Cable	2 m, 8-pole	DOL-1208-W02MAS01	6029224

DOL-1208-G02MAH1



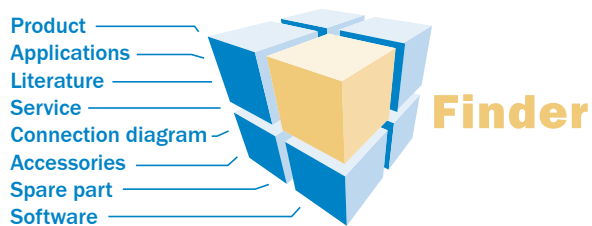
DOL-1208-W02MAS01



All dimensions in mm (inch)

www.mysick.com – search online and order

Search online quickly and safely – with the SICK “Finders”

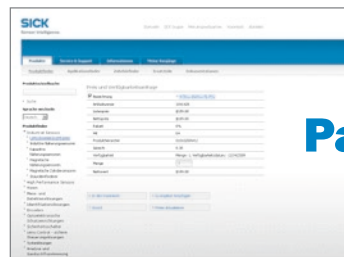


Product Finder: We can help you to quickly target the product that best matches your application.

Applications Finder: Select the application description on the basis of the challenge posed, industrial sector, or product group.

Literature Finder: Go directly to the operating instructions, technical information, and other literature on all aspects of SICK products.

Efficiency – with the e-commerce tools from SICK



Partner Portal
www.mysick.com

Find out prices and availability: Determine the price and possible delivery date of your desired product simply and quickly at any time.

Request or view a quote: You can have a quote generated online here. Every quote is confirmed to you via e-mail.

Order online: You can go through the ordering process in just a few steps.

For safety and productivity: SICK LifeTime Services

SICK LifeTime Services is a comprehensive set of high-quality services provided to support the entire life cycle of products and applications from system design all the way to upgrades. These services increase the safety of people, boost the productivity of machines and serve as the basis for our customers’ sustainable business success.



Consulting & Design

Globally available experts for cost-effective solutions



Product & System Support

Fast and reliable, by telephone or on location



Verification & Optimization

Checks and recommendations for increased availability



Upgrade & Retrofits

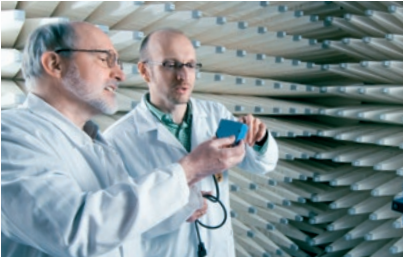
Uncovers new potential for machines and systems



Training & Education

Employee qualification for increased competitiveness

SICK at a glance



Leading technologies

With a staff of more than 5,800 and nearly 50 subsidiaries and representations worldwide, SICK is one of the leading and most successful manufacturers of sensor technology. The power of innovation and solution competency have made SICK the global market leader. No matter what the project and industry may be, talking with an expert from SICK will provide you with an ideal basis for your plans – there is no need to settle for anything less than the best.



Unique product range

- Non-contact detecting, counting, classifying, positioning and measuring of any type of object or media
- Accident and operator protection with sensors, safety software and services
- Automatic identification with bar code and RFID readers
- Laser measurement technology for detecting the volume, position and contour of people and objects
- Complete system solutions for analysis and flow measurement of gases and liquids



Comprehensive services

- SICK LifeTime Services – for safety and productivity
- Application centers in Europe, Asia and North America for the development of system solutions under real-world conditions
- E-Business Partner Portal www.mysick.com – price and availability of products, requests for quotation and online orders

Worldwide presence with subsidiaries in the following countries:

Australia
Belgium/Luxembourg
Brasil
Česká Republika
Canada
China
Danmark
Deutschland
España
France
Great Britain
India
Israel
Italia
Japan

México
Nederland
Norge
Österreich
Polska
România
Russia
Schweiz
Singapore
Slovenija
South Africa
South Korea
Suomi
Sverige
Taiwan
Türkiye
United Arab Emirates
USA

Please find detailed addresses and additional representatives and agencies in all major industrial nations at www.sick.com