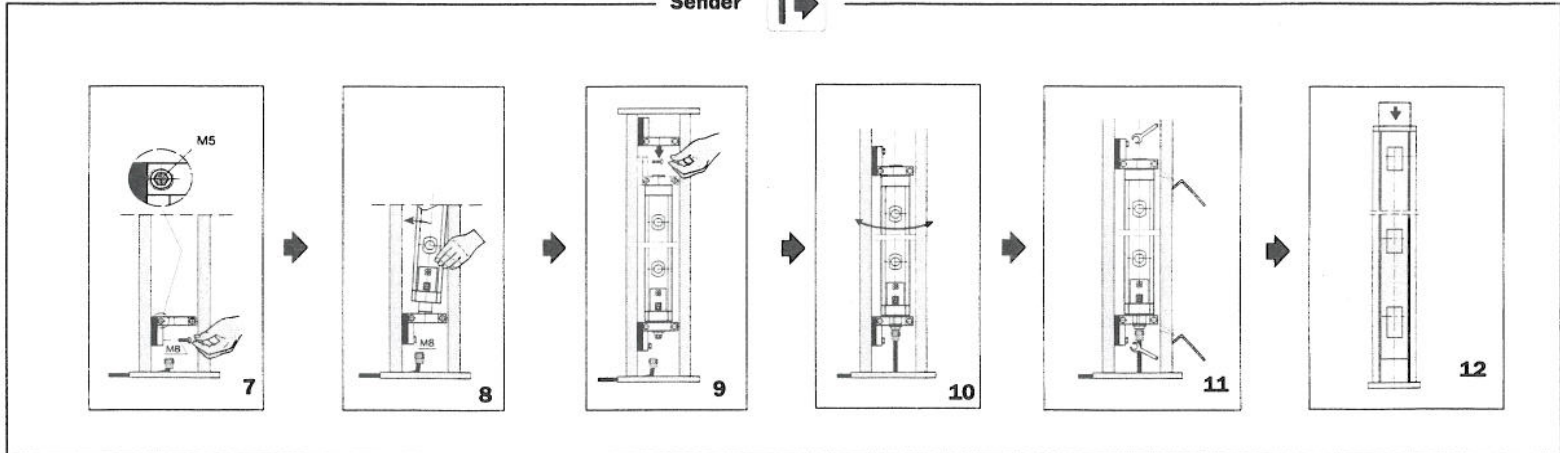
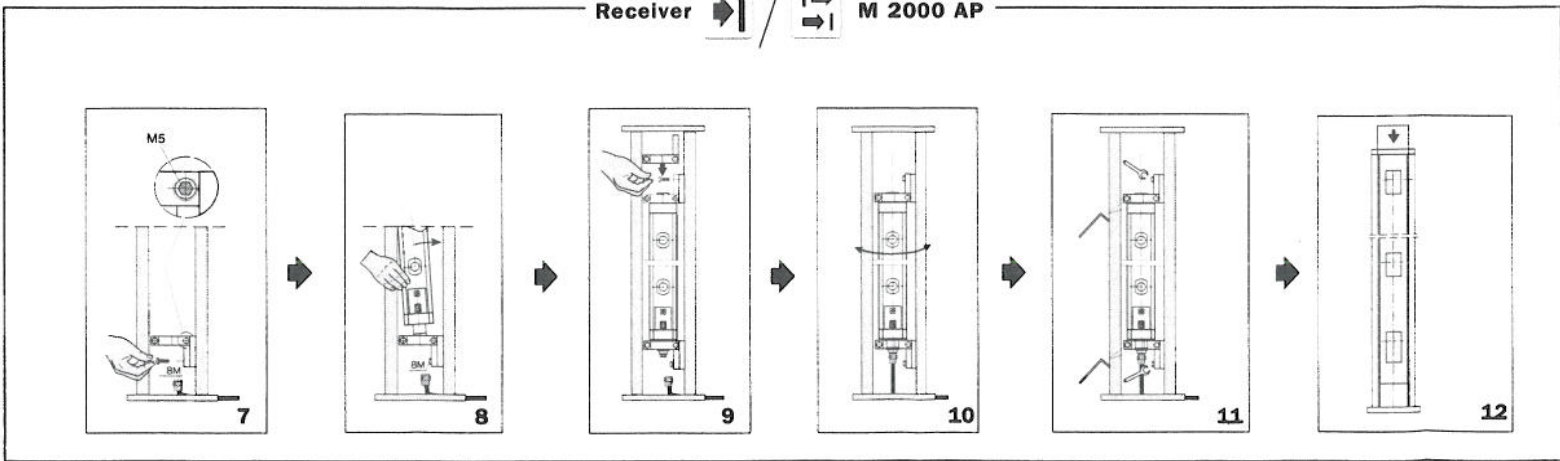


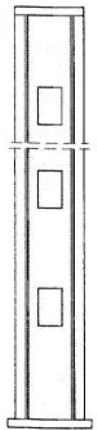
Sender



Receiver / M 2000 AP



**C 2000 / M 2000
Column**



SICK