



DFS20/DFS21/DFS22/DFS25

FACTORY-CONFIGURED AND USER-PROGRAMMABLE
INCREMENTAL ENCODERS

Incremental encoders

SICK
Sensor Intelligence.

FACTORY-CONFIGURED AND USER-PROGRAMMABLE INCREMENTAL ENCODERS



Product description

The DFS2x family of products are high-resolution incremental encoders that provide industry standard 2 and 2.5-inch mechanical interfaces and are available as factory-configured or programmable devices. Factory-configured encoders can be ordered with TTL, HTL, or open-collector outputs as well as integer resolutions from 1 to 65,536 counts per revolution. Programmable encoders allow the user to select the integer resolution and either TTL or HTL outputs.

DFS2x encoders incorporate rugged internal technology that allows them to operate over a wide temperature range and tolerate twice the shock and vibration levels of comparable encoders. The flexibility and reliability of these encoders allows you to confidently standardize on a single encoder platform for position sensing across a wide variety of applications while simultaneously reducing your spare part requirements.

At a glance

- Compact 2-inch and 2.5-inch design
- Integer resolutions from 1 to 65,536 pulses per rev
- Compatible with PGT-08-S PC-based programming tool
- Programmable encoders allow selection of resolution, signal phase, zero pulse position, and output interface
- Flange, hollow shaft, and blind hollow shaft options
- M12 connector, MS connector, and flying lead cable connection options

Your benefits

- Wide operating temperature range and high tolerance of shock and vibration reduce machine downtime
- High resolution provides more precise positioning for applications that require high accuracy
- Programmable DFS2x encoders simplify machine designs by allowing the same model encoder to be used for different applications
- Spare parts inventory requirements are reduced because a single programmable DFS2x encoder can be used across a variety of applications
- Flexible electrical interface configurations reduces the risk that the selected encoder will be incompatible with input electronics



Additional information

Detailed technical data	3
Type code	6
Ordering information	8
Dimensional drawings	8
PIN assignment	13
Maximum revolution range	13
Signal outputs	14
Accessories	14

→ www.sick.com/DFS2x

For more information, simply enter the link or scan the QR code and get direct access to technical data, CAD design models, operating instructions, software, application examples, and much more.



Detailed technical data

Performance

Pulses per revolution	0 ... 65,536
Measuring step	± 90° electric/pulses per revolution
Measuring step deviation	± 0.008° pulses 100 ... 10,000 ± 0.002° pulses > 10,000 ± 0.04° pulses 1 ... 99
Error limits	± 0.03°

Interfaces

Communication interface	Incremental
Communication Interface detail	TTL / RS-422 HTL / Push pull Open Collector TTL / HTL
Factory setting	Factory setting: output level TTL
Number of signal channels	6-channel
0-SET function	H-active, L = 0 - 3 V, H = 4,0 - U _s V ¹⁾
Programmable/configurable	- / ✓
Initialization time	40 ms ²⁾
Output frequency	820 kHz / 150 kHz
4.5 V... 5.5 V, TTL/RS-422	
Load current	30 mA
Operating current	50 mA (without load)
4.5 V ... 5.5 V, Open Collector	
Load current	30 mA
Operating current	50 mA (without load)
TTL/RS-422	
Load current	30 mA
Power consumption	0.7 W (without load)
HTL/Push pull	
Load current	30 mA
Power consumption	0.7 W (without load)
TTL/HTL	
Load current	30 mA
Power consumption	0.7 W (without load)
Open Collector	
Load current	30 mA
Power consumption	0.7 W (without load)

¹⁾ The Zero-Set function is not available with 6-pin MS connector or M12 connector options.

²⁾ Valid positional data can be read once this time has elapsed.

Electrical data

Connection type	Male connector, M12, 8-pin, radial ¹⁾ Male connector, MS, 10-pin, radial Male connector, MS, 7-pin, radial Male connector, MS, 6-pin, radial ¹⁾ Cable, 9-wire, radial, 3 m Cable, 9-wire, radial, 5 m Cable, 9-wire, radial, 10 m Cable, 9-wire, radial, 1.5 m Cable, 9-wire, radial, 1 m Male connector, M12, 8-pin, axial ¹⁾ Male connector, MS, 10-pin, axial Male connector, MS, 7-pin, axial Male connector, MS, 6-pin, axial ¹⁾ Cable, 9-wire, axial, 1.5 m Cable, 9-wire, axial, 5 m Cable, 9-wire, axial, 10 m
Supply voltage	4.5 ... 5.5 V 8 ... 30 V 4.75 ... 30 V
Reference signal, number	1
Reference signal, position	Clockwise 180°, electric, gated with A 90°, electric, logically gated with A and B Counterclockwise 180°, Degree Marker Gated with BN2 180°, electric, gated with A 90°, electric, logically gated with A and B
Reverse polarity protection	✓
Short-circuit protection of the outputs	✓ ²⁾
MTTFd: mean time to dangerous failure	330 years (EN ISO 13849-1) ³⁾

¹⁾ The Zero-Set function is not available with 6-pin MS connector or M12 connector options.

²⁾ Short-circuit opposite to another channel or GND permissible for maximum 30 s.

³⁾ This product is a standard product and does not constitute a safety component as defined in the Machinery Directive. Calculation based on nominal load of components, average ambient temperature 40°C, frequency of use 8760 h/a. All electronic failures are considered hazardous. For more information, see document no. 8015532.

Mechanical data

	Solid shaft	Through hollow shaft	Blind hollow shaft
Mechanical design	Solid shaft, Square flange Solid shaft, Servo flange Solid shaft, face mount flange	Through hollow shaft	Blind hollow shaft
Shaft diameter	Square flange 1/4" 3/8" 6 mm 10 mm (depending on type) Servo flange 6 mm 1/4" 10 mm 3/8" Face mount flange 10 mm 1/4" 3/8"	-	-

	Solid shaft	Through hollow shaft	Blind hollow shaft
2-point stator coupling	-	3/8" / 1/2"	
3-point stator coupling	-	3/8" / 1/2"	
Wavelength			
Solid shaft, Square flange	16 mm	-	
Solid shaft, Servo flange	16 mm	-	
Solid shaft, face mount flange	16 mm	-	
Flange type / stator coupling	-	2-point stator coupling / 3-point stator coupling	
Weight	+ 0.4 kg ¹⁾	+ 0.3 kg ²⁾	
Shaft material	Stainless steel 1,4305		
Flange material	Aluminum		
Housing material	Aluminum		
Start up torque	0.5 Ncm (+20 °C)	0.8 Ncm (+20 °C)	
Operating torque	0.3 Ncm (+20 °C)	0.6 Ncm (+20 °C)	
Permissible shaft movement, axial static/dynamic	-	± 0.5 mm / ± 0.1 mm	
Permissible shaft movement, radial static/dynamic	-	± 0.3 mm / ± 0.05 mm	
Permissible shaft loading radial/axial	40 N (axial) 80 N (radial)	-	
Operating speed	≤ 9,000 min ⁻¹	≤ 6,000 min ⁻¹	
Moment of inertia of the rotor	15 gcm ²	40 gcm ²	
Bearing lifetime	3.6 x 10 ⁹ revolutions		
Angular acceleration	≤ 500,000 rad/s ²		

¹⁾ Relates to encoders with male connector MS.

²⁾ Relates to encoders with male connector M12.

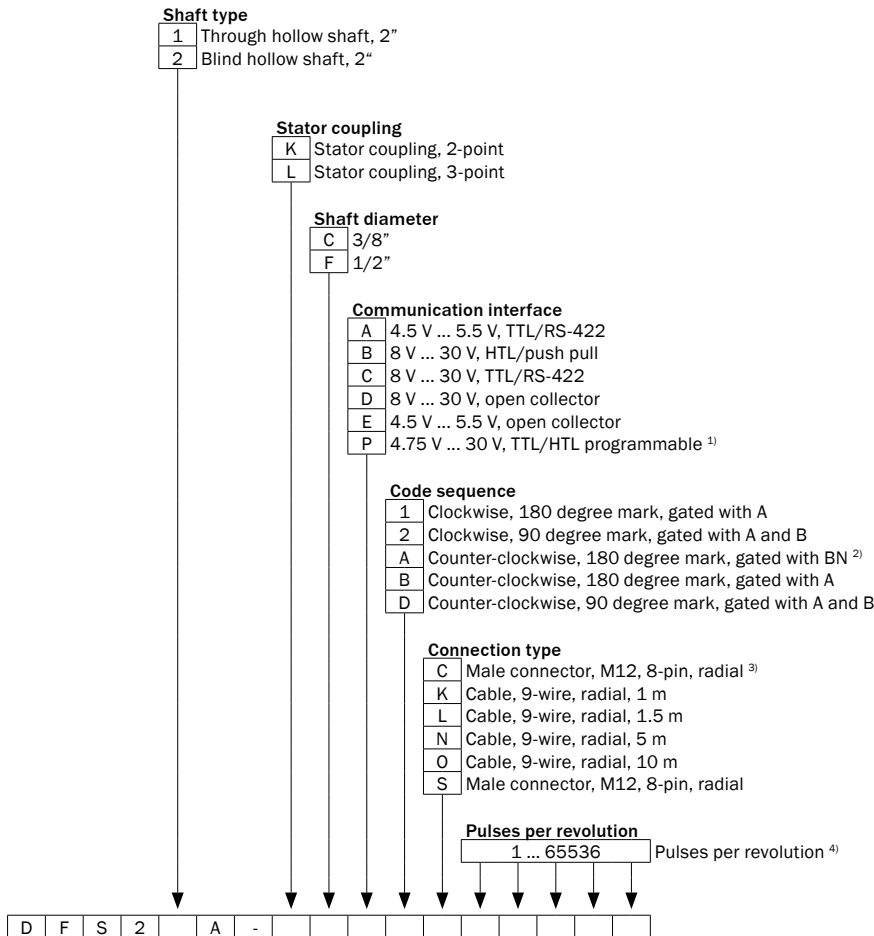
Ambient data

EMC	According to EN 61000-6-2 and EN 61000-6-3
Enclosure rating	IP65, shaft side (according to IEC 60529) ¹⁾ IP67, housing side, male connector (according to IEC 60529) IP65, shaft side (according to IEC 60529) IP67, housing side, cable connection (according to IEC 60529)
Permissible relative humidity	90 % (Condensation not permitted)
Operating temperature range	-30 °C ... +85 °C
Storage temperature range	-40 °C ... +100 °C, without package
Resistance to shocks	100 g, 11 ms (according to EN 60068-2-27)
Resistance to vibration	30 g, 10 Hz ... 2,000 Hz (according to EN 60068-2-6)

¹⁾ With mating connector fitted.

Type code

Hollow shaft



¹⁾ The P electronic interface option offers an output type (5 V or 8 V ... 30 V line driver) which can be selected by the user, pulses per revolution and counting direction. The default setting set at the factory is 5 V line driver outputs, 0 pulse width.

²⁾ Direction of rotation / Marking position A (counter-clockwise, 180 degree mark with BN switching) is not available for the P communication interface (5 V ... 30 V DC power supply, 5 V or 8 V ... 30 V line driver outputs can be selected by the user).

³⁾ Zero set possible, not for programmable devices.

⁴⁾ The P electronic interface option offers an output type (5 V or 8 V ... 30 V line driver) which can be selected by the user, pulses per revolution and counting direction. The default setting set at the factory is 5 V line driver outputs, 0 pulse width.

The following features can be programmed using PGT-08 programming tool (only for programmable encoders):

Pulses per revolution of 1 ... 65536

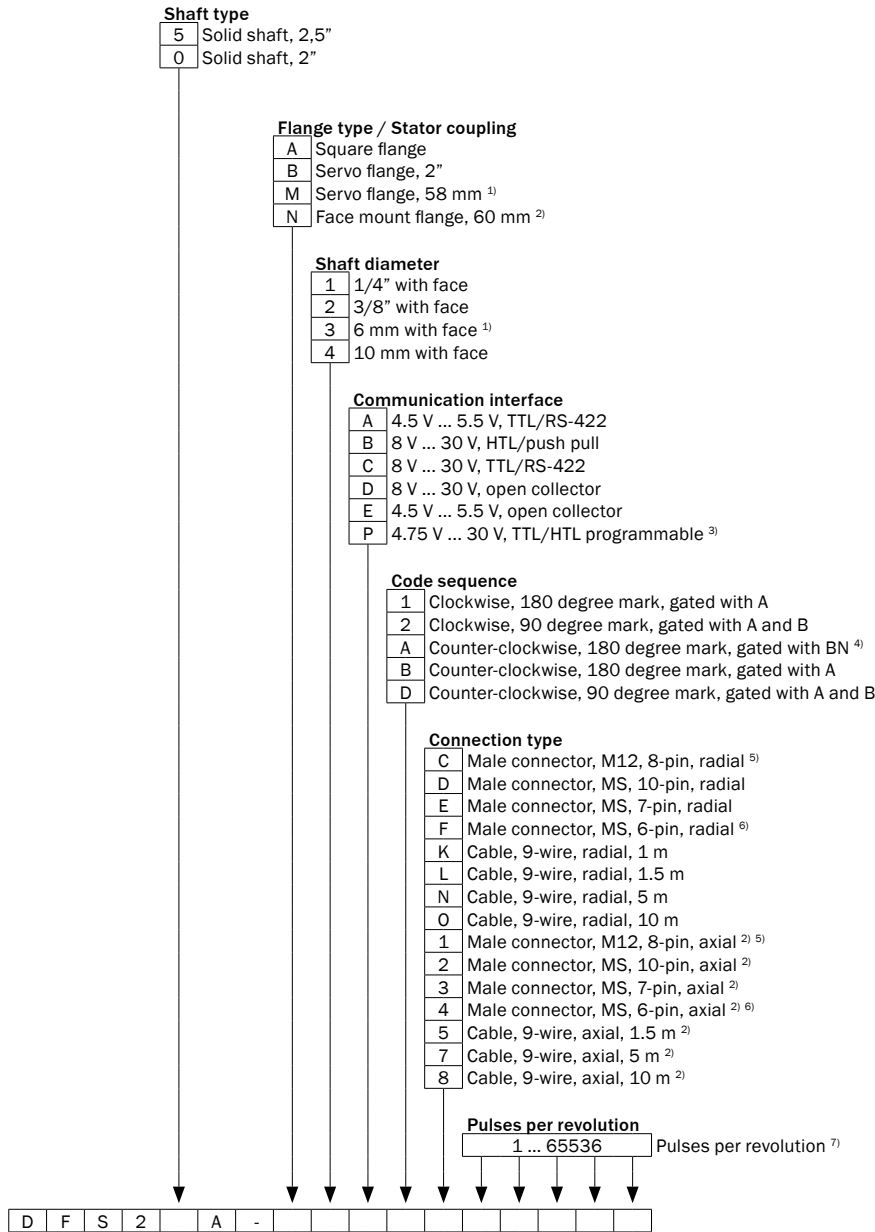
Electrical zero pulse width 90°, 180°, 270°

Mechanical zero pulse width 1° ... 359°

Electric output current circuit 5 V (TTL) or 8 V ... 30 V (HTL) - line driver

Direction of rotation for A leads B (CW or CCW)

Solid shaft



¹⁾ Only for mechanical version 0.

²⁾ Only for mechanical version 5.

³⁾ The P electronic interface option offers an output type (5 V or 8 V ... 30 V line driver) which can be selected by the user, pulses per revolution and counting direction. The default setting set at the factory is 5 V line driver outputs, 0 pulse width.

⁴⁾ Direction of rotation / Marking position A (counter-clockwise, 180 degree mark with BN switching) is not available for the P communication interface (5 V ... 30 V DC power supply, 5 V or 8 V ... 30 V line driver outputs can be selected by the user).

⁵⁾ Zero set possible, not for programmable devices.

⁶⁾ Zero set possible.

⁷⁾ The P electronic interface option offers an output type (5 V or 8 V ... 30 V line driver) which can be selected by the user, pulses per revolution and counting direction. The default setting set at the factory is 5 V line driver outputs, 0 pulse width.

The following features can be programmed using PGT-08 programming tool (only for programmable encoders):

Pulses per revolution of 1 ... 65536

Electrical zero pulse width 90°, 180°, 270°

Mechanical zero pulse width 1° ... 359°

Electric output current circuit 5 V (TTL) or 8 V ... 30 V (HTL) - line driver

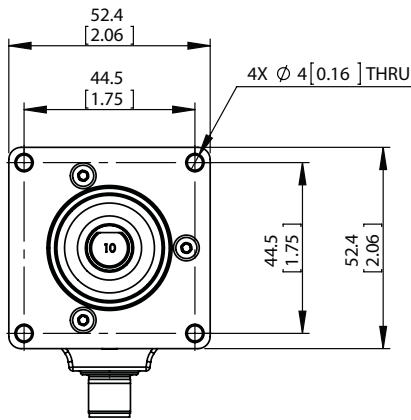
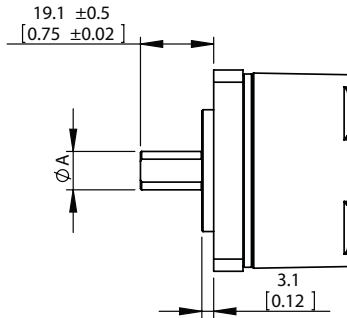
Direction of rotation for A leads B (CW or CCW)

Ordering information

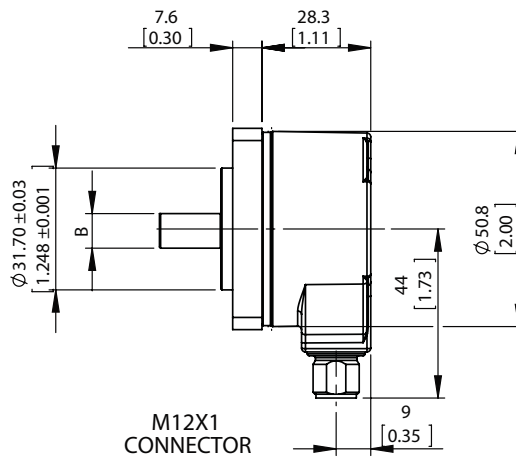
Dimensional drawings (Dimensions in mm (inch))

DFS20 square flange mount, radial connector outlet M12 and MS, cable outlet

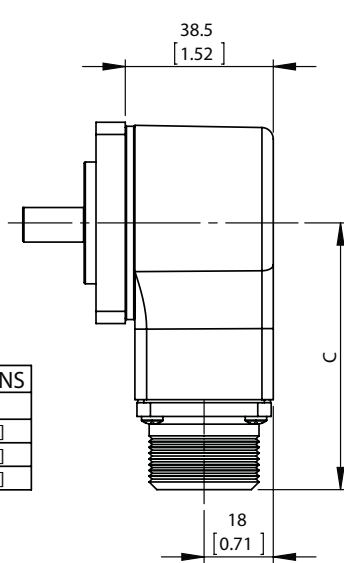
SHAFT OPTIONS		
NOMINAL	SHAFT ϕ "A"	FLAT DIM "B"
1/4"	6.327/6.312[.2491/.2485]	5.5[.22]
3/8"	9.507/9.492[.3743/.3737]	8.5[.33]
10MM	9.977/9.962[.3928/.3922]	9[.35]



SQUARE FLANGE

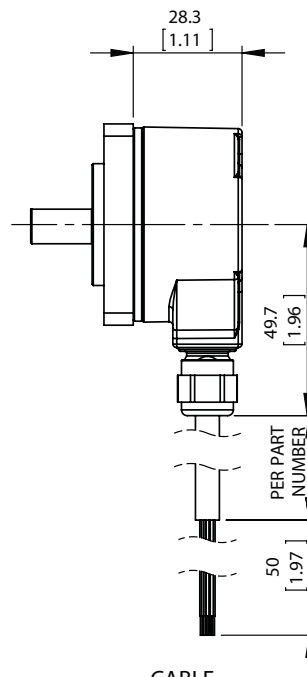


M12X1 CONNECTOR



MIL CONNECTOR

MIL CONNECTOR OPTIONS	
TYPE	DIM "C"
6 PIN	63.9[2.52]
7 PIN	63.9[2.52]
10 PIN	69.4[2.73]

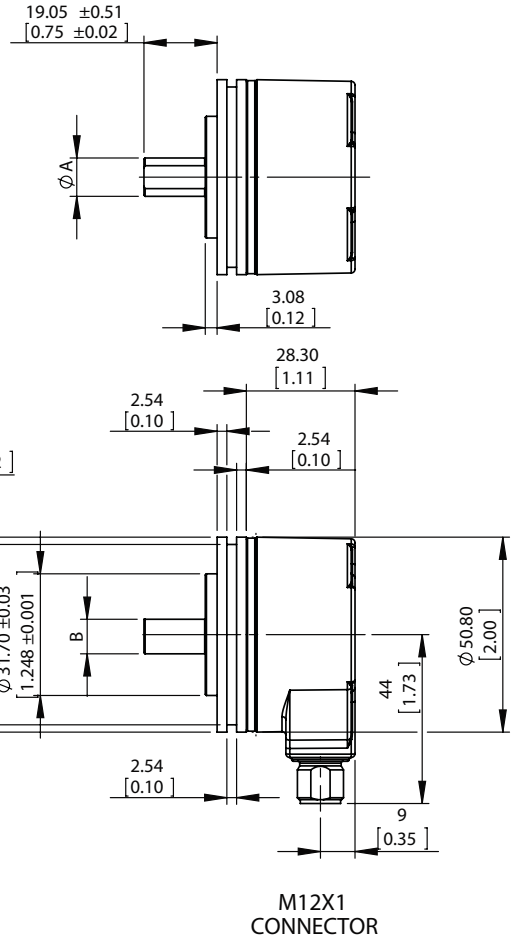
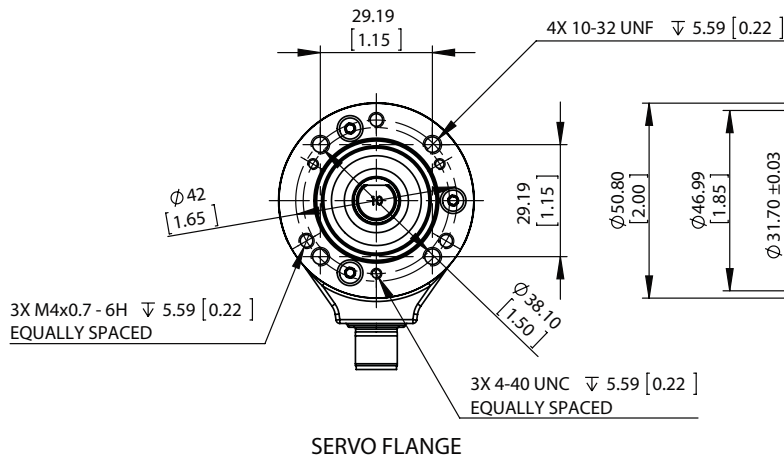


CABLE

Dimensional drawings and models for exact configurations can be downloaded from the website.

DFS20 servo flange mount, radial connector outlet M12 and MS, cable outlet

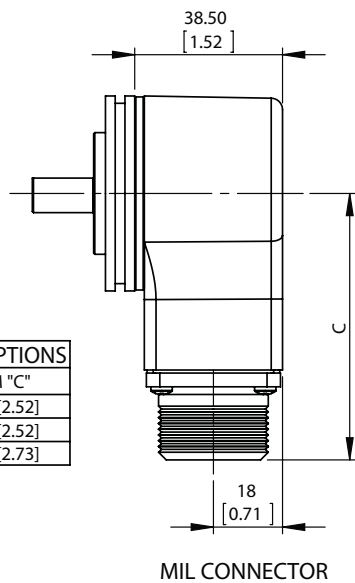
SHAFT OPTIONS		
NOMINAL	SHAFT ϕ "A"	FLAT DIM "B"
1/4"	6.327/6.312[.2491/.2485]	5.5[.22]
3/8"	9.507/9.492[.3743/.3737]	8.5[.33]
10MM	9.977/9.962[.3928/.3922]	9[.35]



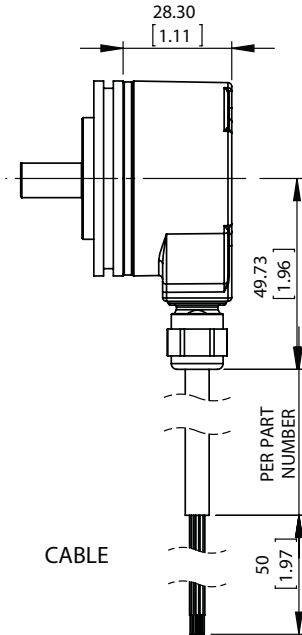
SERVO FLANGE

M12X1 CONNECTOR

MIL CONNECTOR OPTIONS	
TYPE	DIM "C"
6 PIN	63.9[2.52]
7 PIN	63.9[2.52]
10 PIN	69.4[2.73]



MIL CONNECTOR

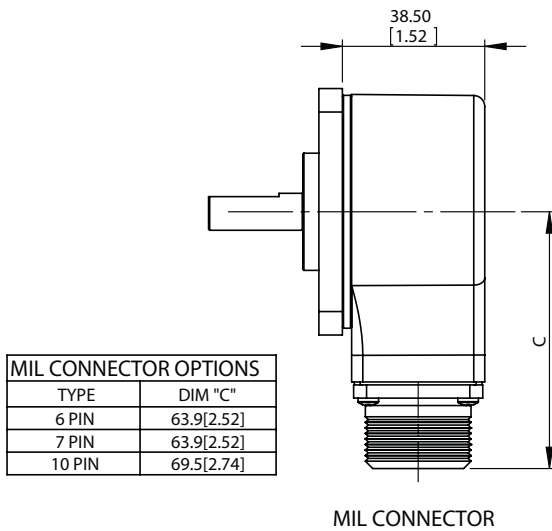
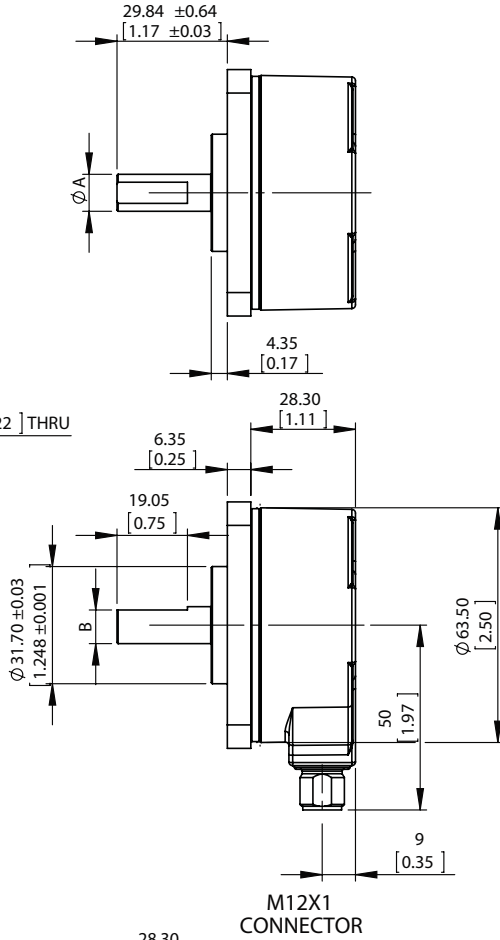
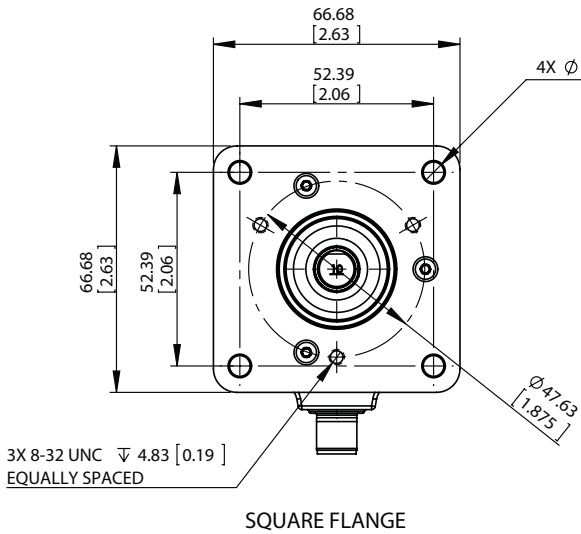


CABLE

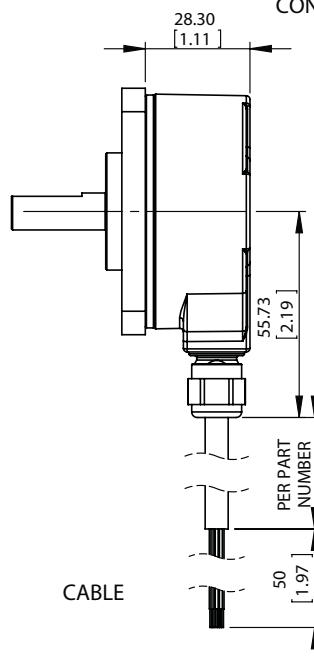
Dimensional drawings and models for exact configurations can be downloaded from the website.

DFS25 square flange mount, radial connector outlet M12 and MS, cable outlet

SHAFT OPTIONS		
NOMINAL	SHAFT Ø "A"	FLAT DIM "B"
1/4"	6.327/6.312[.2491/.2485]	5.5[.22]
3/8"	9.507/9.492[.3743/.3737]	8.5[.33]
10MM	9.977/9.962[.3928/.3922]	9[.35]



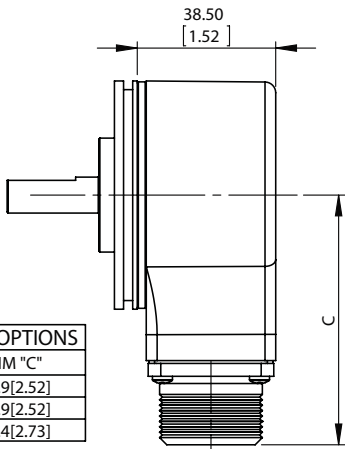
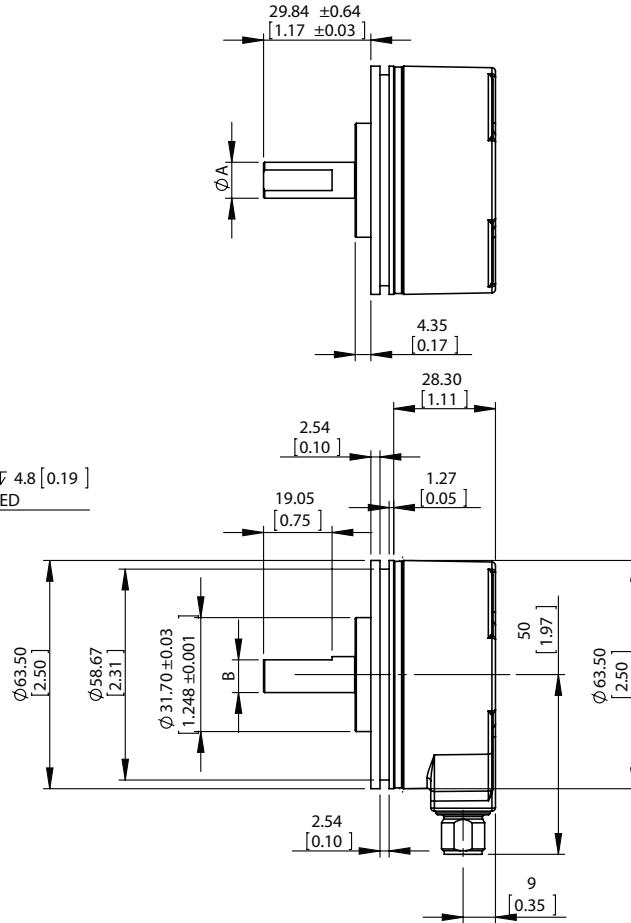
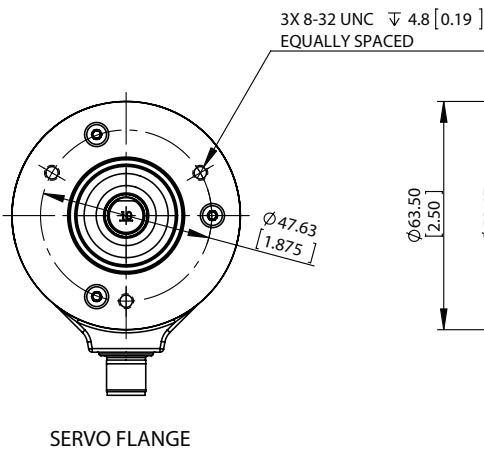
MIL CONNECTOR OPTIONS	
TYPE	DIM "C"
6 PIN	63.9[2.52]
7 PIN	63.9[2.52]
10 PIN	69.5[2.74]



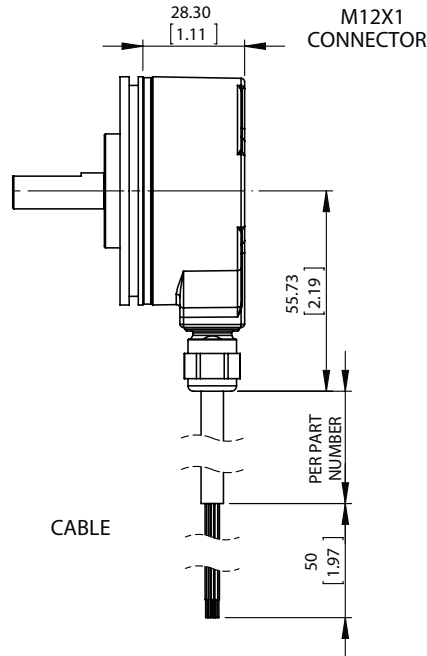
Dimensional drawings and models for exact configurations can be downloaded from the website.

DFS25 servo flange mount, radial connector outlet M12 and MS, cable outlet

SHAFT OPTIONS		
NOMINAL	SHAFT ϕ "A"	FLAT DIM "B"
1/4"	6.327/6.312[.2491/.2485]	5.5[.22]
3/8"	9.507/9.492[.3743/.3737]	8.5[.33]
10MM	9.977/9.962[.3928/.3922]	9[.35]

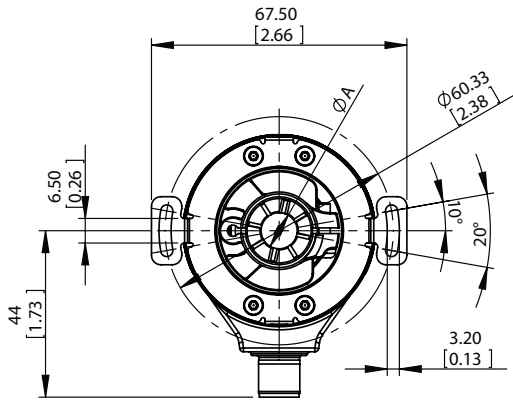


MIL CONNECTOR OPTIONS	
TYPE	DIM "C"
6 PIN	63.9[2.52]
7 PIN	63.9[2.52]
10 PIN	69.4[2.73]

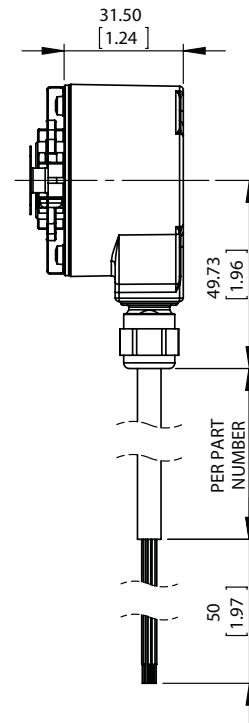
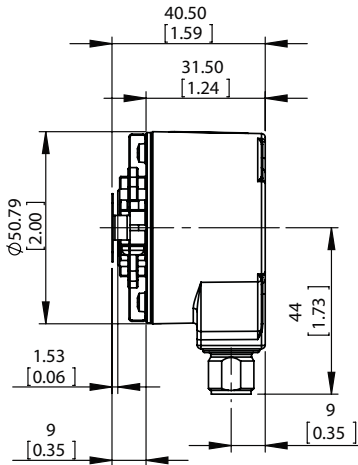


Dimensional drawings and models for exact configurations can be downloaded from the website.

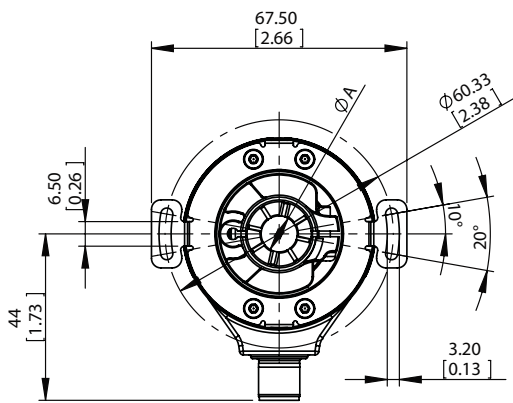
DFS21, DFS22 Blind Hollow Shaft and Through Hollow Shaft



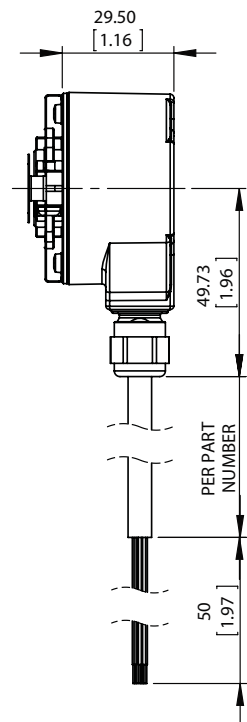
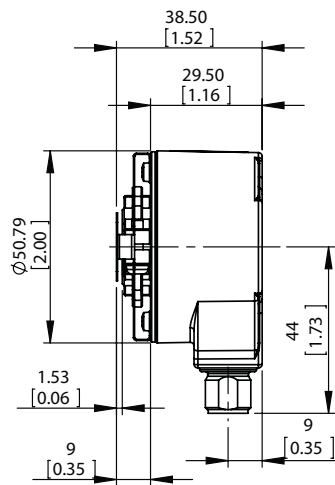
BLIND HOLLOW SHAFT



SHAFT OPTIONS	
NOMINAL	SHAFTØ "A"
3/8"	9.543/9.558[.3757/.3763]
1/2"	12.716/12.734[.5006/.5013]

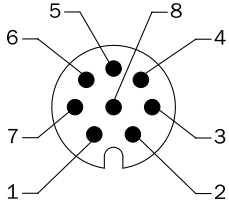


THROUGH HOLLOW SHAFT

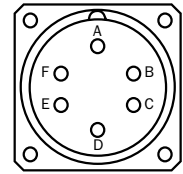
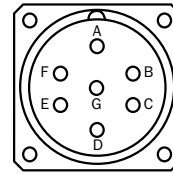
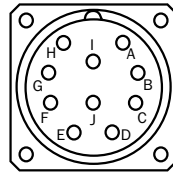


Dimensional drawings and models for exact configurations can be downloaded from the website.

PIN assignment



View of the M12 connector on the encoder

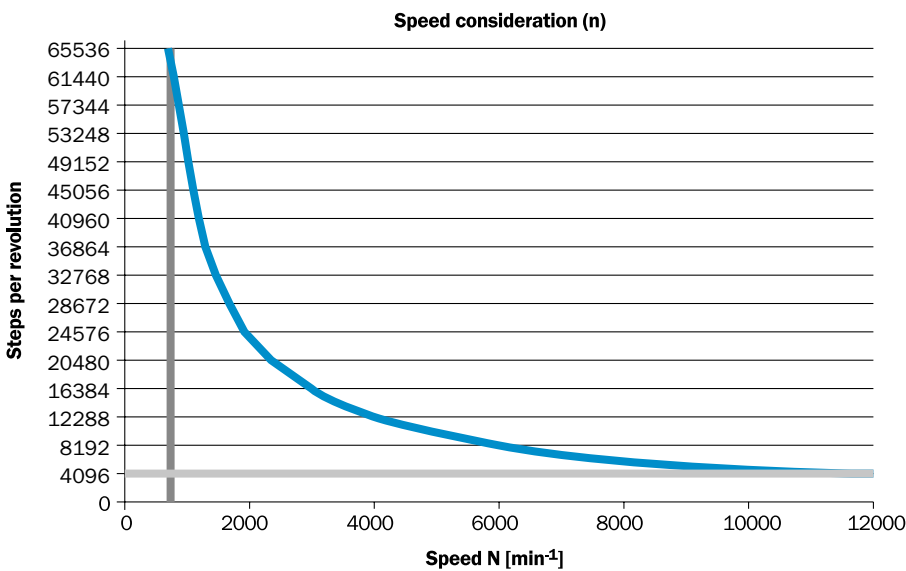


View of the MS connector on the encoder

M12, 8-pin	MS, 10-pin	MS, 7-pin	MS, 6-pin	Cable, 9-wire	Signal	Description
1	H	-	-	Brown	\bar{A}	Signal wire
2	A	A	E	White	A	Signal wire
3	I	-	-	Black	\bar{B}	Signal wire
4	B	B	D	Pink	B	Signal wire
5	J	-	-	Yellow	\bar{Z}	Signal wire
6	C	C	C	Purple	Z	Signal wire
7	F	F	A	Blue	GND	GND
8	D	D	B	Red	U_s	Supply voltage
-	E	E	-	Orange	0-SET	Input signal
-	G	G	F	-	Case	Electrically connected to the housing potential
-	-	-	-	Bare	Drain	Bare wire parallel to the braided screen
-	-	-	-	Screen	Screen	Screen connected to housing on encoder side

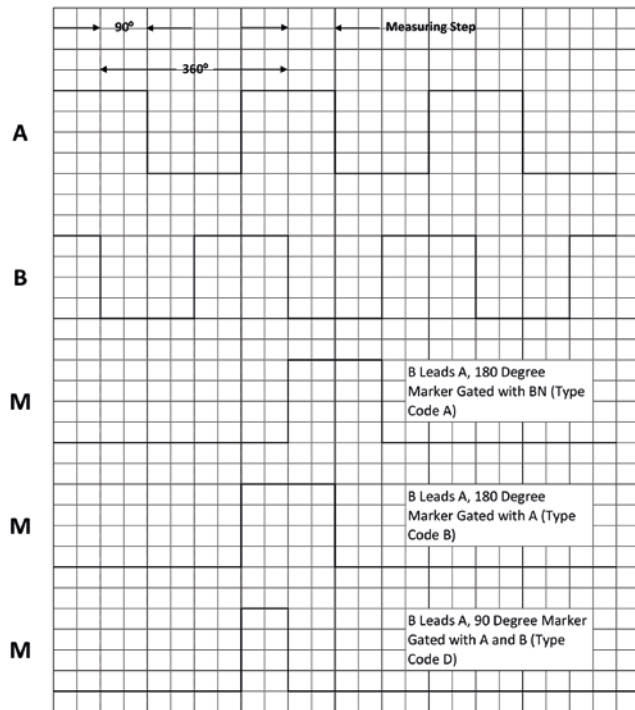
Maximum revolution range

Maximum revolution range



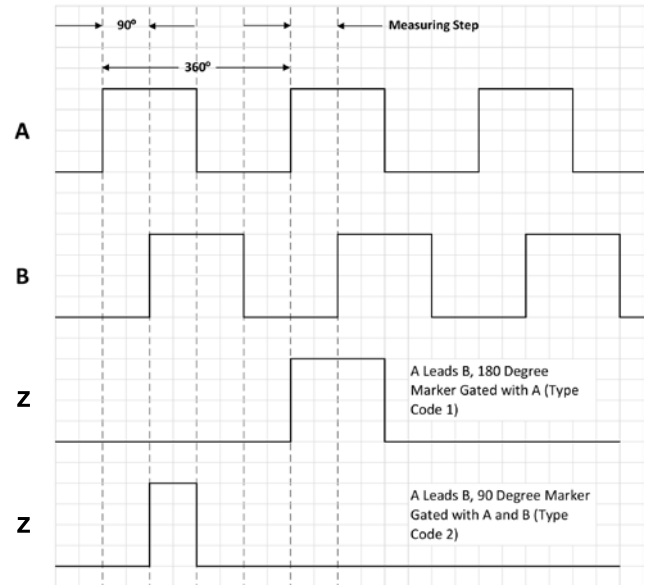
Signal outputs

Signal Outputs with Counter Clock-wise Counting Direction Option Selected (B leads A for clock-wise rotation). Complement signals AN, BN and ZN are not shown.



Cw with view on the encoder shaft in direction "A", compare dimensional drawing.

Signal Outputs with Clock-wise Counting Direction Option Selected (A leads B for clock-wise rotation). Complement signals AN, BN and ZN are not shown.



Cw with view on the encoder shaft in direction "A", compare dimensional drawing.

Accessories

Mounting systems

Shaft adaptation



Shaft couplings

Figure	Brief description	Type	Part no.
	Bellows coupling, shaft diameter 6 mm / 10 mm, maximum shaft offset: radial ± 0.25 mm, axial ± 0.4 mm, angular +/- 4°; max. speed 10,000 rpm, -30 °C to +120 °C, max. torque 80 Ncm; material: stainless steel bellows, aluminum hub	KUP-0610-B	5312982
	Spring washer coupling, shaft diameter 6 mm / 10 mm, Maximum shaft offset: radial +/- 0.3 mm, axial +/- 0.4 mm, angular +/- 2.5°; max. speed 12,000 rpm, -10° to +80 °C, max. torque 60 Ncm; material: aluminum flange, glass fiber-reinforced polyamide membrane and hardened steel coupling pin	KUP-0610-F	5312985
	Bellows coupling, shaft diameter 10 mm/10 mm; maximum shaft offset: radial +/- 0.25 mm, axial +/- 0.4 mm, angular +/- 4°; max. revolutions 10,000 rpm, -30° to +120 °C, max. torque 80 Ncm; material: stainless steel bellows, aluminum clamping hubs	KUP-1010-B	5312983
	Spring washer coupling, shaft diameter 10 mm / 10 mm, maximum shaft offset, radial ± 0.3 mm, axial ± 0.4 mm, angle ± 2.5°, torsion spring stiffness 30 Nm/rad; material: aluminum flange, glass-fiber reinforced polyamide membrane and hardened steel coupling pin	KUP-1010-F	5312986
	Spring washer coupling, shaft diameter 10 mm / 10 mm, maximum shaft offset, radial ± 0.3 mm, axial ± 0.4 mm, angle ± 2.5°, torsion spring stiffness 30 Nm/rad; material: aluminum flange, glass-fiber reinforced polyamide membrane and hardened steel coupling pin	KUP-1010-W	5319914
	10 mm / 12 mm; maximum shaft offset: radial +/- 0.25 mm, axial +/- 0.4 mm, angular +/- 4°; max. revolutions 10,000 rpm, -30° to +120 °C, max. torque 80 Ncm; material: stainless steel bellows, aluminum clamping hubs	KUP-1012-B	5312984

Dimensional drawings → [page 16](#)

Further accessories





Programming and configuration tools

Figure	Brief description	Type	Part no.
	USB programming unit, for programmable SICK encoders AFS60, AFM60, DFS60, VFS60, DFV60 and wire draw encoders with programmable encoders	PGT-08-S	1036616
	Programming unit display for programmable SICK DFS60, DFV60, AFS/AFM60, AHS/AHM36 encoders, and wire draw encoder with DFS60, AFS/AFM60 and AHS/AHM36. Compact dimensions, low weight, and intuitive operation.	PGT-10-PRO-S01	1087462
		PGT-10-Pro	1072254


Plug connectors and cables

Plug connectors and cables

Cables (ready to assemble)

Figure	Brief description	Type	Part no.
	Head A: cable Head B: Flying leads Cable: SSI, Incremental, HIPERFACE®, PUR, halogen-free, shielded, 4 x 2 x 0.15 mm ² , 5.6 mm	LTG-2308-MWENC	6027529
	Head A: cable Head B: Flying leads Cable: SSI, Incremental, PUR, shielded, 4 x 2 x 0.25 mm ² + 2 x 0.5 mm ² + 1 x 0.14 mm ² , 7.5 mm	LTG-2411-MW	6027530
	Head A: cable Head B: Flying leads Cable: SSI, Incremental, PUR, halogen-free, shielded, 4 x 2 x 0.25 mm ² + 2 x 0.5 mm ² + 2 x 0.14 mm ² , 7.8 mm	LTG-2512-MW	6027531
	Head A: cable Head B: Flying leads Cable: SSI, TTL, HTL, Incremental, PUR, halogen-free, shielded, 4 x 2 x 0.25 mm ² + 2 x 0.5 mm ² + 2 x 0.14 mm ² , 7.8 mm, UV and saltwater-resistant	LTG-2612-MW	6028516

Connecting cables

Figure	Brief description	Length of cable	Type	Part no.
	Head A: female connector, M12, 8-pin, straight Head B: Flying leads Cable: Incremental, SSI, PUR, halogen-free, shielded, 4 x 2 x 0.25 mm ² , 7 mm	2 m	DOL-1208-G02MAC1	6032866
		5 m	DOL-1208-G05MAC1	6032867
		10 m	DOL-1208-G10MAC1	6032868
		20 m	DOL-1208-G20MAC1	6032869
		25 m	DOL-1208-G25MAC1	6067859

Dimensional drawings → [page 17](#)

Connection cables


Figure	Brief description	Length of cable	Type	Part no.
	Head A: female connector, M12, 8-pin, straight Head B: male connector, D-Sub, 9-pin, straight Cable: Incremental, shielded, 4 x 2 x 0.08 mm ² Details: programming adapter cable for programming tool PGT-10-Pro and PGT-08-S	0.5 m	DSL-2D08-G0M5AC3	2046579

Figure	Brief description	Length of cable	Type	Part no.
	Head A: female connector, MS/10, 10-pin, straight Head B: male connector, D-Sub, 9-pin, straight Cable: Incremental, PUR, halogen-free, shielded, 4 x 2 x 0.08 mm ² Details: programming adapter cable for programming tool PGT-10-Pro and PGT-08-S	0.5 m	DSL-4D08-G0M5AC5	2067176

Field-attachable connectors

Figure	Brief description	Type	Part no.
	Head A: female connector, M12, 8-pin, straight, A-coded Head B: - Cable: Incremental, SSI, shielded, CAT5, CAT5e	DOS-1208-GA01	6045001
	Head A: male connector, M12, 8-pin, straight, A-coded Head B: - Cable: Incremental, shielded, CAT5, CAT5e	STE-1208-GA01	6044892
	Head A: male connector, M23, 12-pin, straight Head B: - Cable: HIPERFACE®, SSI, Incremental, shielded	STE-2312-G01	2077273

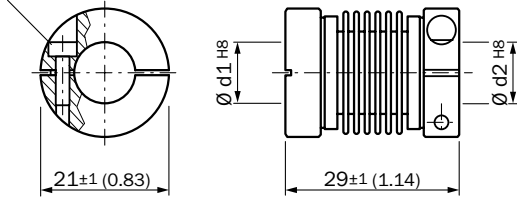
Dimensional drawings → page 17

Dimensional drawings for accessories (Dimensions in mm (inch))

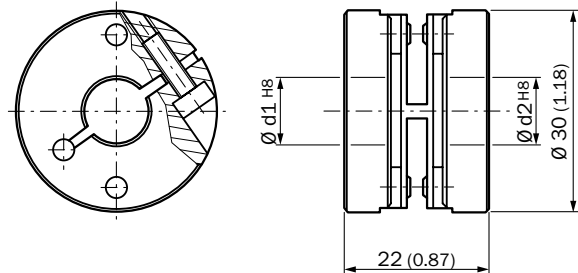
Shaft adaptation

KUP-xx1x-B

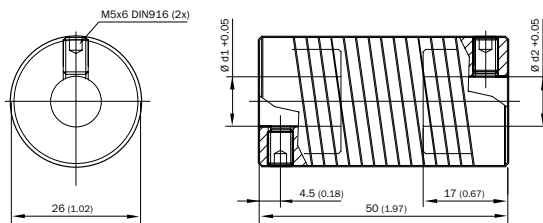
Cheese-head screw
M2.5 x 8, DIN 912 A2



KUP-xx10-F

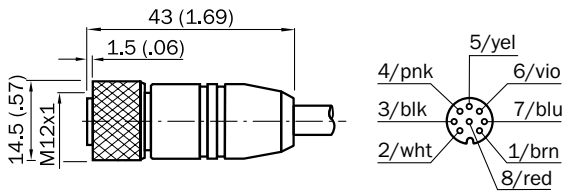


KUP-1010-W



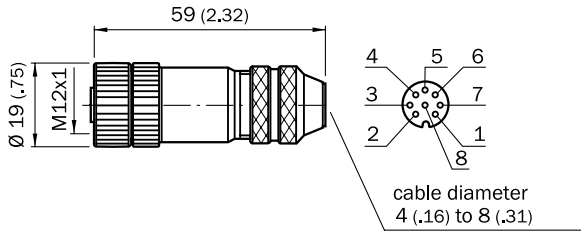
Plug connectors and cables

DOL-1208-GxxMAC1

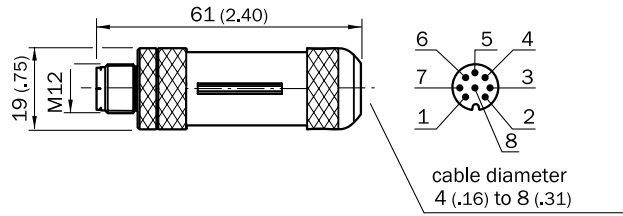


All dimensions in mm (inch)

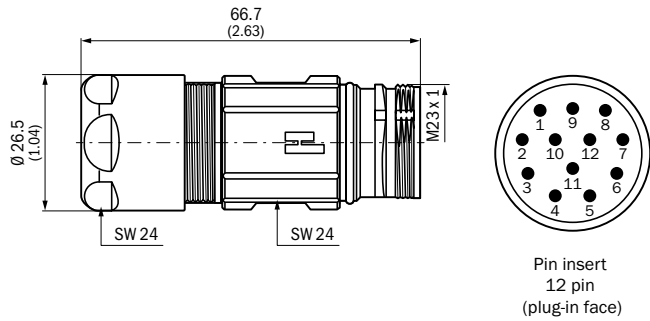
DOS-1208-GA01



STE-1208-GA01



STE-2312-G01



REGISTER AT WWW.SICK.COM TO TAKE ADVANTAGE OF OUR FOLLOWING SERVICES FOR YOU






- ✔ Access information on net prices and individual discounts.
- ✔ Easily order online and track your delivery.
- ✔ Check your history of all your orders and quotes.
- ✔ Create, save, and share as many wish lists as you want.
- ✔ Use the direct order to quickly order a big amount of products.
- ✔ Check the status of your orders and quotes and get information on status changes by e-mail.
- ✔ Save time by using past orders.
- ✔ Easily export orders and quotes, suited to your systems.



SERVICES FOR MACHINES AND PLANTS: SICK LifeTime Services

Our comprehensive and versatile LifeTime Services are the perfect addition to the comprehensive range of products from SICK. The services range from product-independent consulting to traditional product services.



- 
Consulting and design
 Safe and professional
- 
Product and system support
 Reliable, fast, and on-site
- 
Verification and optimization
 Safe and regularly inspected
- 
Upgrade and retrofits
 Easy, safe, and economical
- 
Training and education
 Practical, focused, and professional

SICK AT A GLANCE

SICK is a leading manufacturer of intelligent sensors and sensor solutions for industrial applications. With more than 10,000 employees and over 50 subsidiaries and equity investments as well as numerous agencies worldwide, SICK is always close to its customers. A unique range of products and services creates the perfect basis for controlling processes securely and efficiently, protecting individuals from accidents, and preventing damage to the environment.

SICK has extensive experience in various industries and understands their processes and requirements. With intelligent sensors, SICK delivers exactly what the customers need. In application centers in Europe, Asia, and North America, system solutions are tested and optimized in accordance with customer specifications. All this makes SICK a reliable supplier and development partner.

Comprehensive services round out the offering: SICK LifeTime Services provide support throughout the machine life cycle and ensure safety and productivity.

That is “Sensor Intelligence.”

Worldwide presence:

Australia, Austria, Belgium, Brazil, Canada, Chile, China, Czech Republic, Denmark, Finland, France, Germany, Great Britain, Hungary, Hong Kong, India, Israel, Italy, Japan, Malaysia, Mexico, Netherlands, New Zealand, Norway, Poland, Romania, Russia, Singapore, Slovakia, Slovenia, South Africa, South Korea, Spain, Sweden, Switzerland, Taiwan, Thailand, Turkey, United Arab Emirates, USA, Vietnam.

Detailed addresses and further locations → www.sick.com