

ORTAGANTRY RAPIDE[®]



Integrated wheel design that folds with the frame for ease of transportation

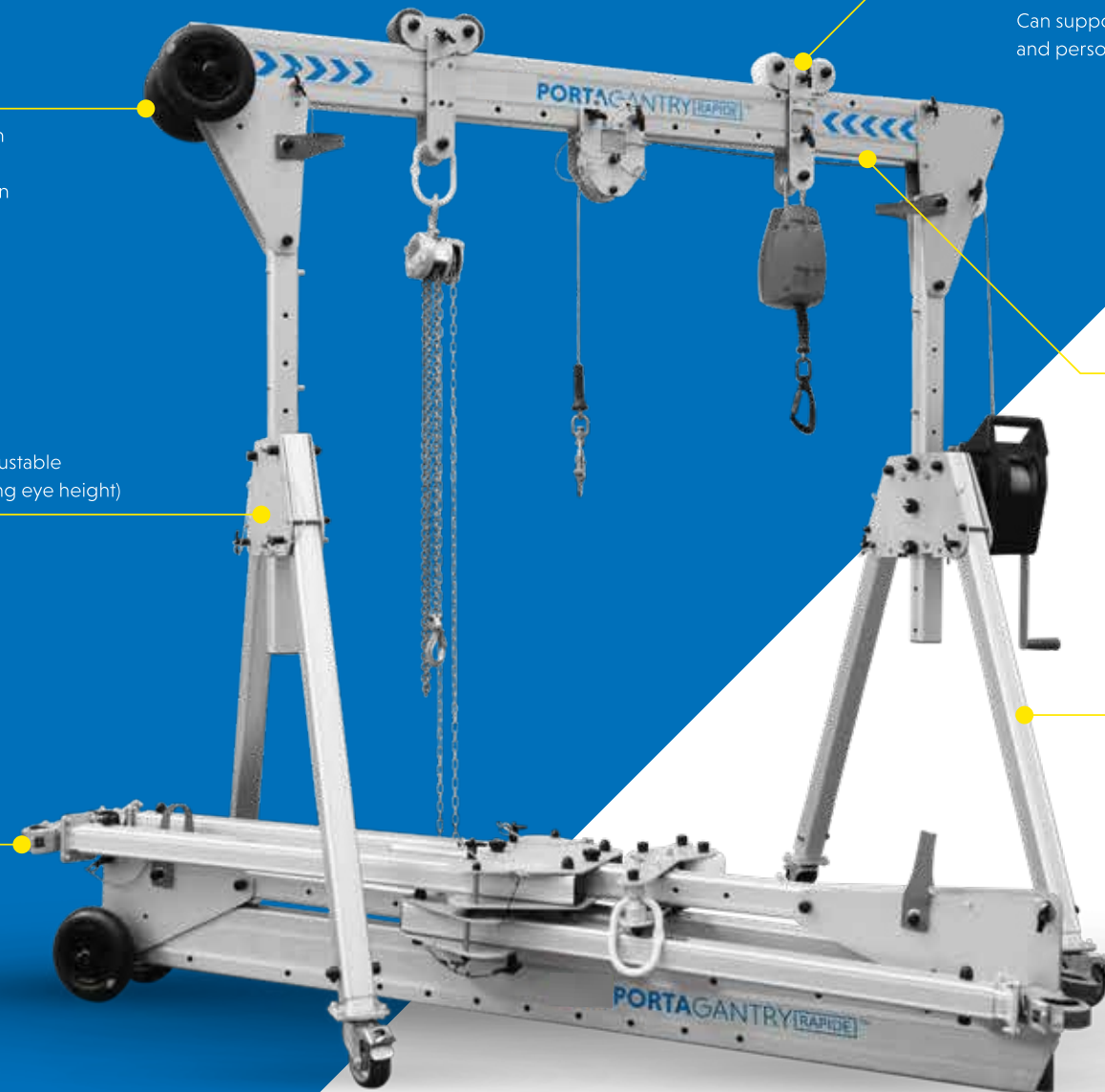
Available in 3 height-adjustable versions (up to 2.9m lifting eye height)

Anodised for increased corrosion resistance

Can support goods and personnel lifting

Can accommodate a range of beam lengths up to 4 metres

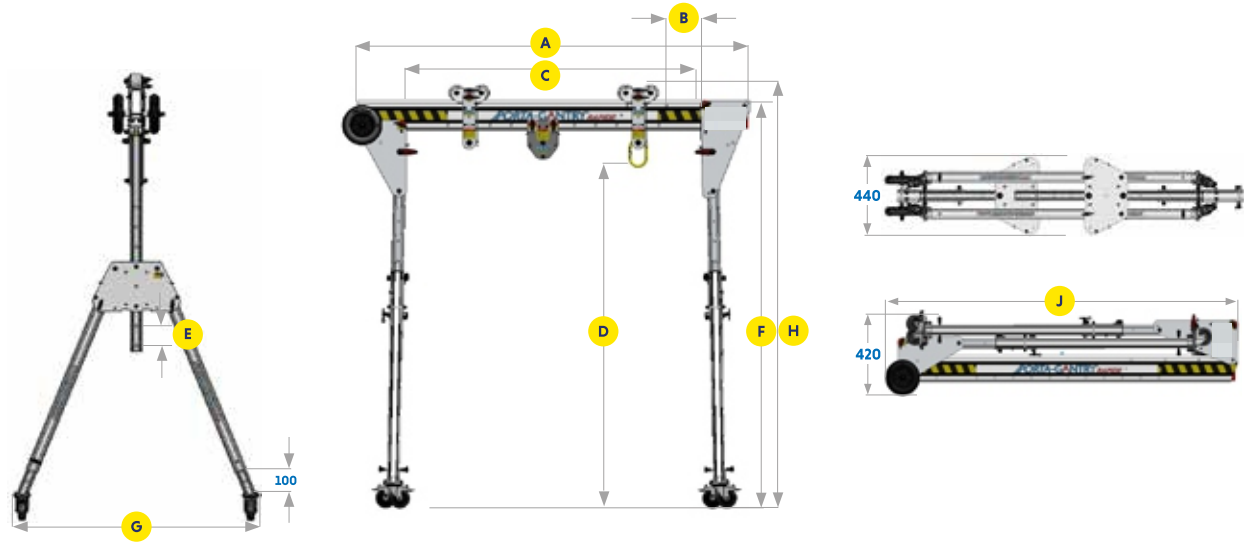
Engineered designs and bespoke sections reduce weight, providing lightweight portability



This product is patented

PORTAGANTRY RAPIDE® 250-500

- A** Beam length
- B** Beam adjustment
- C** Clear operating span
- D** Height to lifting eye
- E** Height increment
- F** Height to top of beam
- G** Width
- H** Height to top of roller
- J** Folding dimensions



Dimensions (mm)

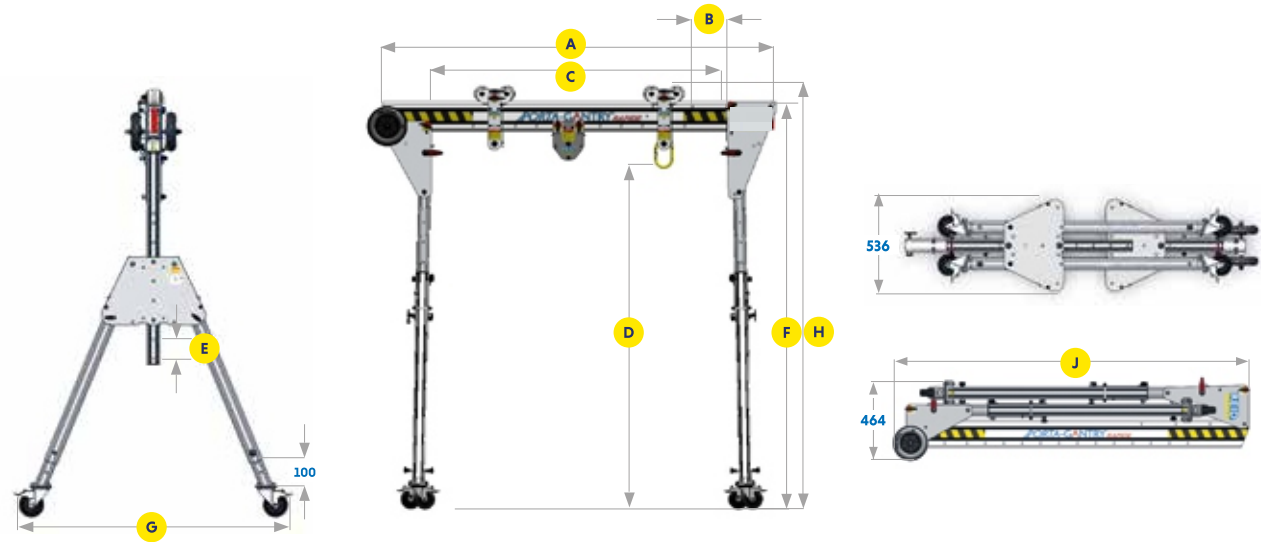
WLL

Unit Weight

	A Beam Length	B	CMin	CMax	DMin	DMax	E	FMin	FMax	G	HMin	HMax	J	Goods Capacity (kg)	Fall Arrest Capacity** No of Person(s)	Personnel Positioning** (kg)	(kg)
PRGS20	2000	2 x 200	1100	1500	1450	2050	6 x 100	1776	2376	1158	1856	2456	2080	500	3	250	33
PRGS23	2300	3 x 200	1200	1800									2380	400	2	200	35
PRGS40	4000	4 x 200	2700	3500									4080	250	1	125	40
PRGM20	2000	2 x 200	1100	1500	1454	2154	7 x 100	1780	2480	1215	1860	2560	2080	400	2	200	35
PRGM23	2300	3 x 200	1200	1800									2380				36
PRGM40	4000	4 x 200	2700	3500									4080	41			
PRGT20	2000	2 x 200	1100	1500	1928	2928	10 x 100	2254	3254	1586	2334	3334	2645	250	1	125	39
PRGT23	2300	3 x 200	1200	1800									2380				40
PRGT40	4000	4 x 200	2700	3500									4080				45

PORTAGANTRY RAPIDE® 500-1000

- A** Beam length
- B** Beam adjustment
- C** Clear operating span
- D** Height to lifting eye
- E** Height increment
- F** Height to top of beam
- G** Width
- H** Height to top of roller
- J** Folding dimensions



Dimensions (mm)

WLL

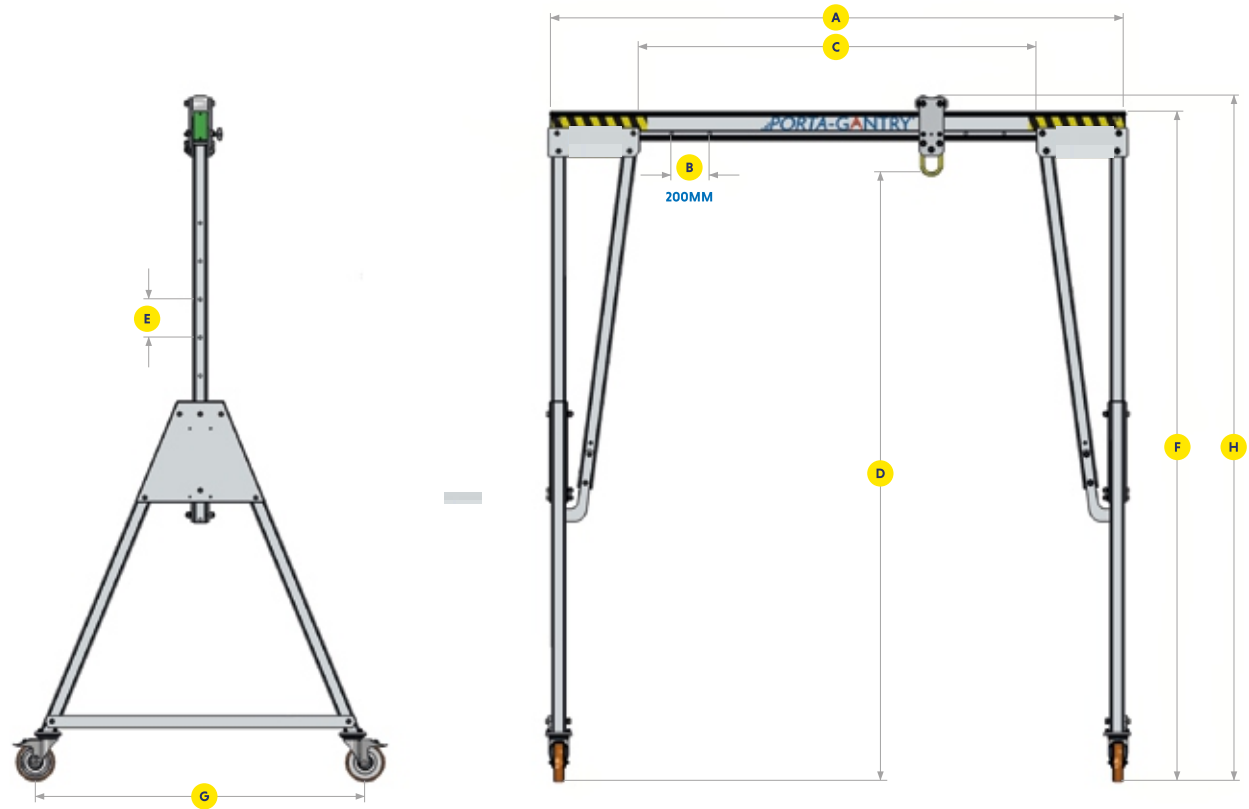
Unit Weight

	A Beam Length	B	CMin	CMax	DMin	DMax	E	FMin	FMax	G	HMin	HMax	J	Goods Capacity (kg)	Fall Arrest Capacity** No of Person(s)	Personnel Positioning** (kg)	(kg)
PRG1S20	2000	2 x 200	1102	1502	1430	1930	5 x 100	1822	2322	1270	1904	2404	2077	1000	3	500	45
PRG1S30	3000	3 x 200	1902	2502									3077	1000	3	500	53
PRG1S40	4000	3 x 200	1902	3502									4077	500	3	500	58
PRG1M20	2000	2 x 200	1102	1502	1740	2440	7 x 100	2061	2761	1484	2143	2843	2200	1000	3	500	49
PRG1M30	3000	3 x 200	1902	2502									3077	1000	3	500	54
PRG1M40	4000	3 x 200	1902	3502									4077	500	3	500	59
PRG1T20	2000	2 x 200	598	1050	1980	2880	9 x 100	2301	3201	1698	2383	3283	2830	1000	3	500	53
PRG1T30	3000	3 x 200	1417	2017									3077	1000	3	500	58
PRG1T40	4000	3 x 200	2385	2985									4077	500	3	500	62



PORTAGANTRY® 2000-5000

- A** Beam length
- B** Beam adjustment
- C** Clear operating span
- D** Height to lifting eye
- E** Height increment
- F** Height to top of beam
- G** Width
- H** Height to top of roller



Dimensions (mm)

	Frame size	D _{Max} Height to lifting eye	E Height increment	D _{Min} Height to lifting eye	F Height to top of beam	H _{Max} Height to top of roller	H _{Min} Height to top of roller	G Width	A-Frame weight (kg) (approx)	Trolley roller size	Castor Diam
2000	PGAS02000S	2355	5 x 150	1605	2675	2757	2007	1212	32	82	150
	PGAS02000M	2851	5 x 150	2101	3171	3253	2503	1429	37	82	150
	PGAS02000I	3188	5 x 200	2188	3499	3581	2581	1726	45	82	200
	PGAS02000T	4079	6 x 200	2879	4399	4481	3281	2011	50	82	200
	PGAS02000TC4	4527	6 x 200	3327	4847	4930	3730	2234	77	82	200
	PGAS02000TC3	5027	6 x 200	3827	5347	5430	4230	2557	82	82	200
	PGAS02000TC2	5527	8 x 200	3927	5848	5930	4330	2733	87	82	200
PGAS02000TC1	5829	9 x 200	4029	6149	6231	4431	2733	90	82	200	
3000	PGAS03000S	2410	5 x 150	1660	2730	2812	2062	1212	48	82	200
	PGAS03000M	2906	5 x 150	2156	3226	3308	2558	1429	53	82	200
	PGAS03000I	3188	5 x 200	2188	3499	3581	2581	1726	66	82	200
	PGAS03000T	4079	6 x 200	2879	4399	4481	3281	2011	72	82	200
	PGAS03000TC4	4527	6 x 200	3327	4847	4930	3730	2234	77	82	200
	PGAS03000TC3	5027	6 x 200	3827	5347	5430	4230	2557	82	82	200
	PGAS03000TC2	5527	8 x 200	3927	5848	5930	4330	2733	87	82	200
5000	PGAS05000I	3181	5 x 200	2181	3592	3717	2717	1736	88*	125	200
	PGAS05000T	4049	6 x 200	2849	4487	4612	3412	2021	99*	125	200
	PGAS05000TC4	4500	6 x 200	3300	4938	5062	3862	2234	90	125	200
	PGAS05000TC3	5000	6 x 200	3800	5438	5562	4362	2557	95	125	200

S & M versions also available as custom systems | WLL 5000kg dimensions systems are shown using the deeper 'Dfi section beam

Each portable gantry system comprises:

- 2 x A-Frames (or custom alternatives)
- Trolley - fully encapsulated for safety
- Beam lengths up to 9000mm (WLL dependent)

With standard beam lengths:

- 2500mm
- 3000mm
- 3920mm
- 4570mm
- 5500mm
- 6000mm
- 8400mm (D section Max)
- 9000mm

(NB Dim C = clear operating span = A - 920mm)