



# Electric Wire Rope Hoist

---

钢丝绳电动葫芦

## UMG Series

Electric Wire Rope Hoist 钢丝绳电动葫芦

### Product Advantages 产品优势



#### Accumulation and Innovation

厚积薄发，创新之作



#### Excellent performance, safe and reliable

卓越性能，安全可靠



#### Compact structure, excellent performance

结构紧凑，节能环保



#### Efficient transmission and power source

高效传动，效率之源

### Compact Structure, light self-weight, small wheel pressure and high comprehensive cost performance

FITTO's leading technology and innovation encapsulate efficiency and spearheading performance in compact dimensions. Its UMG series European Electric Wire Rope Hoists improve the coverage of the space by providing larger working range and decreasing the dead zone. FITTO is able to reduce our customers' costing by 10% during the design stage by reducing the required height and bearing capacity of the plant/factory.

### Save operating costs and green energy saving

The UMG series European Electric Wire Rope Hoists significantly reduces the weight of girder and machine, and at the same time decreases the power required. In comparison with conventional cranes, our product is able to save in average 30% of electricity. Noise pollution has also greatly improved.

### Selection of high quality of component with safety and reliability and durable in use

High quality components are the key of excellence. FITTO examines each components carefully to ensure the performance and quality of our products. The compact structure and superior performance are developed and designed for UMG series European Electric Wire Rope Hoists. By undergoing high precision grinding and surface hardening process, the durability and acoustic properties of the speed reduction gear is greatly enhanced. With up to 60% of electrical connection sustained rate, FITTO is robust and reliable.

### 结构紧凑，自重轻，轮压小，综合性价比高

FITTO领先的技术部件性能保证了产品最优的极限尺寸和设备高度，在保证高效性能前提下结构紧凑，同样的厂房和工作区域内，FITTO钢丝绳电动葫芦能够覆盖更大的作业范围，增大厂房内部面积的利用率，减少盲区。如果在厂房设计阶段就依据FITTO的产品系列参数进行设计，可以大大降低起重设备对厂房高度和承载载力的要求，为客户减少厂房投资10%以上，提升投资效率。

### 节约运行成本，绿色节能

FITTO配置UMG系列电动葫芦的欧式起重机可以明显降低主梁及整机自重，减少运行总功率，相对同样使用传统起重机的厂区，平均每年省电 超过30%。同时，FITTO UMG电动葫芦运行噪音优于普通标准，营造出更加安静的工作空间。

### 精选优质部件，安全可靠，经久耐用

FITTO高品质部件是产品卓越品质基础，从起升电机到减速器，从卷筒到钢丝绳，从安全可靠的电气元件到精益求精的结构件，FITTO认真对待每一个部件，因为只有各个部件拥有良好的性能和质量才能确保整机的性能和品质。结构紧凑，性能卓越的起升三合一机构专为FITTO系列电动葫芦研发设计，减速齿轮经过高精度研磨和齿面硬化处理，噪音低，持久耐用。起升电机接电持续率达到60%，既满足可生产过程中的频繁使用，又可以提高产品的可靠性。进口耐磨性能优异的制动盘，提供超过100万次的制动寿命。

## UMG Series

Electric Wire Rope Hoist 钢丝绳电动葫芦

### Standard Configuration 标准供货范围

#### DOUBLE SPEED LIFTING MOTOR WITH 1TON ~ 32TON STANDARD VARIABLE

1t~32t 标准双速起升电机；32t~100t 标配变频起升电机

##### SUPPLY VOLTAGE

供电电压

415V / 3P / 50Hz

##### CONTROL VOLTAGE

控制电压

48V

##### TRAVELING SPEED

运行速度

5 - 20m/min

##### PROTECTION GRADE

电机防护等级

IP54

##### INSULATION GRADE

绝缘等级

F

##### ENVIROMENT TEMPERATURE

使用环境温度

-20°C ~ +40°C

- Frequency lifting motor with 32ton to 100ton standard lifting electromagnetic disc brake and maintenance-free design  
起升电磁盘式制动器，免维护设计
- Lifting limit switch / Load lifting limitier  
起升限位开关 / 起重机限制器
- Lifting hook group with safety clasp  
吊钩组，带安全卡扣

### Precise positioning and efficient running can improve production efficiency

Standard lifting with double speed (optional frequency conversion) and frequency control of trolley ensure the efficient running of the crane and improve the logistics emciency in the workplace. The incorporation of frequency control technology, it effectively reduces the movement of load in the process of handling, which results in quicker and more accurate load positioning. Simultaneously it significantly reduces the impact created during startlng and braking, thus creates smoother and safer transits of goods.

### Safe and reliable, running monitoring and simple and convenient maintenance

FITTO patented technology is provided with various function such as process monitoring and protection which ensures safe and reliable operation of the crane. Its running monitoring unit records in detail of running condition of electric hoist, running status of motor and safety working cycle during each operation. It provides warning message in advance during the event of safety breach. All the data recorded to provide more timely and efficient maintenance.

### Modular design and multiple options can meets various demands of customer

The concept of modular designs has always been applied throughout the whole product design to ensure the standard and interchangeability of parts. It greatly reduces the maintenance costs of the products. All product series of FITTO company is provided with complete inventory of spare parts, and professional after-sales service.

### 精准定位，运行高效，提升生产效率

FITTO标配起升双速（变频可选），小车变频控制，确保了起重机的高效运行，车间物流效率的提升，确保客户的各项工作计划如期执行。通过变频技术的应用，可以有效减少载荷搬运过程中的晃动，使载荷更加快速，精准，同时，变频技术明显降低了启制动时的冲击，使整个搬运过程更加平稳，安全。

### 安全可靠，运行监控，维修简单

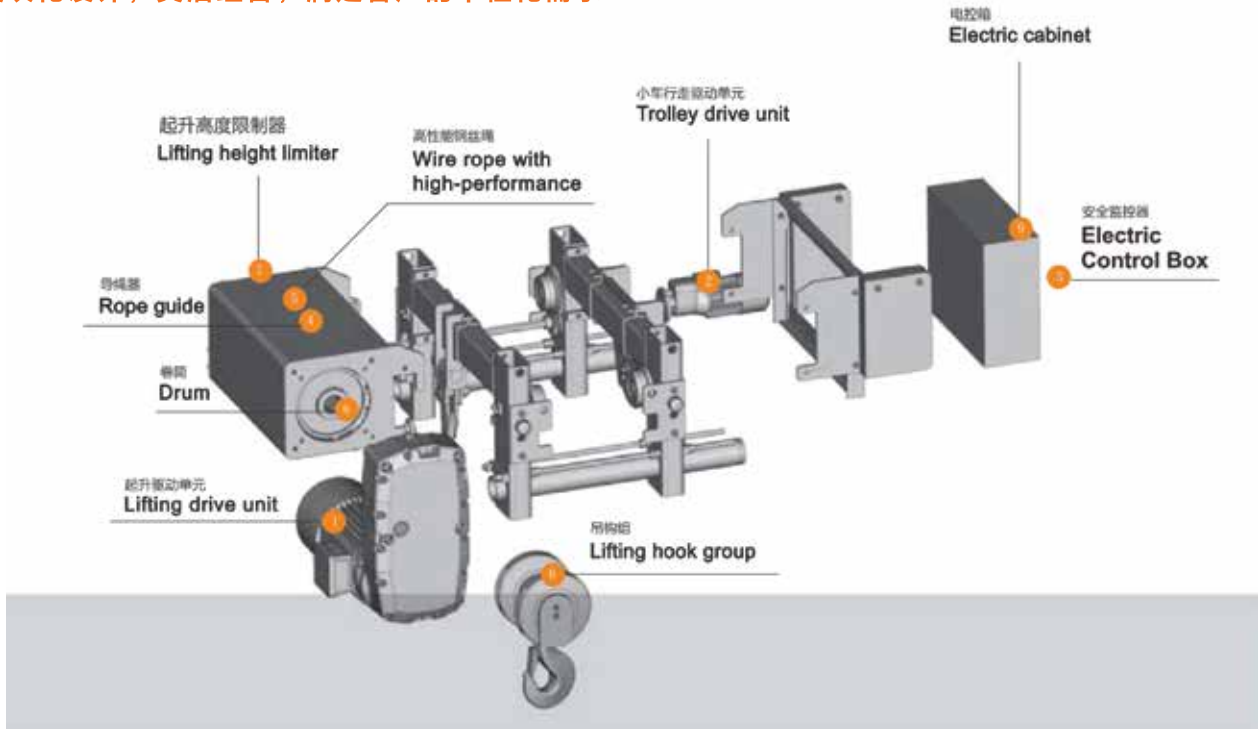
FITTO的专利技术产品有多种监控，保护功能，确保起重机运行安全和可靠，其运行监控单元可以对电动葫芦运行情况，电机运行状态和安全工作周期等进行详细的记录，并提前警告。所有的记录可以为维护保养提供数据，了解问题的根源，让维保更加及时和快捷。

### 模块化设计，多个选项，满足客户各种需求

FITTO模块化设计的理念一直贯穿于整个产品的设计，保证了部件的标准性和互换性，大大降低了产品的维护成本，公司所有的产品系列都有完整的零配件库存，专业的服务队伍确保客户及时提供售后服务，解决客户购买设备之后的后顾之忧。

## Modular design, flexible, combination Meeting the personalized needs of customer

模块化设计，灵活组合，满足客户的个性化需求



1



### LIFTING DRIVE UNIT

- High-performance, large driving force and compact structure
- Various components are running efficiently to ensure high efficiency
- Low energy consumption, low noise and eco-friendly design
- Smooth running, low impact, safe and reliable
- No-wear design, long service life
- Electrical connection sustained rate is up to 60% to meet the demands of the high frequency lifting
- Service life to asbestos-free brake can be up to one million times
- High protection grade to brake can meet the requirements of severe environment

### 起升驱动单元

- 减速箱，起升电机和制动器三合一设计
- 起升力矩大，体积小，运行平稳，冲击力小
- 噪音低，能耗小，使用寿命长
- 接电持续率达60%，满足高频率搬运的需求
- 制动器不含石棉，正常使用寿命可达100万次
- 制动器完全封闭，防护等级高，满足在恶劣环境下工作要求
- 制动扭矩为电机额定扭矩的2倍
- 可以选配手动释放，编码器，定制性强

2



### TROLLEY DRIVE UNIT

- Trinity of high-performance motor, reduction gearbox and brake
- Compact structure, excellent performance
- Low energy consumption, low noise and eco-friendly design
- Variable frequency control, smooth running, low impact and meeting requirements of a variety of speed
- Asbestos-free brake disc and its normal service life can be up to one million times
- Electrical connection sustained rate is up to 60% to meet the demands of the high frequency lifting
- No-wear design, maintenance-free, long service life

### 小车行走驱动单元

- 三合一小车驱动单元，结构紧凑
- 运行平稳
- 铝合金壳体，散热快，寿命长
- 变频控制，噪音低
- 启动和制动平稳，冲击力小
- 制动盘不含石棉
- 正常使用寿命可达100万次

3



### FITTO SAFETY MONITORS

- Intelligent monitoring system, safe and practical, friendly human-machine interface and easy operation
- Can monitoring record the running time of the hoist and the numbers of overload and other informaton
- Regular maintenance reminders and friction plate wear alarm
- Achieve optional configuration of double hoist synchronous lifting operation and others

### 安全监控器

- FITTO起重智能监控系统，安全实用
- 人机友好界面，操作简单
- 可监控记录葫芦运行时间
- 超载次数等信息，便于维护
- 定期维护提醒摩擦片磨损报警功能
- 智能接口，可以扩展功能



4



## ROPE GUIDE

- Light weight, good wear resistance, to reduce the wear of wire rope effectively
- Prevent wire rope from skipping and losing to off-groove and safety first

## 导绳器

- 采用工程塑料（或球墨铸铁）制成
- 重量轻，耐磨性好，有效减少钢丝绳的磨损
- 防止钢丝绳跳绳，松绳脱槽等

5



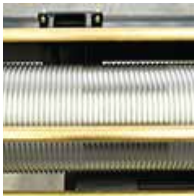
## WIRE ROPE WITH HIGH-PERFORMANCE

- The imported wire rope of high performance with tensile strength up to 2160MPa
- The surface with galvanized processing for corrosion prevention effectively
- With good flexibility to ensure wear resistance of the wire rope and prolong its service life

## 高性能钢丝绳

- 进口高性能钢丝绳，抗拉强度达到2160MPa
- 表面镀锌处理，可有效防腐
- 良好的柔韧性，保证钢丝绳耐磨损，延长寿命

6



## DRUM

- Use the Q345 type seamless steel tube as raw material and process it by numbers of working procedure
- Advanced processing methods to ensure concentricity of the drum
- The depth of rope groove is in compliance with the FEM standard
- High-strength pressing plates and bolts are fastened on the end of the wire rope to ensure the safety of lifting

## 卷筒

- 采用Q345材质的无缝钢管作为原材料
- 经过层层工序加工，先进的加工手段，保证卷筒同心度，绳槽深度符合FEM标准
- 高强度压板和螺栓，紧固钢丝绳末端，保证起升安全性

7



## LIFTING HEIGHT LIMITER

- Freely adjustable screw lifting height limiter with high precision, wide adjustment range, safe and reliable
- Multiple-contact configurations can effectively achieve the function of transition with low and high speed and the stop during the rise and fall

## 起升高度限制器

- 可自由调节的螺杆式起升高度
- 限位器精度高，调节范围广，安全可靠
- 多触点的配置可有效实现上升和下降时的快、慢速的切换及停止功能

8



## LIFTING HOOK GROUP

- DIN standard of lifting hook with safety clasp and wire rope sheath ergonomic design
- Forged by the high-strength material of T grade
- Accompanied with nondestructive test certification of lifting hook randomly

## 吊钩组

- DIN标准吊钩，配有安全扣及钢丝绳护套
- 人机工程学设计
- 丁级高强度材质锻造而成
- 随机附有吊钩无损探伤合格证

9



## ELECTRIC CABINET

- Rational design, convenient maintenance, decreasing running cost
- Professional and high quality of electrical components, safe and reliable
- Multiple safety protection devices to ensure equipment safe
- Protection grade IP55
- Clear identification to easy for trouble removal

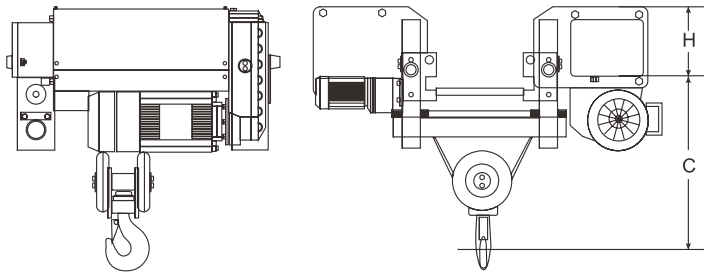
## 电控箱

- 设计合理，检修方便，多种安全保护装置，保证设备安全操作运行
- 元器件排线整齐划一，线号明确，便于故障排除
- 选项多，可以满足不同需求
- 可选不锈钢箱体，散热风扇，加热器温度监控等

## UMG Series

### SINGLE BEAM LOW HEADROOM WIRE ROPE HOIST

### 单梁钢丝绳电动葫芦



#### TECHNICAL PARAMETERS

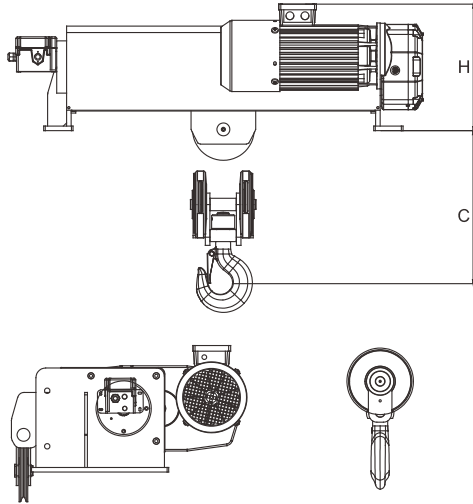
起重量 Hoist Capacity	型号 Model	起升高度 Lifting Height (m)	起升速度 Lifting Speed (m/min)	起升功率 Lifting Motor (kw)	运行速度 Traveling Speed (m/min)	运行功率 Traveling Motor (kw)	起升工作制 Lifting Grade		运行工作制 Runing Grade		H	C	适应轨宽 Beam Width
							FEM	ISO	FEM	ISO			
3200kg	UMG-3.2S	6	5/0.8	3.2/0.45	5-20	0.64	2M	M5	3M	M6	188	700	150-300
		9											
		12											
5000kg	UMG-5.0S	6	5/0.8	6.1/1	5-20	0.64	2M	M5	2M	M5	178	700	200-350
		9											
		12											
6300kg	UMG-6.3S	6	5/0.8	6.1/1	5-20	0.64	2M	M5	2M	M5	178	700	200-350
		9											
		12											
8000kg	UMG-8.0S	6	5/0.8	9.5/1.5	5-20	0.96	2M	M5	3M	M6	325	750	200-410
		9											
		12											
10000kg	UMG-10.0S	6	5/0.8	9.5/1.5	5-20	0.96	2M	M5	2M	M5	325	750	200-410
		9											
		12											
12500kg	UMG-12.5S	6	5/0.8	12.5/2	5-20	0.96	1M	M4	1M	M4	325	750	200-410
		9											
		12											

Please contact FITTO for more parameters and products info 更多参数及非标产品请与 FITTO 公司联系

## UMG Series

FIXED TYPE WIRE ROPE HOIST

货梯专用电动葫芦



### TECHNICAL PARAMETERS

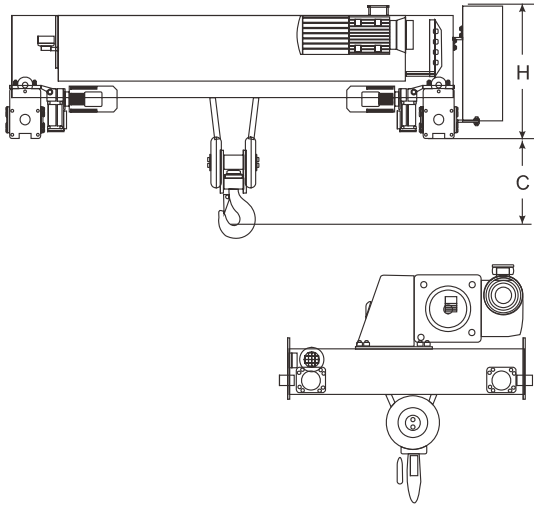
起重量 Hoist Capacity	型号 Model	起升高度 Lifting Height (m)	起升速度 Lifting Speed (m/min)	起升功率 Lifting Motor (kw)	起升工作制 Lifting Grade		H	C
					FEM	ISO		
3200kg	UMG-3.2F	6	10/1.6	6.1/1	2M	M5	400	650
		9						
		12						
3750kg	UMG-3.75F	6	10/1.6	6.1/1	1M	M4	400	650
		9						
		12						
6300kg	UMG-6.3F	6	10/1.6	9.5/1.5	2M	M5	510	780
		9						
		12						

Please contact FITTO for more parameters and products info 更多参数及非标产品请与 FITTO 公司联系

## UMG Series

### DOUBLE GIRDER WIRE ROPE HOIST

### 双梁钢丝绳电动葫芦



#### TECHNICAL PARAMETERS

起重量 Hoist Capacity	型号 Model	起升高度 Lifting Height (m)	起升速度 Lifting Speed (m/min)	起升功率 Lifting Motor (kw)	运行速度 Traveling Speed (m/min)	运行功率 Traveling Motor (kw)	起升工作制 Lifting Grade		运行工作制 Runing Grade		H	C	最小轨距 Min. Gauge
							FEM	ISO	FEM	ISO			
3200kg	UMG-3.2D	6	5/0.8	3.2/0.45	5-20	0.64*2	2M	M5	3M	M6	475	450	1200
		9	5/0.8	3.2/0.45	5-20	0.64*2	2M	M5	3M	M6	475	450	1200
		12	5/0.8	3.2/0.45	5-20	0.64*2	2M	M5	3M	M6	475	450	1400
5000kg	UMG-5.0D	6	5/0.8	6.1/1	5-20	0.64*2	2M	M5	2M	M5	475	490	1200
		9	5/0.8	6.1/1	5-20	0.64*2	2M	M5	2M	M5	475	490	1200
		12	5/0.8	6.1/1	5-20	0.64*2	2M	M5	2M	M5	475	490	1400
6300kg	UMG-6.3D	6	5/0.8	6.1/1	5-20	0.64*2	2M	M5	2M	M5	475	490	1200
		9	5/0.8	6.1/1	5-20	0.64*2	2M	M5	2M	M5	475	490	1200
		12	5/0.8	6.1/1	5-20	0.64*2	2M	M5	2M	M5	475	490	1400
8000kg	UMG-8.0D	6	5/0.8	9.5/1.5	5-20	0.96*2	2M	M5	3M	M6	562	580	1200
		9	5/0.8	9.5/1.5	5-20	0.96*2	2M	M5	3M	M6	562	580	1400
		12	5/0.8	9.5/1.5	5-20	0.96*2	2M	M5	3M	M6	562	580	1700
10000kg	UMG-10.0D	6	5/0.8	9.5/1.5	5-20	0.96*2	2M	M5	2M	M5	562	580	1200
		9	5/0.8	9.5/1.5	5-20	0.96*2	2M	M5	2M	M5	562	580	1400
		12	5/0.8	9.5/1.5	5-20	0.96*2	2M	M5	2M	M5	562	580	1700




# Electric Wire Rope Hoist


起重量 Hoist Capacity	型号 Model	起升高度 Lifting Height (m)	起升速度 Lifting Speed (m/min)	起升功率 Lifting Motor (kw)	运行速度 Traveling Speed (m/min)	运行功率 Traveling Motor (kw)	起升工作制 Lifting Grade		运行工作制 Runing Grade		H	C	最小轨距 Min. Gauge
							FEM	ISO	FEM	ISO			
12500kg	UMG-12.5D	6	5/0.8	12.5/2	5-20	0.96*2	2M	M5	2M	M5	562	580	1200
		9	5/0.8	12.5/2	5-20	0.96*2	2M	M5	2M	M5	562	580	1400
		12	5/0.8	12.5/2	5-20	0.96*2	2M	M5	2M	M5	562	580	1700
16000kg	UMG-16.0D	6	4/0.6	16/2.6	5-20	0.96*2	2M	M5	2M	M5	760	890	1400
		9	4/0.6	16/2.6	5-20	0.96*2	2M	M5	2M	M5	760	890	1400
		12	4/0.6	16/2.6	5-20	0.96*2	2M	M5	2M	M5	760	890	1700
20000kg	UMG-20.0D	6	4/0.6	16/2.6	5-20	0.96*2	2M	M5	2M	M5	760	890	1400
		9	4/0.6	16/2.6	5-20	0.96*2	2M	M5	2M	M5	760	890	1400
		12	4/0.6	16/2.6	5-20	0.96*2	2M	M5	2M	M5	760	890	1700
25000kg	UMG-25.0D	6	3.3/0.8	20.0/5.0	5-20	1.1*2	3M	M6	3M	M6	990	900	1700
		9	3.3/0.8	20.0/5.0	5-20	1.1*2	3M	M6	3M	M6	990	900	2000
		12	3.3/0.8	20.0/5.0	5-20	1.1*2	3M	M6	3M	M6	990	900	2400
32000kg	UMG-32.0D	6	3.3/0.8	20.0/5.0	5-20	1.1*2	2M	M5	2M	M5	990	900	1700
		9	3.3/0.8	20.0/5.0	5-20	1.1*2	2M	M5	2M	M5	990	900	2000
		12	3.3/0.8	20.0/5.0	5-20	1.1*2	2M	M5	2M	M5	990	900	2400
40000kg	UMG-40.0D	6	0.8~4.9	38	5-20	1.5*2	2M	M5	2M	M5	990	980	2000
		9	0.8~4.9	38	5-20	1.5*2	2M	M5	2M	M5	990	980	2200
		12	0.8~4.9	38	5-20	1.5*2	2M	M5	2M	M5	990	980	2500
50000kg	UMG-50.0D	6	0.53~3.2	38	5-20	1.5*2	2M	M5	2M	M5	990	1060	2200
		9	0.53~3.2	38	5-20	1.5*2	2M	M5	2M	M5	990	1060	2700
		12	0.53~3.2	38	5-20	1.5*2	2M	M5	2M	M5	990	1060	3100


Please contact FITTO for more parameters and products info 更多参数及非标产品请与 FITTO 公司联系




## **UMMA Engineering (M) Sdn Bhd**

 No. 68, Jalan Lagenda 3, Lagenda Industrial Park,  
Taman Lagenda Putra, 81000 Kulai, Johor, Malaysia.

 +607-660 0566

 +6012-723 9383

 +607-664 0516

 [enquiry@umma.com.my](mailto:enquiry@umma.com.my)

[www.umma.com.my](http://www.umma.com.my)