

# Vertical Tripod Turnstile



IDG-111A / IDG-111SA / IDG-111M

## KEY BENEFITS

Security  
Reliability  
Stabilization  
Easy Installation  
Low Noise

Firmness  
Long Working Life  
High Working Intensity  
Convenient Handling  
Elegant Appearance

Intelligent Control  
Easy Maintenance  
Rapid Passing Time  
Bidirectional Pass  
Long Distance Control

### IDG-111A

- + Stainless steel Housing
- + Bi-direction pass
- + Arms auto drop when power off
- + Arms auto rise up when power on and auto stop on obstacle
- + Traffic light indicator
- + Wigen 26/Dry contact, is compatible with smart card for access control
- + Photoelectric inspection
- + If the passenger does not pass in valid time, the passage will be lock up. And the valid passing time can be set up by operator
- + Passenger counters (Optional)

### IDG-111SA

- + Exquisite rotating plate and a self-lock mechanism
- + Passable for bi-direction
- + Self-Locking within 5 seconds
- + Arm auto dropping when power off
- + Avoid unauthorized access
- + Counter output
- + With drop-off arm
- + Fire alarm emergency signal output
- + Input interfaces available for left access(L), right access(R), emergency(EM), GND

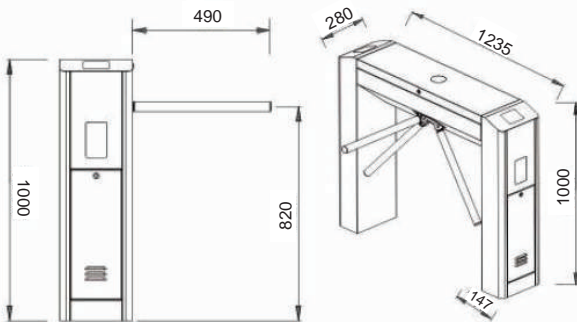
### IDG-111M

- + Arms can only rotate by single direction, but the direction can be changed easily inside
- + No electric structure

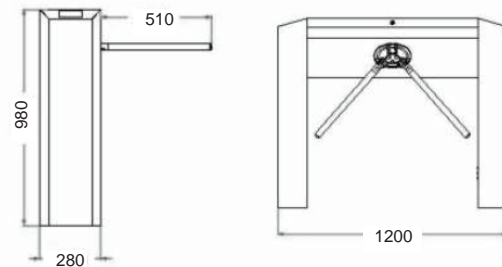
## TECHNICAL DATA

MODEL	IDG-111A	IDG-111SA	IDG-111M
Manual, Semi or Full-automatic	Full-automatic	Semi-automatic	Manual
Material of Housing	304 Stainless Steel	304 Stainless Steel	304 Stainless Steel
Thickness of Housing	1.50mm	1.50mm	1.50mm
Dimensions of Housing (LxWxHmm)	1235x280x1000	1235x280x1000	1200x280x980
Length of Pole (Out of Housing)	490mm	490mm	510mm
Net Weight	70kg	70kg	60kg
Max Load-bearing of Pole	80kg	80kg	70kg
Driving Force of Pole	3kg	3kg	3kg
Rotating Direction	Double Direction	Double Direction	Single Direction
Power Supply	220V ± 10%, 110V ± 10%	220V ± 10%, 110V ± 10%	-
Fequency	50/60HZ	50/60HZ	-
Working Voltage of Motor	DC12V	DC24V	-
Rated Power	50W	36W	-
Driving Motor	Brush DC Motor	Brushless DC Motor	-
Input Interface	DC12V electrical level signal, more than 10ma, or DC12V impulse signal driving current, more 10mA	Dry contact with the pulse between 200ms~500ms	-
Transit Speed	25-32 persons/min	30-45 persons/min	20-35 persons/min
Working Temperature	-25°C - 55°C	-25°C - 55°C	-25°C - 55°C
Working Environment	Indoor / Outdoor (Shelter)	Indoor / Outdoor (Shelter)	Indoor / Outdoor (Shelter)
Relative Humidity	≤95%	≤95%	≤90% no condensation

## DIMENSIONS



IDG-111A / IDG-111SA



IDG-111M