

# E400 Series

## One of the New Generation of JLG Electrics

[www.jlg.com/E400](http://www.jlg.com/E400)



More Models,  
More Choices and  
More Versatility  
with JLG...  
**WHY GO  
ANYWHERE  
ELSE?**

40 ft platform height articulating electric powered boom lift.

Non-marking tires, zero emissions and quiet operation make the E400 Series the machine of choice for indoor applications.

The JibPLUS™ boom feature allows access in and around confined work areas to increase productivity.

The 4 ft 11 in narrow chassis model provides the versatility to maneuver in narrow aisles and confined areas.

ATC (Automatic Traction Control) adds to the versatility of the E400 Series by sensing and providing positive traction on uneven surfaces.

JLG's QuikCharge GenSet option provides automatic charging for continuous machine operation.

## Versatile Electric Boom Lifts You Can Take Almost Anywhere!

E400 Series articulating boom lifts set a new standard for all electric powered aerial work platforms, delivering greater value along with quiet operation, elimination of common emissions and a low cost, high value return on investment.

JLG, the world leader in the design of high productivity aerial work platforms, delivers a full range of features not available anywhere else.

Features include the exclusive JibPLUS™. No matter where the work is, the JibPLUS™ delivers the right position with its ability to move side-to-side as well as up and down.

When you combine the JibPLUS™ benefits with our Automatic Traction Control (ATC) off-slab mobility advantage, you get more precise positioning in hard-to-reach areas on both improved and non-improved surfaces.



# Generation E by JLG...See and Feel the Difference!

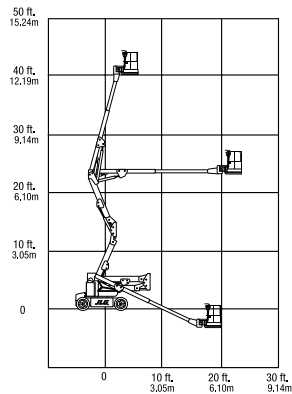
The new generation of electric powered boom lifts from JLG offers machines with platform heights from 30 ft to 60 ft, including the E400 Series with standard JibPLUS™ and a 4 ft 11 in narrow chassis model available.

JLG's 30+ years of design and manufacturing experience is evident in this new generation of machines with more

features designed to increase productivity, allowing for customization of the machines to meet specific work requirements.

Options on Generation E machines like QuikCharge GenSet, oscillating axle, and JibPLUS™ set this new generation of machines above the rest.

## JLG Model E400A & E400A narrow



### REACH SPECIFICATIONS

Platform Height	40 ft (12.19 m)
Horizontal Outreach	22 ft 5 in (6.83 m)
Up and Over Height	21 ft 6 in (6.55 m)
Swing	360 Degrees Non-Continuous
Platform Capacity	500 lb (230 kg)
Platform Rotator	180 Degrees Hydraulic

### DIMENSIONAL DATA

A. Platform Size	30 in x 48 in (.76 m x 1.22 m)
B. Overall Width (E400A)	5 ft 9 in (1.75 m)
(E400A narrow)	4 ft 11 in (1.50 m)
C. Tailswing (E400A)	Zero
(E400A narrow)	4 in (10 cm)
D. Stowed Height (E400A)	6 ft 7 in (2.0 m)
(E400A narrow)	6 ft 5.75 in (1.97 m)
E. Stowed Length	22 ft (6.7 m)
F. Wheelbase	6 ft 7 in (2.0 m)
G. Ground Clearance (E400A)	8.5 in (22 cm)
(E400A narrow)	5 in (13 cm)
Gross Vehicle Weight* (E400A)	12,100 lb (5488 kg)
(E400A narrow)	13,100 lb (5942 kg)
Ground Bearing Pressure (E400A)	80 psi (5.6 kg/cm <sup>2</sup> )
(E400A narrow)	95 psi (6.7 kg/cm <sup>2</sup> )

### CHASSIS

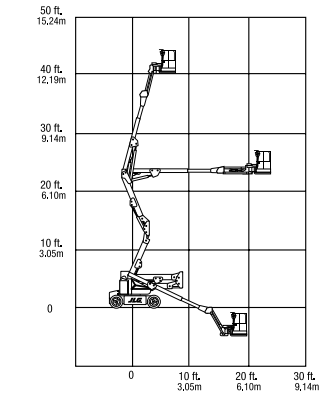
Drive Speed (E400A)	3.2 mph (5.2 kph)
(E400A narrow)	3.0 mph (4.8 kph)
Gradeability	30%
Turning Radius (Inside) (E400A)	2 ft (0.6 m)
(E400A narrow)	2 ft 10 in (0.86 m)
Turning Radius (Outside)	10 ft 4 in (3.15 m)
Tire Size / Type (E400 A)	240/55-17.5 pneumatic
(E400A narrow)	22 x 6 x 17.75 front, 25 x 7 x 12 rear non-marking

### POWER SOURCE

Electrical System	48V DC
Batteries	8 x 6V 370 amp/hr
Drive Motors	Dual Electric Traction
Brakes	Automatic Spring Applied Multiple Discs
Hydraulic Motor/Pump	Permanent Magnet/Gear Pump
Hydraulic Reservoir	4 gal (15.2 L)
Generator Set (M400A, M400A narrow)	Fully Automatic 45 amp
	Yanmar 6 hp Air-Cooled Engine
Engine Fuel Tank (M400A, M400A narrow)	4 gal (15.2 L)

\*Certain options or country standards will increase weight.

## JLG Model E400AJP & E400AJP narrow



### REACH SPECIFICATIONS

Platform Height	40 ft (12.19 m)
Horizontal Outreach	22 ft 5 in (6.83 m)
Up and Over Height	21 ft 6 in (6.55 m)
Swing	360 Degrees Non-Continuous
Platform Capacity	500 lb (230 kg)
Platform Rotator	180 Degrees Hydraulic

### DIMENSIONAL DATA

A. Platform Size	30 in x 48 in (.76 m x 1.22 m)
B. Overall Width (E400AJP)	5 ft 9 in (1.75 m)
(E400AJP narrow)	4 ft 11 in (1.50 m)
C. Tailswing (E400AJP)	Zero
(E400AJP narrow)	4 in (10 cm)
D. Stowed Height (E400AJP)	6 ft 7 in (2.0 m)
(E400AJP narrow)	6 ft 5.75 in (1.97 m)
E. Stowed Length	22 ft 0 in (6.7 m)
F. Wheelbase	6 ft 7 in (2.0 m)
G. Ground Clearance (E400AJP)	8.5 in (22 cm)
(E400AJP narrow)	5 in (13 cm)
Gross Vehicle Weight* (E400AJP)	13,700 lb (6214 kg)
(E400AJP narrow)	14,900 lb (6759 kg)
Ground Bearing Pressure (E400AJP)	80 psi (5.6 kg/cm <sup>2</sup> )
(E400AJP narrow)	185 psi (13.0 kg/cm <sup>2</sup> )

### CHASSIS

Drive Speed (E400AJP)	3.2 mph (5.2 kph)
(E400AJP narrow)	3.0 mph (4.8 kph)
Gradeability	30%
Turning Radius (Inside) (E400AJP)	2 ft (0.6 m)
(E400AJP narrow)	2 ft 10 in (0.86 m)
Turning Radius (Outside)	10 ft 4 in (3.15 m)
Tire Size / Type (E400AJP)	240/55-17.5 pneumatic
(E400AJP narrow)	22 x 6 x 17.75 front, 25 x 7 x 12 rear non-marking

### POWER SOURCE

Electrical System	48V DC
Batteries	8 x 6V 370 amp/hr
Drive Motors	Dual Electric Traction
Brakes	Automatic Spring Applied Multiple Discs
Hydraulic Motor/Pump	Permanent Magnet/Gear Pump
Hydraulic Reservoir	4 gal (15.2 L)
Generator Set (M400AJP, M400AJP narrow)	Fully Automatic 45 amp
	Yanmar 6 hp Air-Cooled Engine
Engine Fuel Tank (M400AJP, M400AJP narrow)	4 gal (15.2 L)

\*Certain options or country standards will increase weight.

## THE JLG 1 & 5 WARRANTY

JLG Industries, Inc. backs our products with our exclusive "1 & 5" Warranty. We provide coverage on all products for one (1) full year, and cover all specified major structural components for five (5) full years. Due to continuous product improvements, we reserve the right to make specification and/or equipment changes without prior notification. This machine meets or exceeds applicable OSHA Regulations in 29 CFR 1910.67, 29 CFR 1926.453, and ANSI A92.5-1992, as originally manufactured for intended applications.

FORM NO: SS-E400-9/00-100M  
PART NO: 3131113 Printed in the USA  
R02012

[www.jlg.com/E400](http://www.jlg.com/E400)



JLG Industries, Inc.  
1 JLG Drive, McConnellsburg, PA 17233-9553  
Telephone 717-485-5161  
Toll free in US 877-JLG-LIFT  
Fax 717-485-6417